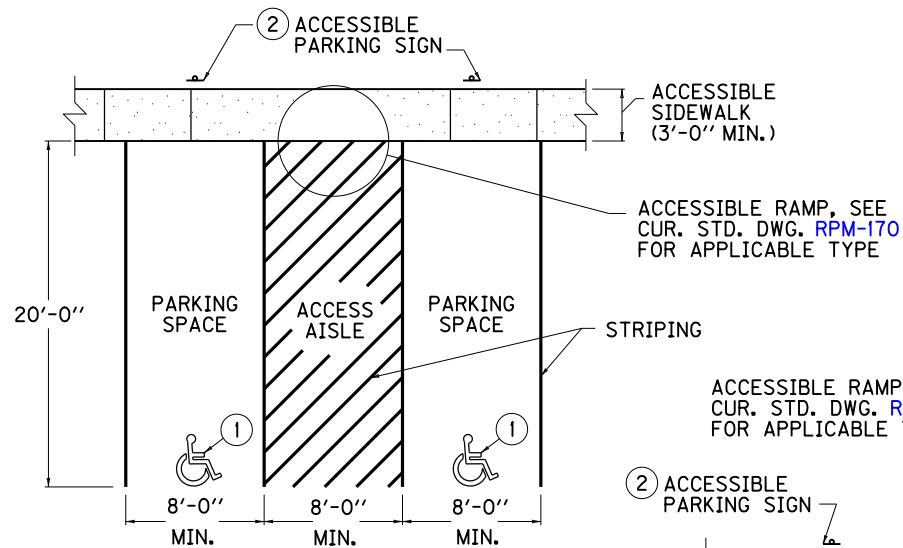
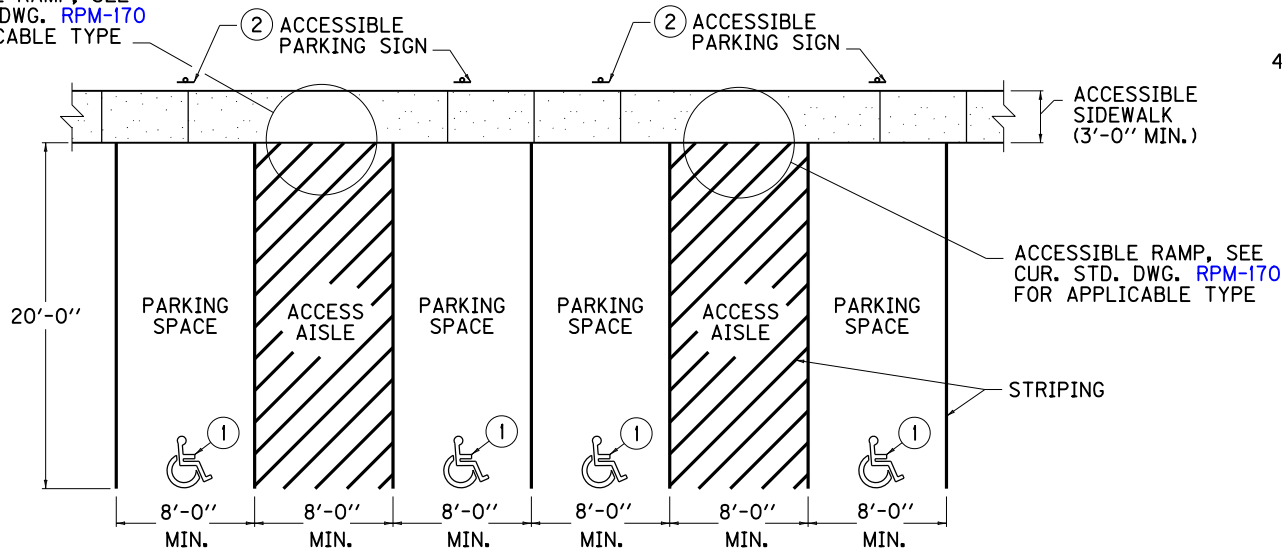


PLAN VIEW OF ONE ACCESSIBLE PARKING SPACE

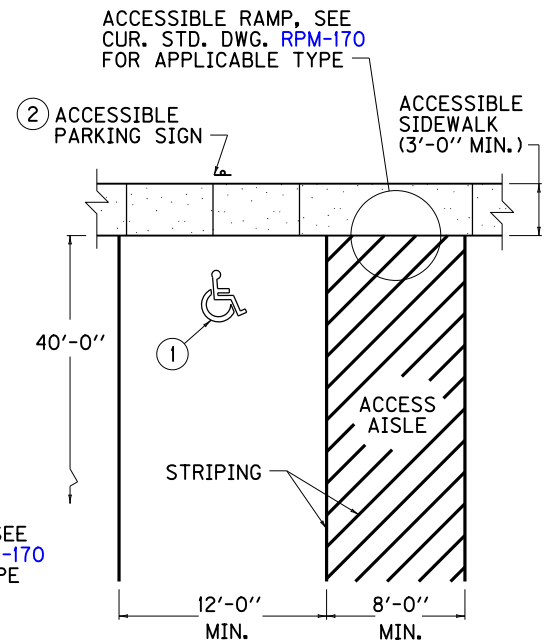


PLAN VIEW OF TWO ACCESSIBLE PARKING SPACES

ACCESSIBLE RAMP, SEE CUR. STD. DWG. RPM-170 FOR APPLICABLE TYPE



PLAN VIEW OF MULTIPLE ACCESSIBLE PARKING SPACES



PLAN VIEW OF BUS ACCESSIBLE PARKING SPACE

~ NOTES ~

- ① INTERNATIONAL SYMBOL OF ACCESSIBILITY.
- ② INTERNATIONAL SYMBOL OF ACCESSIBILITY WITH "VAN ACCESSIBLE" SIGN MOUNTED BELOW.
3. SEE ELSEWHERE IN THE PLANS FOR APPLICABLE ACCESSIBLE SIGNING DETAILS.
4. SEE ELSEWHERE IN THE PLANS FOR STRIPING DETAILS.

USE WITH CUR. STD. DWG. RPM-170

KENTUCKY DEPARTMENT OF HIGHWAYS		
ACCESSIBLE PARKING SPACE DETAILS		
STANDARD DRAWING NO. RPX-100-03		
SUBMITTED	<i>William P. Gullett</i> DIRECTOR, DIVISION OF DESIGN	DATE 12-01-15
APPROVED	<i>[Signature]</i> STATE HIGHWAY ENGINEER	DATE 12-01-15