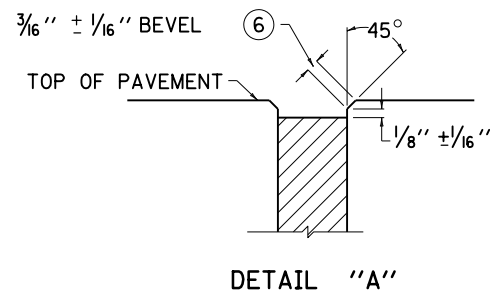


**JOINT SHAPE FOR
TRANSVERSE SAWED CONTRACTION JOINT**

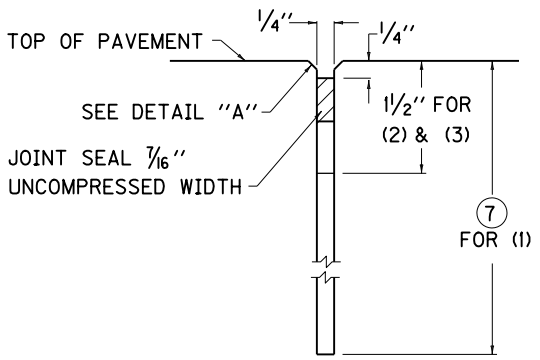
JOINT SPACING	DIMENSIONS			SEAL WIDTH UNCOMPRESSED
	A	B	C	
15'-0"	3/8"	2"	1/8" TO 3/8"	1/16"
25'-0"	1/2"	2"	1/8" TO 1/2"	1"
50'-0"	5/8"	2"	1/8" TO 5/8"	1/4"



DETAIL "A"

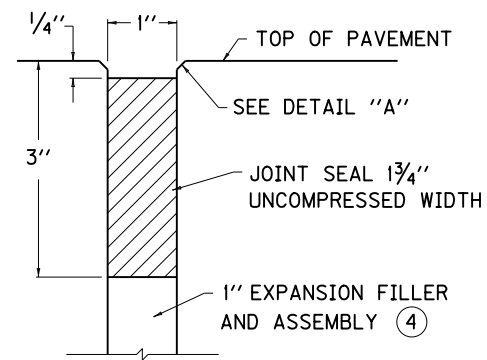
~ NOTES ~

1. PAYMENT FOR ALL WORK SHALL BE INCIDENTAL TO THE UNIT PRICE BID PER SQ. YD. OF PAVEMENT.
2. TOLERANCES ON ALL JOINT WIDTH DIMENSIONS PLUS OR MINUS 1/16".
3. INSTALLATION OF PREFORMED POLYCHLOROPRENE SEALS (NEOPRENE) SHALL BE IN ACCORDANCE WITH SECTION 501.03.18 OF THE CURRENT STANDARD SPECIFICATIONS FOR ROAD AND BRIDGE CONSTRUCTION, CURRENT EDITION, EXCEPT TRANSVERSE EXPANSION JOINTS SHALL RECEIVE PREFORMED SEALS IN ACCORDANCE WITH THIS DRAWING.
- ④ THE REMAINING JOINT SHALL BE IN ACCORDANCE WITH CUR. STD. DWGS. **RPS-010** AND **RPS-020**.
- ⑤ ALL LONGITUDINAL AND TRANSVERSE SAWED CONSTRUCTION JOINTS SHALL BE CUT TO THE DEPTH SHOWN AND SHALL BE SEALED WITH HOT POURED ELASTIC JOINT SEAL.
- ⑥ THESE EDGES SHALL BE BEVELED USING A CUTTING OR GRINDING DEVICE.
- ⑦ JOINT DEPTH IS T/3 OR 4", WHICHEVER IS LESS.
T = PAVEMENT THICKNESS



JOINT SHAPE FOR

- (1) LONGITUDINAL SAWED JOINT (TIED)
- (2) LONGITUDINAL SAWED CONSTRUCTION JOINT (TIED) ⑤
- (3) TRANSVERSE SAWED CONSTRUCTION JOINT (TIED) ⑤



**JOINT SHAPE FOR
TRANSVERSE EXPANSION JOINT**

USE WITH CUR. STD. DWGS.
RPS-010, RPS-020

KENTUCKY	
DEPARTMENT OF HIGHWAYS	
PREFORMED COMPRESSION JOINT SEAL FOR CONCRETE PAVEMENT	
STANDARD DRAWING NO. RPX-010-05	
SUBMITTED <i>William S. Gullett</i>	DATE 12-01-15
<small>DIRECTOR, DIVISION OF DESIGN</small>	
APPROVED <i>[Signature]</i>	DATE 12-01-15
<small>STATE HIGHWAY ENGINEER</small>	