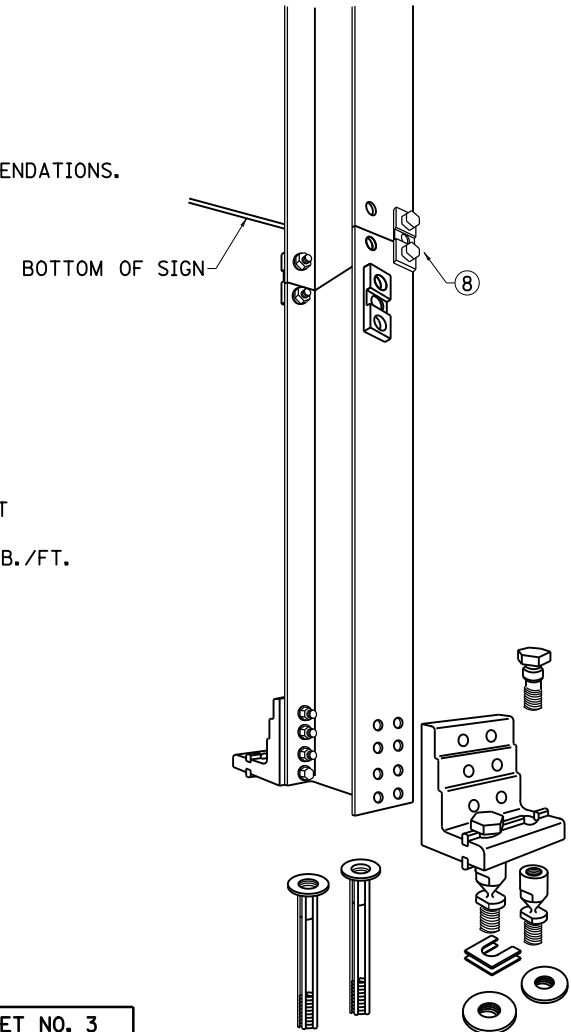


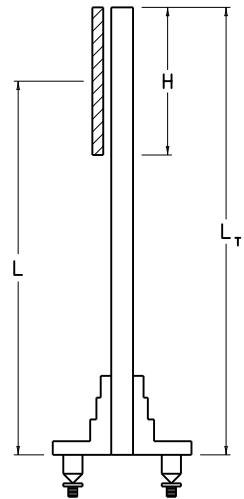
~ NOTES ~

1. BREAKAWAY SIGN SUPPORT SYSTEM FOR TYPE C BEAM SHALL BE SELECTED FROM THE KENTUCKY DEPARTMENT OF HIGHWAYS APPROVED LIST FOR BREAKAWAY SIGN SUPPORT SYSTEMS OR AN APPROVED EQUAL. ACCEPTABLE ALTERNATE BREAKAWAY SIGN SUPPORT SYSTEMS SHALL BE APPROVED BY THE DIVISION OF HIGHWAY DESIGN AND FHWA PRIOR TO INSTALLATION.
2. SELECTION OF THE PROPER BRACKET NUMBER SHALL BE IN ACCORDANCE WITH MANUFACTURER'S RECOMMENDATIONS.
3. ALL HARDWARE ITEMS SUPPLIED ARE AMERICAN STANDARD SIZES AND SHALL BE GALVANIZED AND CONFORM TO ASTM A153 OR ASTM B695.
4. FASTENERS, EXCEPT FOR SPECIAL BOLT AND COUPLINGS, ARE INSTALLED WITH LOCKWASHERS, AND DO NOT HAVE SPECIFIC TORQUE REQUIREMENTS. FASTENERS SHALL BE SECURED AS TIGHT AS POSSIBLE WITH CONVENTIONAL WRENCHES, UNLESS NOTED OTHERWISE.
5. SQUARE UP AND LEVEL INDIVIDUAL COMPONENTS, PARTICULARLY ANCHORS TO MINIMIZE THE NEED FOR SHIMMING BETWEEN THE COUPLINGS AND ANCHORS.
6. NO MORE THAN TWO SHIMS SHALL BE PLACED UNDER ANY ONE COUPLING. NO MORE THAN THREE SHIMS UNDERNEATH ANY PAIR OF COUPLINGS.
7. THE CONTRACTOR SHALL FURNISH TWO (2) COMPLETE SETS OF SHOP PLANS FOR APPROVAL BY THE ENGINEER A MINIMUM OF TWO WEEKS PRIOR TO INSTALLATION.
- ⑧ THE HINGE SHOULD BE AT LEAST 7'-0" ABOVE THE GROUND.
9. A SINGLE POST IF 7'-0" OR MORE FROM ANOTHER POST, SHALL HAVE A WEIGHT LESS THAN 45 LB./FT. TOTAL WEIGHT BELOW THE HINGE, BUT ABOVE THE SHEAR PLATE OF THE BREAKAWAY BASE, SHOULD NOT EXCEED 600 LB.
10. FOR TWO POSTS SPACED LESS THAN 7'-0" APART, EACH POST SHOULD HAVE A WEIGHT LESS THAN 18 LB./FT.
11. COUPLINGS SHALL NOT BE USED IN SIGN STRUCTURES WITH THREE SUPPORTS OR MORE IF POSTS ARE CLOSER THAN 7'-0" APART.
12. REFER TO CUR. STD. DWG. [RGX-061](#) FOR FOOTING DETAILS.



~ PICTORIAL VIEW ~

$$L = L_T - H/2$$



~ ELEVATION VIEW ~

BRACKET SELECTION TABLE

I-BEAM POST SIZE	BRACKET NO. 1		BRACKET NO. 2		BRACKET NO. 3	
	MIN. "L"	MAX. "L"	MIN. "L"	MAX. "L"	MIN. "L"	MAX. "L"
6"	12'-0"	29'-0"	9'-0"	12'-0"	0	9'-0"
8"	14'-0"	29'-0"	10'-0"	14'-0"	0	10'-0"
10"	16'-0"	29'-0"	11'-0"	16'-0"	0	11'-0"
12"	18'-0"	29'-0"	13'-0"	18'-0"	0	13'-0"
14"	19'-0"	29'-0"	14'-0"	19'-0"	0	14'-0"
16"	21'-0"	29'-0"	15'-0"	21'-0"	0	15'-0"
18"	23'-0"	29'-0"	16'-0"	23'-0"	0	16'-0"
21"	25'-0"	29'-0"	18'-0"	25'-0"	0	18'-0"

USE WITH CUR. STD. DWG.  
[RGX-061](#)

<b>KENTUCKY DEPARTMENT OF HIGHWAYS</b>	
<b>BREAKAWAY SIGN SUPPORT SYSTEM FOR TYPE C BEAM</b>	
STANDARD DRAWING NO. <a href="#">RGX-060-01</a>	
SUBMITTED <i>William P. Gullett</i> <small>DIRECTOR, DIVISION OF DESIGN</small>	DATE 12-01-15
APPROVED <i>[Signature]</i> <small>STATE HIGHWAY ENGINEER</small>	DATE 12-01-15