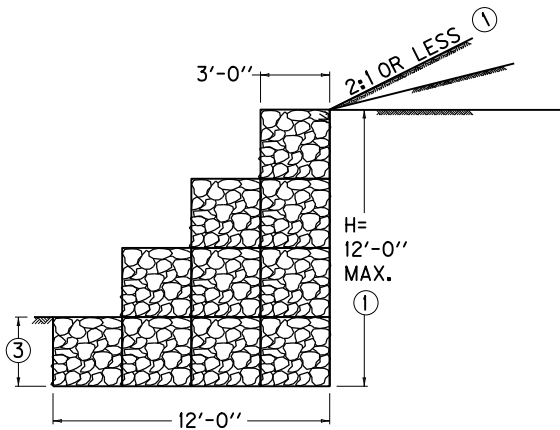
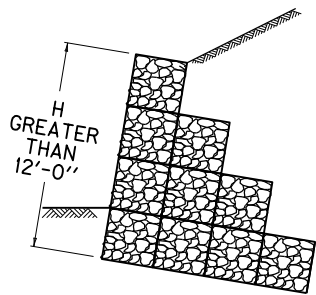


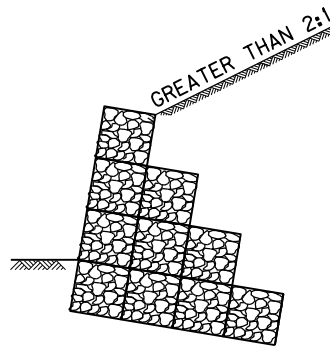
FRONT FACE 6:1 BATTER



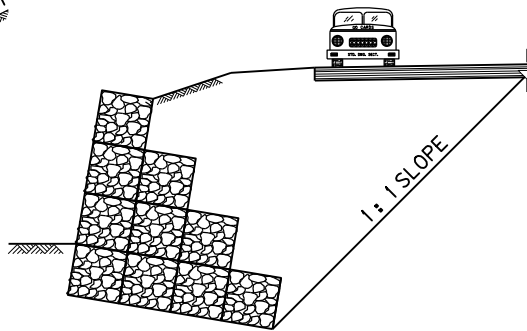
FRONT FACE STEPPED



(A)



(B)



(C)

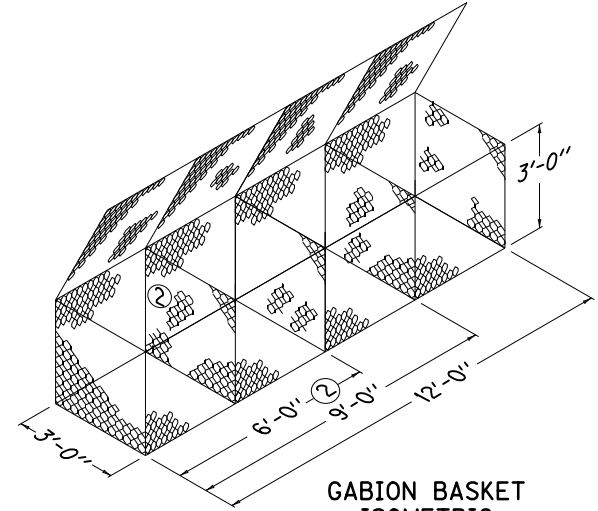
SPECIAL DESIGNS REQUIRED ④

~ NOTES ~

BID ITEMS AND UNIT TO BID
 RETAINING WALL-GABION
 STRUCTURE EXCAVATION
 SEE THE CURRENT STANDARD SPECIFICATIONS FOR ROAD AND BRIDGE CONSTRUCTION.

CUYD
 CUYD

- ① THE GABION RETAINING WALL DEPICTED ON THIS DRAWING SHALL BE USED WHEN THE HEIGHT ("H" DIMENSION) OF THE WALL IS 12'-0" OR LESS AND THE BACKFILL SLOPE IS 2:1 OR LESS.
- ② LENGTH OF GABIONS MAY BE 6'-0", 9'-0" OR 12'-0" LONG WITH PARTITIONS 3'-0" ON CENTER.
- ③ 3'-0" MINIMUM EMBEDMENT.
- ④ SPECIAL DESIGNS SHALL BE REQUIRED WHEN THE FOLLOWING CONDITIONS EXIST:
 - (A) WALL HEIGHT IS GREATER THAN 12'-0".
 - (B) WALL IS SURCHARGED WITH DEAD LOAD FILL SLOPES STEEPER THAN 2:1.
 - (C) WALL IS SURCHARGED WITH A LIVE LOAD WITHIN THE LIMITS OF A 1:1 SLOPE EXTENDING FROM THE BASE OF THE WALL.



GABION BASKET ISOMETRIC VIEW

KENTUCKY
 DEPARTMENT OF HIGHWAYS

GABION
 RETAINING WALLS

STANDARD DRAWING NO. RGX-050-02

SUBMITTED	<i>William S. Gullett</i>	DATE	12-01-15
	DIRECTOR, DIVISION OF DESIGN		
APPROVED	<i>[Signature]</i>	DATE	12-01-15
	STATE HIGHWAY ENGINEER		