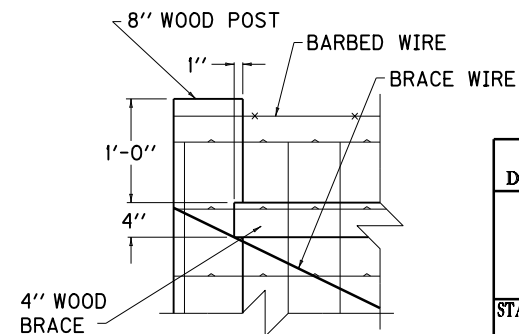


ALTERNATE METHODS OF SECURING VERTICAL STAY WIRE TO THE HORIZONTAL WIRE OF THE FABRIC.

DETAIL "A"



DETAIL "B"

~ NOTES ~

BID ITEM AND UNIT TO BID
FENCE-WOVEN WIRE TYPE 2
CONCRETE-CLASS B

LF
CUYD

1. ON INTERMEDIATE PULL POST ASSEMBLIES, BRACE WIRES SHALL BE REQUIRED FOR BOTH DIRECTIONS.
2. WOVEN-WIRE FABRIC SHALL BE EITHER ALUMINUM-COATED STEEL NO. 1047-6-9 OR ZINC-COATED STEEL NO. 1047-6-9.

KENTUCKY DEPARTMENT OF HIGHWAYS	
WOVEN WIRE FENCE TYPE 2	
STANDARD DRAWING NO. RFW-006-07	
SUBMITTED <i>William P. Gullett</i>	12-01-15
<small>DIRECTOR, DIVISION OF DESIGN</small>	
APPROVED <i>[Signature]</i>	12-01-15
<small>STATE HIGHWAY ENGINEER</small>	