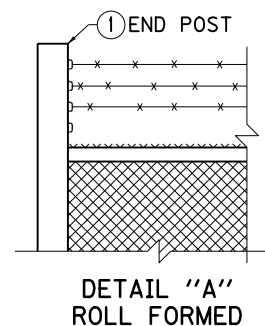
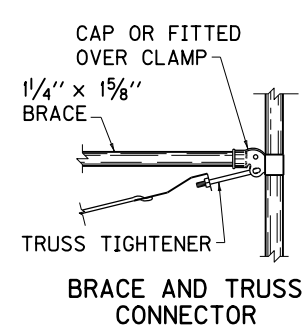


9. ALL POSTS SHALL BE SET IN CONCRETE TO THE DIMENSIONS SHOWN ON THIS DRAWING.
  10. A, 1 1/4" NPS OR A 1 1/4" x 1 5/8" ROLL FORMED SECTION, BOTTOM RAIL SHALL BE REQUIRED AROUND ALL UTILITY INSTALLATIONS AND AT OTHER LOCATIONS DESIGNATED BY THE ENGINEER.
  11. 8' HIGH FENCE SHALL HAVE 7' FABRIC HEIGHT. 9' HIGH FENCE SHALL HAVE 8' FABRIC HEIGHT. 10' HIGH FENCE SHALL HAVE 9' FABRIC HEIGHT. 11' HIGH FENCE SHALL HAVE 10' FABRIC HEIGHT. 12' HIGH FENCE SHALL HAVE 11' FABRIC HEIGHT.
  12. ALL FENCE FITTINGS SHALL COMPLY WITH ASTM F626.
  13. POST CAPS AND SOCKET TYPE BRACE END CONNECTIONS SHALL BE GALVANIZED PRESSED STEEL, CAST IRON OR OTHER TYPE AS APPROVED BY THE ENGINEER. THEY SHALL BE DESIGNED IN A MANNER TO EXCLUDE MOISTURE FROM INSIDE THE POSTS AND RAILS.
  14. NPS = NOMINAL PIPE SIZE - ASTM F1083 AND F1043 (HEAVY INDUSTRIAL FENCE) SHALL GOVERN.
- BID ITEMS AND UNIT TO BID  
CHAIN LINK FENCE  
CONCRETE-CLASS B
- LF  
CUYD

LEGEND / (ALTERNATES)

TUBULAR	ROLL FORMED
① 2 1/2" NPS END POST	3 1/2" X 3 1/2" END POST
② 2" NPS LINE POST	2 1/4" H-COL. LINE POST
③ 3/8" DIA. TRUSS ROD AND TIGHTNER	3/8" DIA. TRUSS ROD AND TIGHTNER
④ BARBED WIRE ARMS	BARBED WIRE ARMS
⑤ 1 1/4" NPS TOP RAIL & BRACE	1 1/4" X 1 5/8" TOP RAIL & BRACE
⑥ BARBED WIRE	BARBED WIRE
⑦ FLAT TENSION BAR	NOT REQUIRED
⑧ BRACE BAND AND TENSION BAND	NOT REQUIRED



**KENTUCKY**  
**DEPARTMENT OF HIGHWAYS**

**CHAIN LINK FENCE**  
**8' TO 12' HIGH**

STANDARD DRAWING NO. RFC-002-05

SUBMITTED: *William P. Gullett* 12-01-15  
DIRECTOR, DIVISION OF DESIGN DATE

APPROVED: *[Signature]* 12-01-15  
STATE HIGHWAY ENGINEER DATE