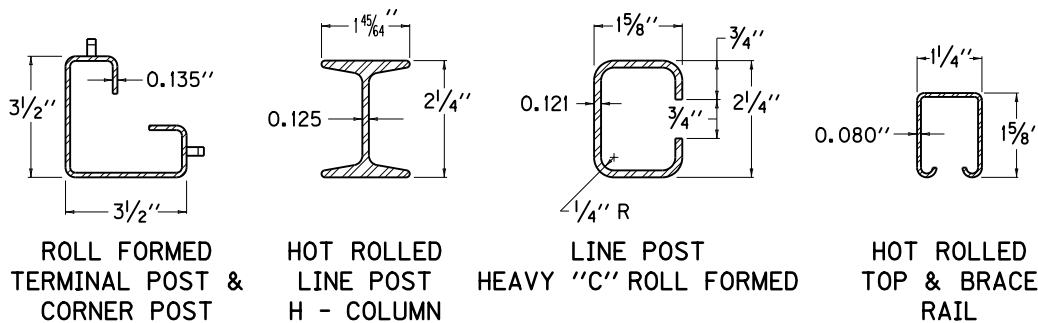


~ NOTES ~

9. TENSION WIRE COMPLYING WITH ASTM A 824 SHALL BE SUBSTITUTED FOR THE TOP RAIL WHEN THE FENCE IS TO BE INSTALLED IN THE PATH OF AN ERRANT VEHICLE.
10. ALL POSTS SHALL BE SET IN CONCRETE TO THE DIMENSIONS INDICATED ON THIS DRAWING.
11. 4' HIGH FENCE SHALL HAVE 4' FABRIC HEIGHT. 6' HIGH FENCE SHALL HAVE 6' FABRIC HEIGHT.
12. ALL FENCE FITTINGS SHALL COMPLY WITH ASTM F626.
13. POST CAPS AND SOCKET TYPE BRACE END CONNECTIONS SHALL BE GALVANIZED PRESSED STEEL, CAST IRON OR OTHER TYPE AS APPROVED BY THE ENGINEER. THEY SHALL BE DESIGNED IN A MANNER TO EXCLUDE MOISTURE FROM INSIDE POSTS AND RAILS.
14. NPS = NOMINAL PIPE SIZE - ASTM F1083 AND F1043 (HEAVY INDUSTRIAL FENCE) SHALL GOVERN.
15. INDISCRIMINATE MIXING OF POSTS WILL NOT BE PERMITTED.

BID ITEMS AND UNIT TO BID  
 CHAIN LINK FENCE  
 CONCRETE-CLASS B

LF  
 CUYD



ROLL FORMED  
 TERMINAL POST &  
 CORNER POST

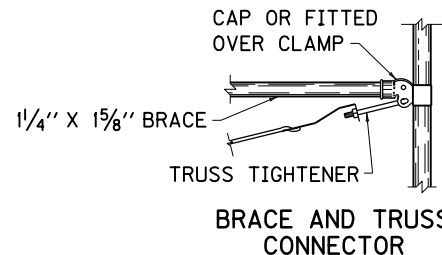
HOT ROLLED  
 LINE POST  
 H - COLUMN

LINE POST  
 HEAVY "C" ROLL FORMED

HOT ROLLED  
 TOP & BRACE  
 RAIL

LEGEND / (ALTERNATES)

	TUBULAR	ROLL FORMED
①	2 1/2" NPS END POST	3 1/2" X 3 1/2" END POST
②	2" NPS LINE POST	2 1/4" H-COL. LINE POST - OR - 2 1/4" C-COL. LINE POST
③	3/8" DIA. TRUSS ROD AND TIGHTNER	3/8" DIA. TRUSS ROD AND TIGHTNER
④	APPROVED CAPS	NOT REQUIRED
⑤	FLAT TENSION BAR	NOT REQUIRED
⑥	BRACE BAND AND TENSION BAND	NOT REQUIRED
⑦	1 1/4" NPS BRACE	
⑧	1 1/4" NPS TOP RAIL (SEE NOTE 9)	1 1/4" X 1 5/8" TOP RAIL & BRACE



**KENTUCKY  
 DEPARTMENT OF HIGHWAYS**

**CHAIN LINK FENCE  
 4' TO 6' HIGH**

STANDARD DRAWING NO. RFC-001-08

SUBMITTED <i>W. S. Galt</i>	DATE 12-01-15
APPROVED <i>[Signature]</i>	DATE 12-01-15
<small>DIRECTOR, DIVISION OF DESIGN</small>	<small>STATE HIGHWAY ENGINEER</small>