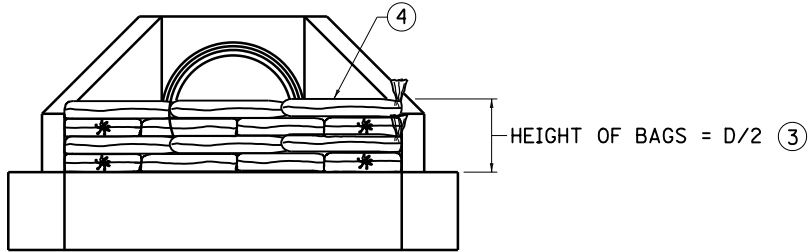


PLAN VIEW



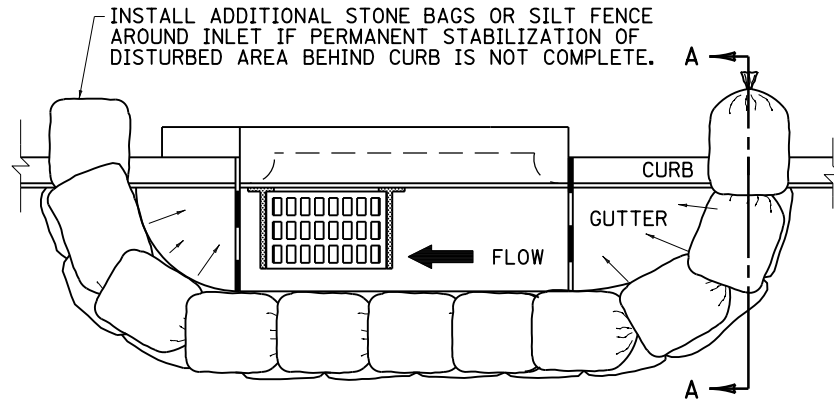
FRONT ELEVATION

HEIGHT OF BAGS = $D/2$ (3)

~ NOTES ~

BID ITEMS AND UNIT TO BID:
 SILT TRAP TYPE C EACH
 CLEAN SILT TRAP TYPE C EACH

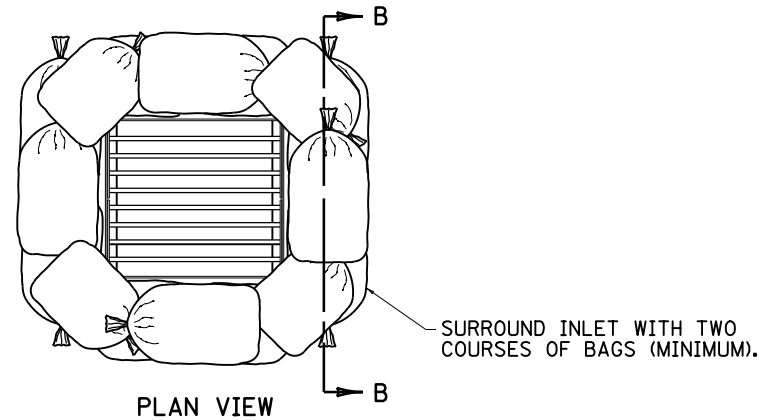
1. SILT TRAP TYPE C SHALL INCLUDE GEOTEXTILE FABRIC BAGS, NO. 57 STONE, LABOR AND ALL INCIDENTALS NECESSARY FOR ONE COMPLETE INSTALLATION.
2. INLET PROTECTION IS SUITABLE FOR USE IN BOTH PAVED AND UNPAVED AREAS.
3. THE HEIGHT REQUIREMENT IS WAIVED IN CASES WHERE IT WILL CREATE AN UNACCEPTABLE PONDING SITUATION ON THE PAVEMENT OR ON AN ADJACENT PROPERTY.
4. INTERWEAVE BAG ENDS TO FILL GAPS BETWEEN BAGS.
5. CONSTRUCT 18" X 30" BAGS OF NON-WOVEN TYPE II GEOTEXTILE FABRIC CONFORMING TO SECTION 843 OF THE STANDARD SPECIFICATIONS. DOUBLE STITCH BAG SEAMS WITH 1 LB. POLYESTER THREAD. ATTACH ONE (1) TIE STRING TO EACH BAG. BAG OPENING SHALL BE ON 18" SIDE.
6. FILL BAGS WITH NO. 57 STONE BETWEEN $1/2$ TO $2/3$ FULL (50 LB TO 60 LB).
7. SILT TRAP TYPE C SHALL NOT BE USED IN BLUE LINE STREAMS.



PLAN VIEW

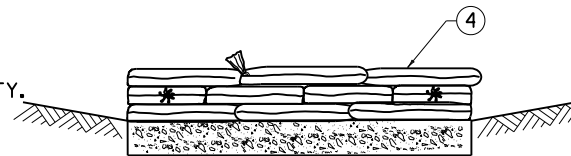


SECTION A~A



PLAN VIEW

SURROUND INLET WITH TWO COURSES OF BAGS (MINIMUM).



SECTION B~B

KENTUCKY
 DEPARTMENT OF HIGHWAYS

SILT TRAP TYPE C

STANDARD DRAWING NO. RDX-230-01

SUBMITTED	<i>William S. Gullett</i>	DATE	12-01-15
	DIRECTOR, DIVISION OF DESIGN		
APPROVED	<i>[Signature]</i>	DATE	12-01-15
	STATE HIGHWAY ENGINEER		