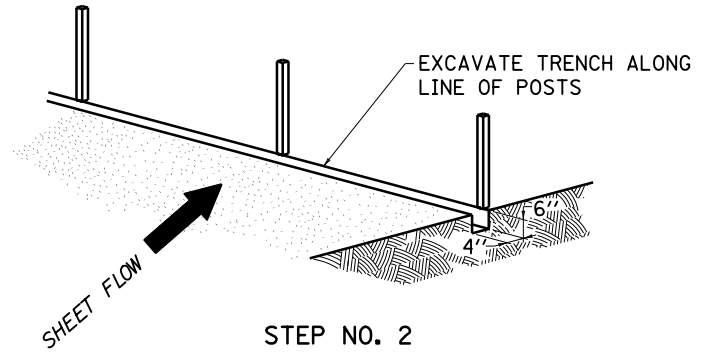
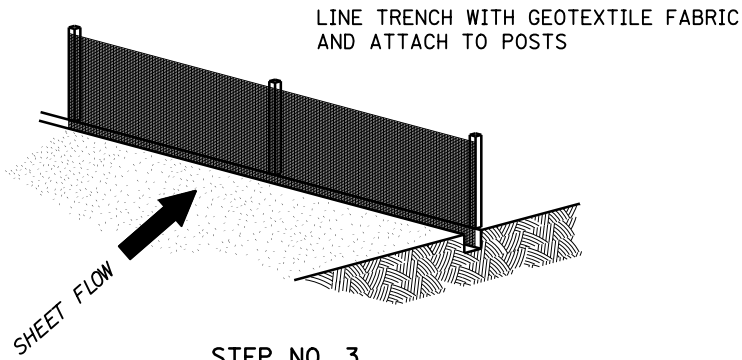


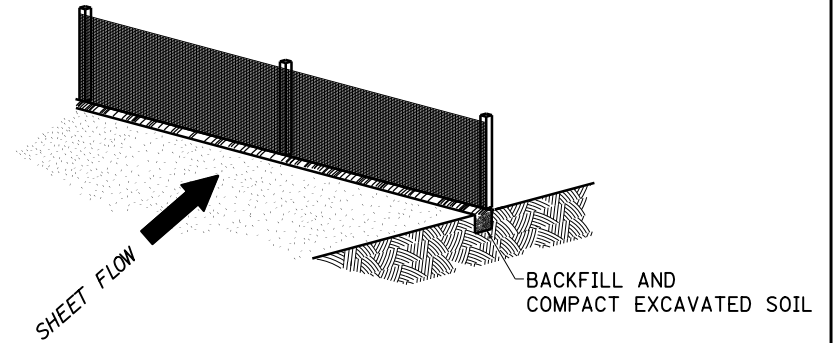
STEP NO. 1



STEP NO. 2



STEP NO. 3



STEP NO. 4

LINE TRENCH WITH GEOTEXTILE FABRIC AND ATTACH TO POSTS

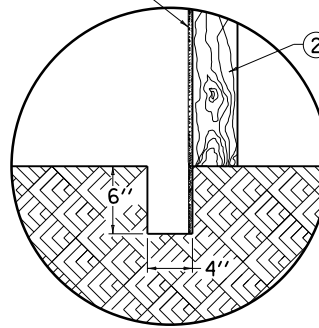
BACKFILL AND COMPACT EXCAVATED SOIL

~ NOTES ~

BID ITEM AND UNIT TO BID  
TEMP SILT FENCE LF

1. SEE STANDARD SPECIFICATIONS FOR POST SIZE, GEOTEXTILE FABRIC, WIRE STAPLES AND ALL OTHER PERTINENT INFORMATION.
- ② POSTS MAY BE WOODEN OR METAL T-SECTION.
- ③ POSTS SHALL BE SET 1'-4" DEEP.

GEOTEXTILE FABRIC



SECTIONAL DETAIL

KENTUCKY  
DEPARTMENT OF HIGHWAYS

TEMPORARY  
SILT FENCE

STANDARD DRAWING NO. RDX-210-03

SUBMITTED	<i>William P. Galt</i>	DATE	12-01-15
APPROVED	<i>[Signature]</i>	DATE	12-01-15
	ASST. SUPERVISOR, DIVISION OF DESIGN		
	STATE HIGHWAY ENGINEER		