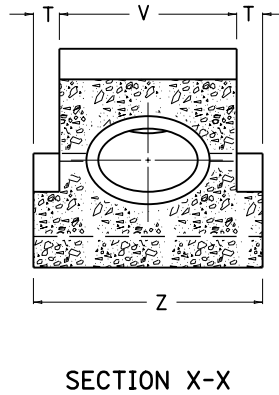
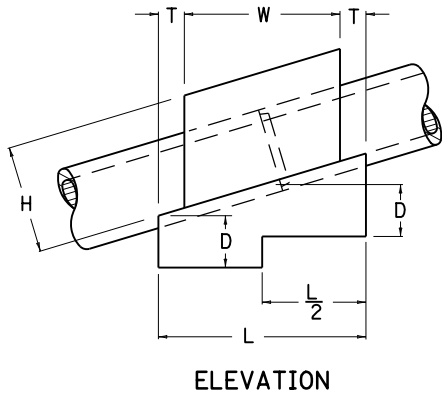
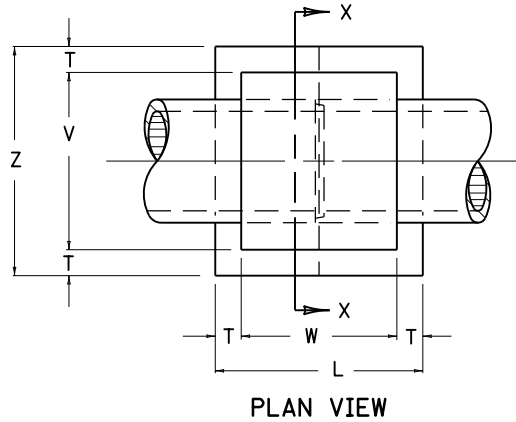
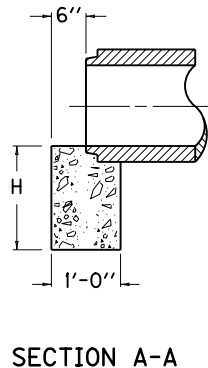
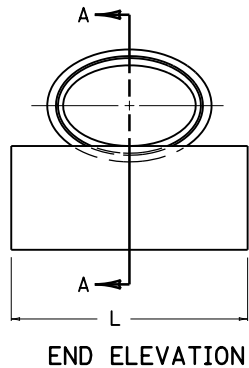


~INTERMEDIATE ANCHOR~



~END ANCHOR~



~ NOTES ~

BID ITEM AND UNIT TO BID
CONCRETE-CLASS "A"

CUYD

1. THE UNIT PRICE BID PER CU. YD. FOR CLASS "A" CONCRETE SHALL INCLUDE ALL FORMS, MATERIALS, LABOR, AND ALL OTHER INCIDENTALS NECESSARY TO COMPLETE THE WORK.
2. THE VOLUME DISPLACED BY BARREL OF PIPE HAS BEEN COMPUTED USING DIMENSION OF PIPE.
3. FOR GRADE BREAKS IN PIPE, USE AVERAGE GRADE TO CALCULATE VOLUMES.

INTERMEDIATE ANCHOR FOR PIPE

NON-CIRCULAR PIPE: EQUIVALENT ROUND SIZES

VOLUME IN CU. YDS. OF CLASS "A" CONCRETE FOR ONE ANCHOR	% GRADE	15"	18"	24"	27"	30"	33"	36"	39"	42"	48"	54"	60"	
	0	.98	1.22	1.80	2.18	2.57	2.98	3.54	4.60	6.65	8.04	10.66	8.23	
10	1.08	1.27	1.88	2.28	2.69	3.12	3.70	4.83	6.86	8.42	11.20	9.20		
20	1.16	1.32	1.95	2.36	2.80	3.25	3.85	5.04	7.13	8.77	11.70	10.00		
30	1.24	1.36	2.02	2.44	2.90	3.37	3.99	5.23	7.39	9.10	12.16	10.72		
40	1.32	1.40	2.08	2.53	2.99	3.47	4.12	5.41	7.69	9.39	12.59	11.37		
50	1.40	1.45	2.14	2.60	3.08	3.58	4.23	5.57	7.84	9.67	12.97	11.94		
60	1.42	1.49	2.20	2.67	3.14	3.67	4.34	5.72	8.05	9.92	13.33	12.47		
70	1.47	1.53	2.26	2.72	3.24	3.76	4.44	5.86	8.24	10.16	13.67	12.94		
80	1.51	1.57	2.31	2.76	3.31	3.84	4.53	5.99	8.41	10.38	13.98	13.37		
90	1.54	1.60	2.37	2.83	3.39	3.92	4.62	6.12	8.58	10.58	14.27	13.75		
100	1.58	1.64	2.42	2.92	3.45	4.00	4.70	6.23	8.74	10.78	14.54	14.11		
DIMENSIONS	L	3'-9"	4'-0"	4'-7"	4'-11"	5'-3"	5'-6"	5'-10"	6'-6"	7'-2"	7'-8"	9'-2"	9'-10"	
	W	2'-9"	3'-0"	3'-7"	3'-11"	4'-3"	4'-6"	4'-10"	5'-4"	5'-10"	6'-4"	7'-8"	7'-6"	
	H	1'-9"	2'-2"	2'-7"	2'-10"	3'-2"	3'-3"	3'-6"	3'-9"	4'-2"	4'-4"	4'-9"	5'-4"	
	D	1'-0"						1'-6"						
	V	3'-0"	3'-5"	4'-1"	4'-5"	4'-10"	5'-2"	5'-6"	6'-1"	6'-7"	7'-3"	8'-2"	7'-6"	
	T	6"						7"		8"		9"		8"
	Z	4'-0"	4'-5"	5'-1"	5'-5"	5'-10"	6'-2"	6'-6"	7'-3"	7'-11"	8'-7"	9'-8"	8'-10"	

END ANCHOR FOR PIPE OUTLET

(CLASS "A" CONCRETE)

DIMENSIONS	L	3'-0"	3'-5"	4'-1"	4'-5"	4'-10"	5'-2"	5'-6"	6'-0"	6'-6"	7'-2"	7'-10"	7'-10"
	H ON EARTH	1'-6"						2'-0"					
	H ON ROCK	1'-0"											
VOLUME CU. YDS. (ONE ANCHOR)	EARTH	0.17	0.19	0.23	0.25	0.27	0.29	0.31	0.33	0.48	0.53	0.58	0.58
	ROCK	0.11	0.13	0.15	0.16	0.18	0.19	0.20	0.22	0.24	0.27	0.29	0.29

**KENTUCKY
DEPARTMENT OF HIGHWAYS**

**INTERMEDIATE AND
END ANCHORS FOR
NON-CIRCULAR PIPE**

STANDARD DRAWING NO. RDX-065-04

SUBMITTED *William S. Gullett* DATE 12-01-15
DIRECTOR, DIVISION OF DESIGN

APPROVED *[Signature]* DATE 12-01-15
STATE HIGHWAY ENGINEER