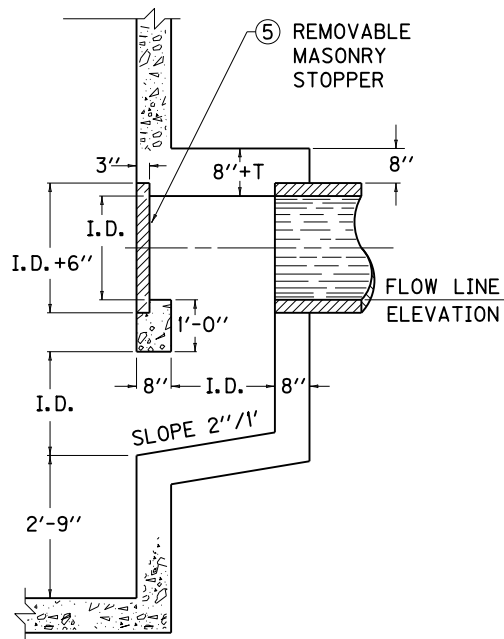
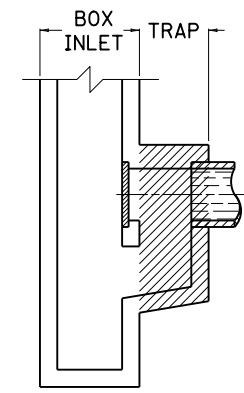
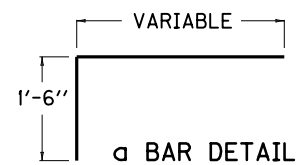
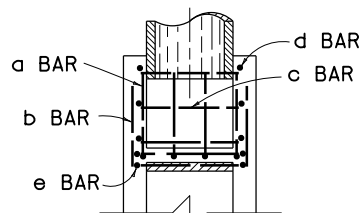


FRONT ELEVATION

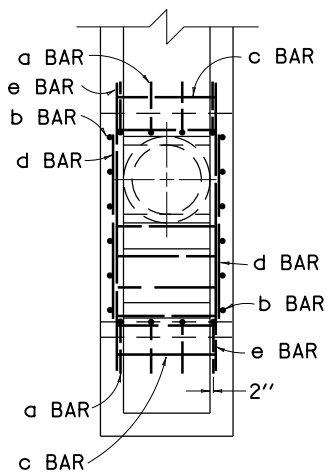


RIGHT SECTIONAL ELEVATION

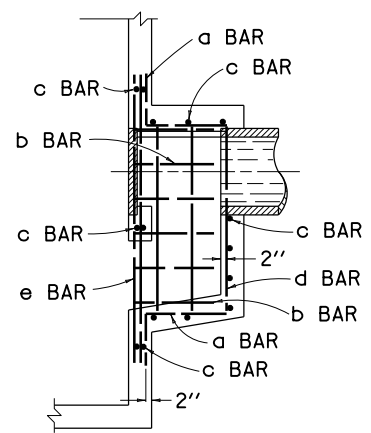
| PIPE SIZE | NO. 5 REINFORCEMENT BARS | | | | | | | | | | CLASS A CONC. | |
|-----------|------------------------------|--------|------|--------|------|--------|------|--------|------|--------|---------------|----------|
| | QUANTITY - LENGTH AND WEIGHT | | | | | | | | | | | |
| | QTY. | a | QTY. | b | QTY. | c | QTY. | d | QTY. | e | LBS. | CU. YDS. |
| 12" | 6 | 2'-10" | 8 | 1'-4" | 11 | 1'-8" | 4 | 3'-4" | 4 | 6'-4" | 88 | 0.52 |
| 15" | 6 | 3'-1" | 10 | 1'-7" | 12 | 2'-0" | 4 | 3'-10" | 4 | 6'-10" | 105 | 0.69 |
| 18" | 8 | 3'-4" | 10 | 1'-10" | 13 | 2'-3" | 6 | 4'-4" | 4 | 7'-4" | 135 | 0.87 |
| 21" | 8 | 3'-7" | 12 | 2'-1" | 14 | 2'-7" | 6 | 4'-10" | 4 | 7'-10" | 157 | 1.09 |
| 24" | 8 | 3'-10" | 12 | 2'-4" | 15 | 2'-10" | 6 | 5'-4" | 4 | 8'-4" | 174 | 1.32 |
| 30" | 10 | 4'-4" | 14 | 2'-10" | 17 | 3'-5" | 8 | 6'-4" | 4 | 9'-4" | 239 | 1.87 |
| 36" | 10 | 4'-10" | 16 | 3'-4" | 19 | 4'-0" | 8 | 7'-4" | 4 | 10'-4" | 290 | 2.52 |
| 42" | 12 | 5'-4" | 18 | 3'-10" | 21 | 4'-7" | 10 | 8'-4" | 4 | 11'-4" | 373 | 3.28 |
| 48" | 12 | 5'-10" | 20 | 4'-4" | 23 | 5'-2" | 10 | 9'-4" | 4 | 12'-4" | 436 | 4.15 |



TYPICAL TRAPPED BOX INLET



STEEL PATTERN



~ NOTES ~

- BID ITEMS AND UNIT TO BID
CURB BOX INLET TYPE A TRAPPED EACH
OR
CURB BOX INLET TYPE B TRAPPED EACH
1. QUANTITIES SHOWN FOR STEEL AND CONCRETE ARE FOR INFORMATIONAL PURPOSES ONLY, AND ARE INCLUDED IN THE BID ITEM.
 2. STEEL BARS SPACED APPROXIMATELY 12" O.C. THE MINIMUM REQUIREMENT FOR REINFORCING STEEL SHALL BE GRADE 40.
 3. NO CONSTRUCTION JOINTS PERMITTED BELOW FLOW LINE ELEVATION.
 4. THIS INLET TRAP MAY BE APPLIED TO ANY BOX INLET WITH A FLAT VERTICAL FACE.
 5. CAST IRON OR OTHER TYPES OF STOPPERS WILL BE PERMITTED IF APPROVED BY THE ENGINEER.
 6. DRAWING IS FOR TRAP PORTION OF INLET ONLY AND MUST BE CONSTRUCTED AS AN INTEGRAL PART OF THE BOX INLET.

T = PIPE THICKNESS.
I.D. = INSIDE DIAMETER OF PIPE.
O.D. = OUTSIDE DIAMETER OF PIPE.

**KENTUCKY
DEPARTMENT OF HIGHWAYS**

**TRAP FOR
BOX INLETS**

STANDARD DRAWING NO. RDX-020-05

SUBMITTED *William P. Gullett* 12-01-15
DATE DIRECTOR, DIVISION OF DESIGN

APPROVED *[Signature]* 12-01-15
DATE STATE HIGHWAY ENGINEER