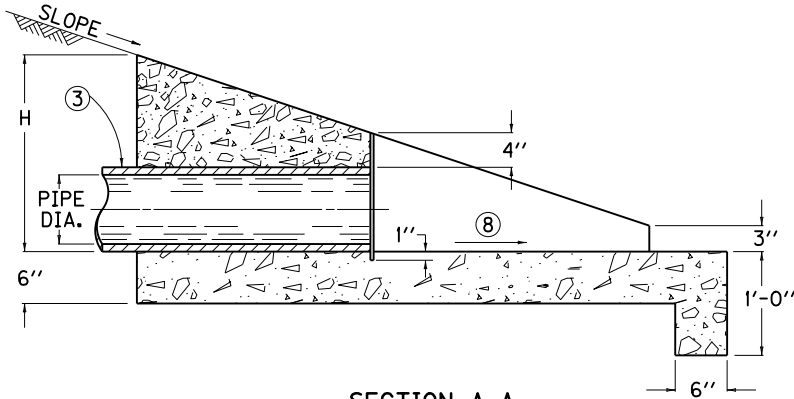
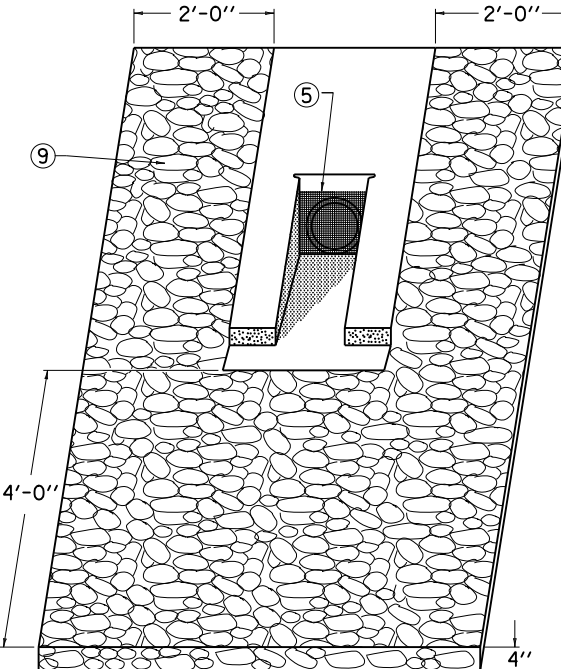


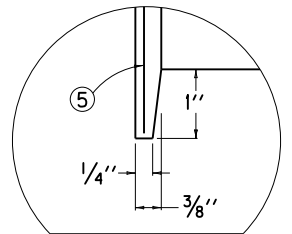
PLAN VIEW



SECTION A-A



PICTORIAL VIEW



7 BEVEL DETAIL

~NOTES~

BID ITEMS AND UNIT TO BID  
 CRUSHED AGGREGATE SIZE NO 2 TON  
 PERF PIPE HEADWALL TY  $\otimes$  -  $\triangle$  IN EACH

$\otimes$  1 = 2:1 SLOPE  
 2 = 3:1 SLOPE  
 3 = 4:1 SLOPE  
 4 = 6:1 SLOPE

$\triangle$  = PIPE DIA. IN INCHES

BID ITEM EXAMPLE: PERF PIPE HWALL TY 2 - 6 INCH

1. THE CONTRACT UNIT PRICE FOR PERF. PIPE HEADWALLS INCLUDES ALL LABOR, EXCAVATION, FORMS, CLASS "A" CONCRETE AND INCIDENTALS NECESSARY TO COMPLETE ONE INSTALLATION.
2. THIS HEADWALL IS TO BE USED AT THE OUTLET END OF PERFORATED PIPE INSTALLATIONS.
3. APPROXIMATELY 8'-0" TO 12'-0" OF PIPE AT THE OUTLET SHALL BE NON-PERFORATED PIPE MEETING THE REQUIREMENTS OF THE PERFORATED PIPE, EXCEPT FOR PERFORATIONS. IF VITRIFIED CLAY PIPE IS USED, ALL JOINTS WHICH LIE WITHIN THE ABOVE LIMITS AND NOT ENCASED IN CONCRETE (SEE NOTE 4) SHALL BE IN ACCORDANCE WITH THE CURRENT ASTM C-443.
4. ANY PIPE WHICH HAS LESS THAN 1'-0" OF COVER OVER ITS TOP SHALL BE INCASED IN 6" OF CONCRETE ON ALL SIDES.
5. RODENT SCREEN OF 2x2 MESH 16 GAUGE (0.063 IN. DIA. ) STEEL HEAVY (MAX.) HOT DIP GALVANIZED WOVEN WIRE CLOTH. THE MESH SHALL EXTEND A MINIMUM OF 1" ABOVE THE O.D. OF THE PIPE.
6. THE SLOT IS TO BE CONSTRUCTED SO THAT THE MESH CAN BE REMOVED FOR CLEANOUT PURPOSES.
7. BEVEL PERMITTED FOR EASY FORM REMOVAL.
8. INSTALL OR CONSTRUCT HEADWALL TO SLOPE 4% TO INSURE POSITIVE OUTLET FLOW.
9. CRUSHED AGGREGATE SIZE NO. 2 PLACED A MIN. DEPTH OF 4". (APPROX. 1 TON PER HEADWALL)

PIPE DIA.	SLOPE	DIMENSIONS				CLASS "A" CONCRETE
		L	H	A	C	CU. YDS.
4" AND 6"	2 : 1	3'-4 $\frac{7}{8}$ "	1'-8 $\frac{7}{16}$ "	1'-6"	6"	0.38
	3 : 1	5'-1 $\frac{5}{16}$ "		2'-3"	9"	0.56
	4 : 1	6'-9 $\frac{3}{4}$ "	3'-0"	1'-0"	0.74	
	6 : 1	7'-2 $\frac{5}{8}$ "	1'-2 $\frac{7}{16}$ "	1'-6"	1'-6"	0.62
8"	2 : 1	3'-9 $\frac{1}{2}$ "	1'-10 $\frac{3}{4}$ "	1'-6"	6"	0.43
	3 : 1	5'-8 $\frac{1}{4}$ "		2'-3"	9"	0.63
	4 : 1	7'-7"	3'-0"	1'-0"	0.83	
	6 : 1	8'-4 $\frac{1}{2}$ "	1'-4 $\frac{3}{4}$ "	1'-6"	1'-6"	0.73
10"	2 : 1	4'-2"	2'-1"	1'-6"	6"	0.47
	3 : 1	6'-3"		2'-3"	9"	0.69
	4 : 1	8'-4"	3'-0"	1'-0"	0.91	
	6 : 1	9'-6"	1'-7"	1'-6"	1'-6"	0.83

USE WITH CUR. STD. DWG.  
 RDP-005

**KENTUCKY**  
**DEPARTMENT OF HIGHWAYS**

**PERFORATED PIPE**  
**HEADWALLS**

STANDARD DRAWING NO. RDP-010-09

SUBMITTED *William P. Gullett* 12-01-15  
DIRECTOR, DIVISION OF DESIGN DATE

APPROVED *[Signature]* 12-01-15  
STATE HIGHWAY ENGINEER DATE