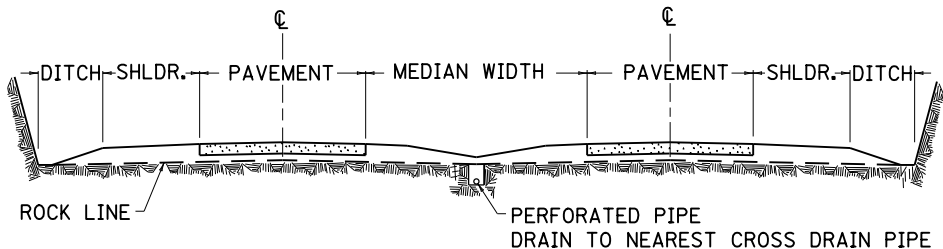
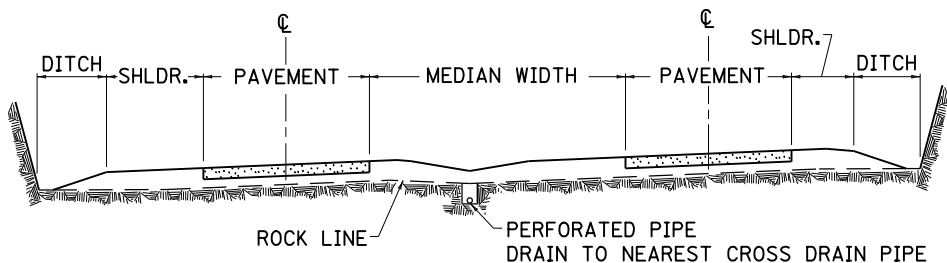


SECTIONS IN SOLID ROCK CUTS

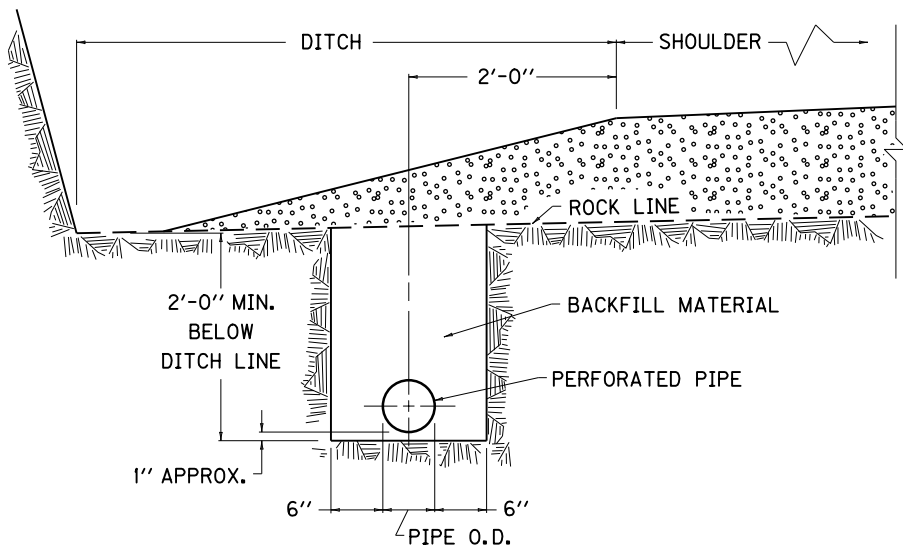
DEPRESSED MEDIAN 36 FEET AND OVER



NORMAL SECTION

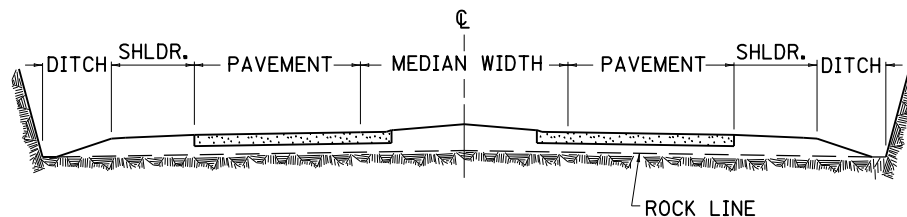


SUPERELEVATED SECTION

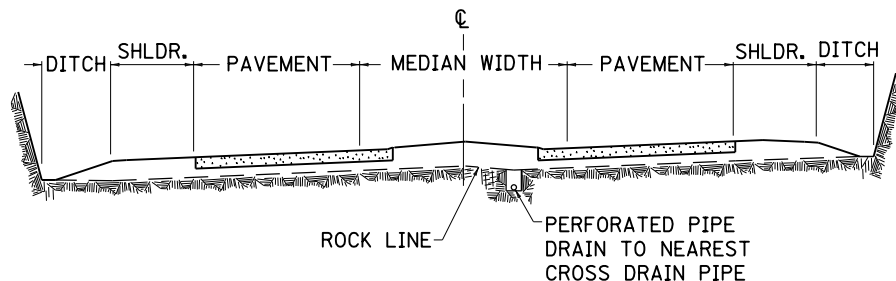


PERFORATED PIPE AT DITCH-SHOULDER LOCATION

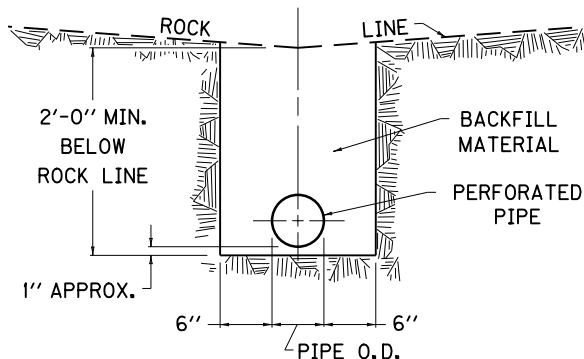
RAISED MEDIAN UNDER 36 FEET



NORMAL SECTION



SUPERELEVATED SECTION



DETAIL OF PERFORATED PIPE AT LOCATIONS AS SHOWN ON THE SECTIONS

~ NOTES ~

- BID ITEM AND UNIT TO BID
 PERFORATED PIPE- Δ IN LF
 Δ = PIPE DIA. IN INCHES
- PERFORATED PIPE TO BE CONSTRUCTED AS DETAILED ONLY WHEN SPECIFICALLY CALLED FOR ON THE SOIL PROFILE, PLAN SHT. OR BOTH.

USE WITH CUR. STD. DWG.
 RDP-001

KENTUCKY
 DEPARTMENT OF HIGHWAYS

PERFORATED
 PIPE DETAILS
 (SOLID ROCK)

STANDARD DRAWING NO. RDP-007-04

SUBMITTED	<i>William P. Gullett</i> DIRECTOR, DIVISION OF DESIGN	12-01-15
DATE		
APPROVED	<i>[Signature]</i> STATE HIGHWAY ENGINEER	12-01-15
DATE		