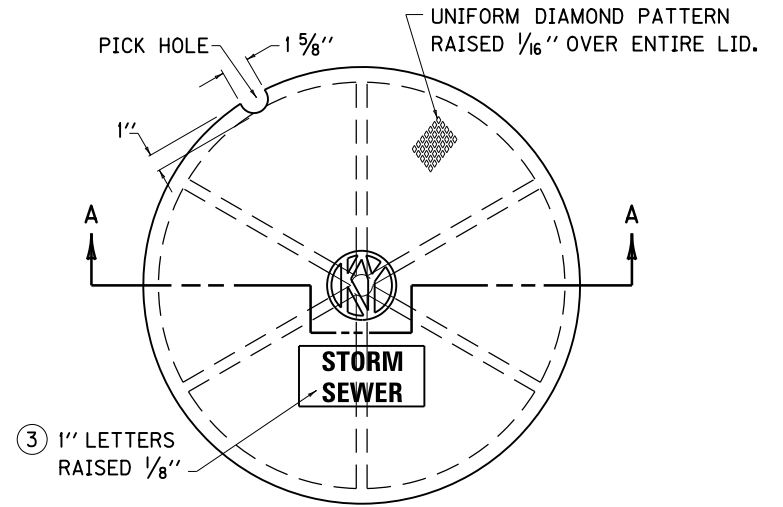
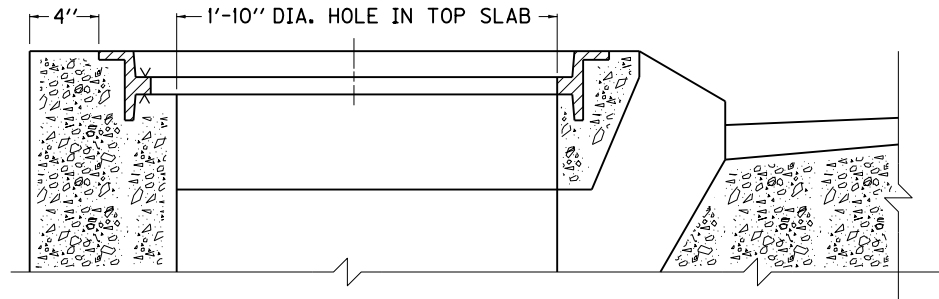


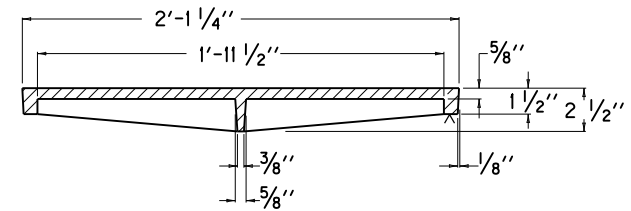
SECTION OF FRAME
WHEN USED WITH MANHOLES



PLAN VIEW



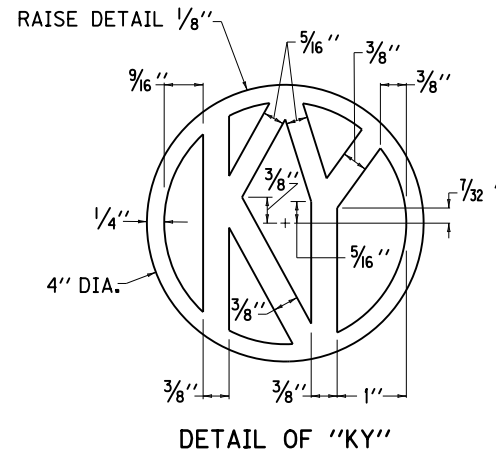
SECTION OF FRAME WHEN
USED WITH CURB BOX INLET



SECTION A-A

~ NOTES ~

- BID ITEM AND UNIT TO BID
FRAME AND LID TY 1 EACH
1. THE FRAME IS REVERSIBLE AND IS TO BE USED ON MANHOLES IN NON-VEHICULAR TRAFFIC AREAS, AND ON BOX INLETS AS SPECIFIED.
 2. APPLICATIONS SHOWN ARE FOR ILLUSTRATION PURPOSES ONLY.
 3. VARIATION IN LID LETTERING (SEE PIPE SUMMARY) DENOTES SEWER TYPES:
 - (A) STORM SEWER
 - (B) SANITARY SEWER
 - (C) SANITARY AND STORM SEWER
 4. THE "KY" SYMBOL SHALL APPEAR ON ALL LIDS.



DETAIL OF "KY"

APPROX. WEIGHT	
FRAME	90 LBS.
LID	116 LBS.

KENTUCKY DEPARTMENT OF HIGHWAYS	
FRAME AND LID TYPE 1	
STANDARD DRAWING NO. RDM-100-03	
SUBMITTED <i>William P. Gullett</i>	DATE 12-01-15
<small>DIRECTOR, DIVISION OF DESIGN</small>	
APPROVED <i>[Signature]</i>	DATE 12-01-15
<small>STATE HIGHWAY ENGINEER</small>	
<small>DATE</small>	