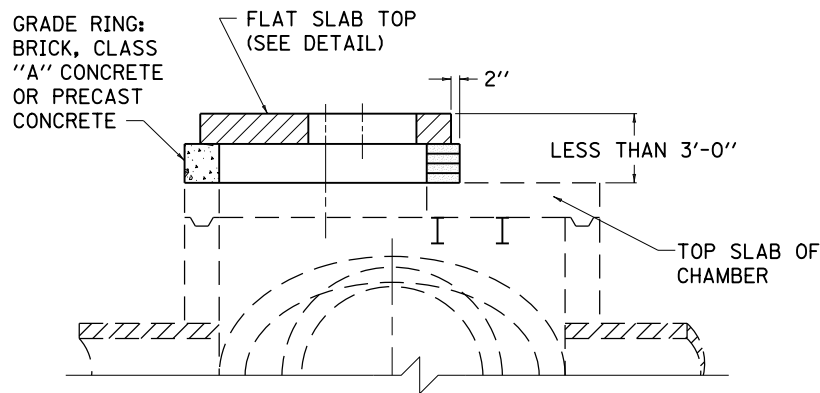
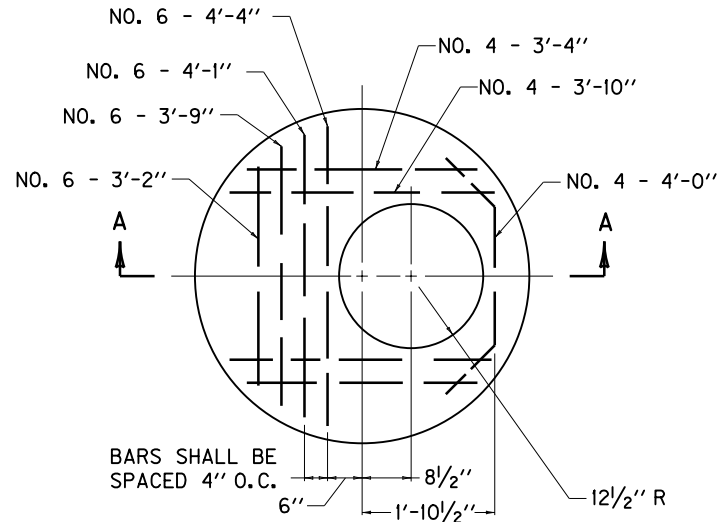


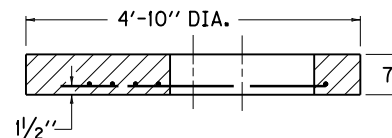
CLASS "A" TOWER DETAIL



CLASS "B" TOWER DETAIL



PLAN VIEW
FLAT SLAB TOP DETAIL



SECTION A-A
FLAT SLAB TOP DETAIL

USE WITH CUR. STD. DWGS.
RDM-010, RDM-012, RDM-013

KENTUCKY
DEPARTMENT OF HIGHWAYS

MANHOLE TYPE C
(TOWER APPLICATIONS)

STANDARD DRAWING NO. RDM-011-05

SUBMITTED	<i>William S. Gullett</i> DIRECTOR, DIVISION OF DESIGN	12-01-15
APPROVED	<i>[Signature]</i> STATE HIGHWAY ENGINEER	12-01-15
		DATE