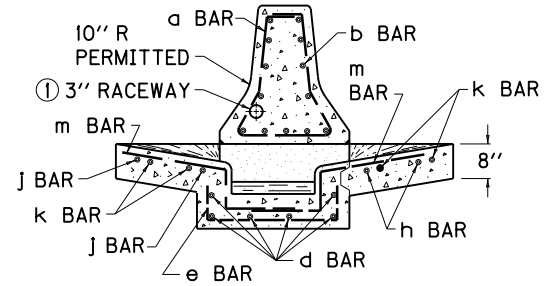
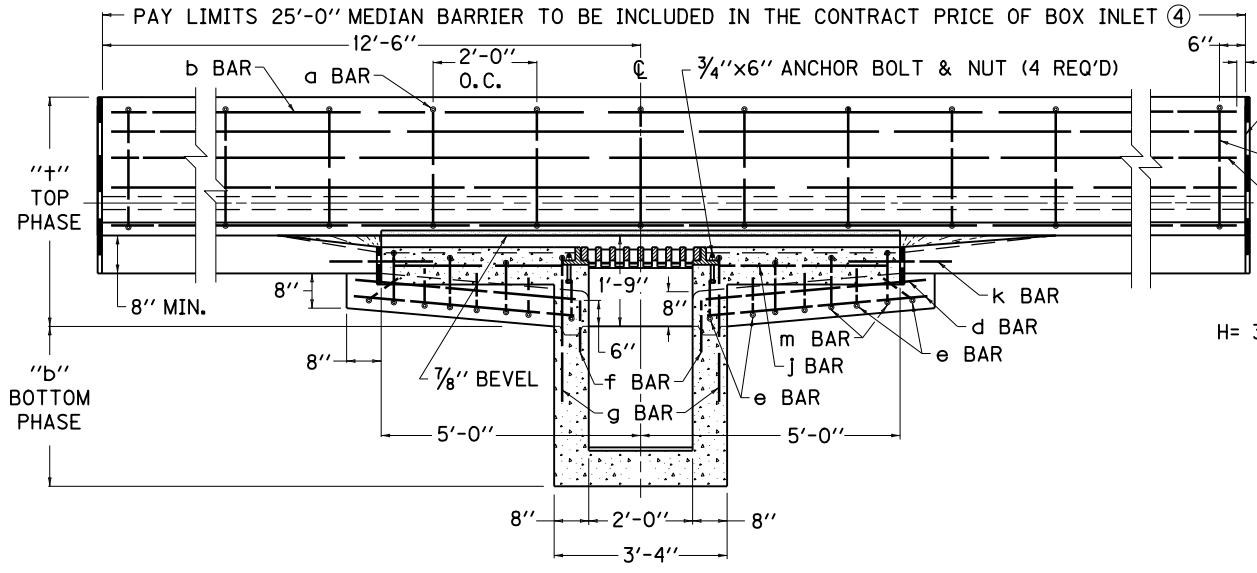


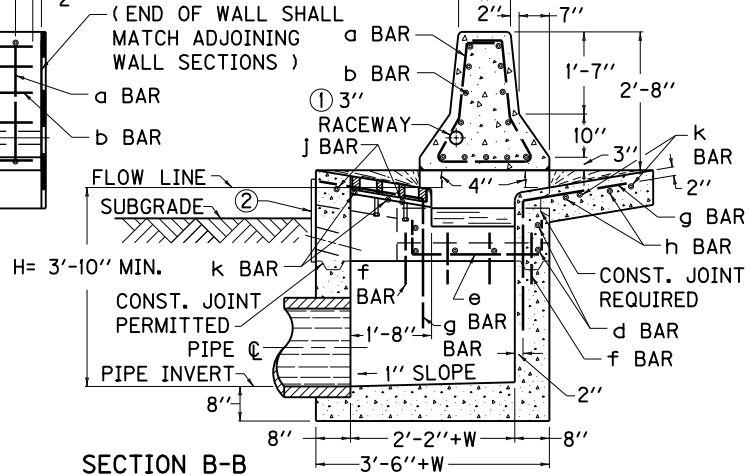
PLAN VIEW (BOX INLET TYPE A)



SECTION C-C



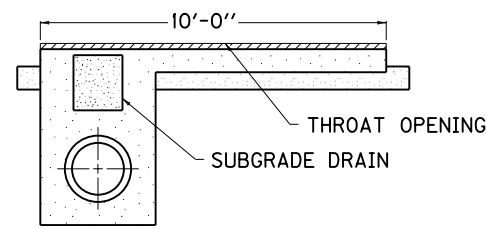
SECTION A-A



SECTION B-B

~ NOTES ~

- ① SEE PLANS FOR SIZE, LOCATION AND PAYMENT FOR RACEWAY WHEN REQUIRED.
- ② FABRIC WRAPPED BACKFILL DRAIN, (ONE PER WEEP HOLE).
3. ALL WALLS AND SLABS ARE 8" THICK UNLESS OTHERWISE SHOWN.
- ④ MEDIAN BARRIER WALL MAY BE CAST-IN-PLACE, FIXED OR SLIP-FORMED, CONTRACTOR'S OPTION.
5. WALL REINFORCEMENT IS DETAILED FOR CAST-IN-PLACE WALLS. FOR SLIP-FORMED WALLS SEE CURRENT STANDARD DRAWING [RDB-231](#) FOR STEEL DETAIL.



USE WITH CUR. STD. DWGS.
[RBM-001](#), [RDB-231](#)

KENTUCKY
DEPARTMENT OF HIGHWAYS

CONCRETE MEDIAN BARRIER BOX INLET (CAST-IN-PLACE)

STANDARD DRAWING NO. **RDB-230-09**

SUBMITTED *William P. Galbraith* 12-01-15
DIRECTOR, DIVISION OF DESIGN DATE

APPROVED *[Signature]* 12-01-15
STATE HIGHWAY ENGINEER DATE