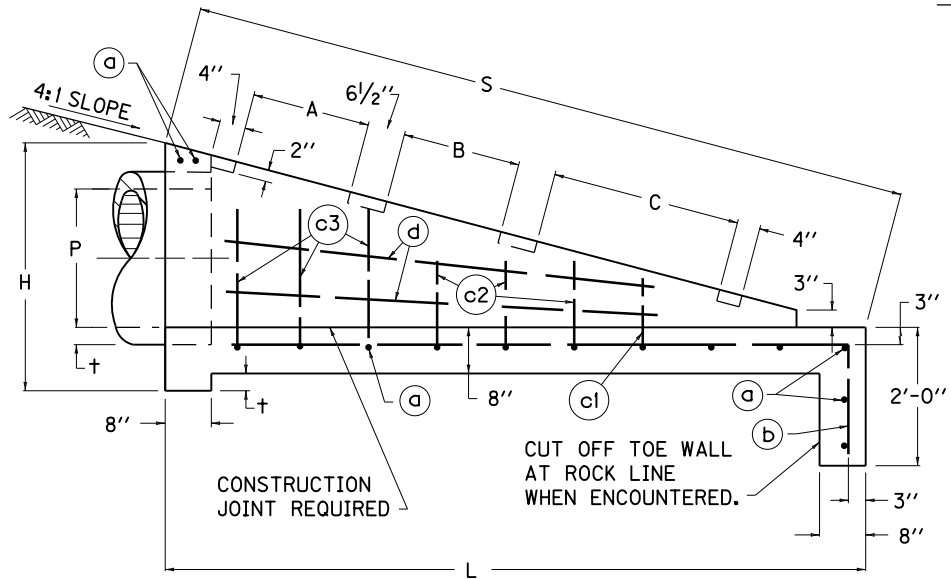


PLAN VIEW

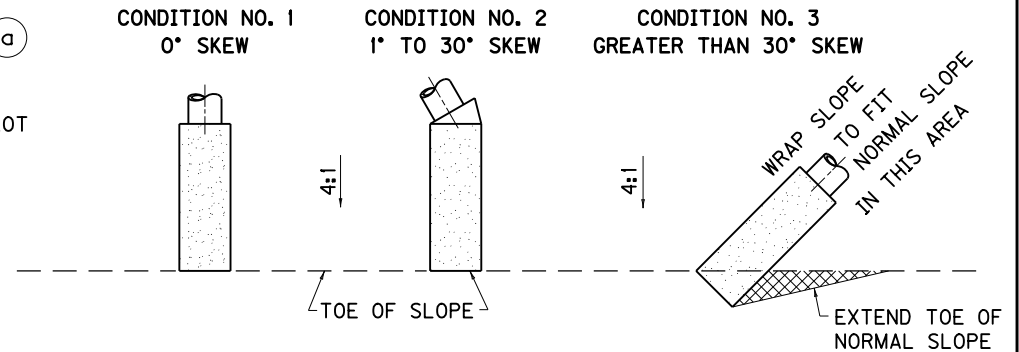


ELEVATION VIEW

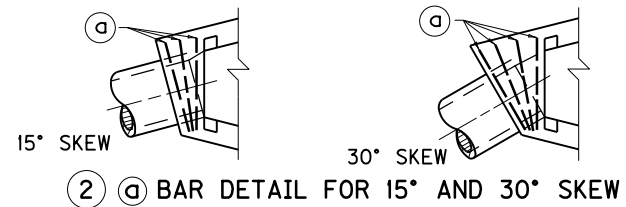
DIMENSIONS									NO. OF GRATES REQ'D.	
P	H	L	S	R	E	A	B	C	2'	3'
15"	3'-0"	8'-2"	8'-5 1/2"	3'-3"	1'-11"	1'-8 1/2"	2'-8 3/4"	-----	1	1
18"										
24"	3'-7"	10'-1 1/2"	10'-5 5/8"	3'-10"	2'-6"		1'-8 1/2"	2'-8 3/4"	2	1

~ NOTES ~

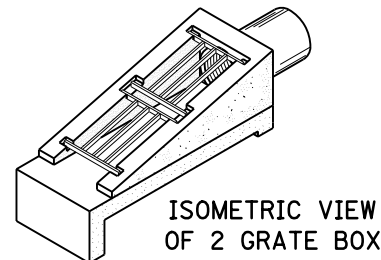
- BID ITEM AND UNIT TO BID
SLOPED BOX OUTLET TYPE 1 - ☆ IN (SIZE OF PIPE) EACH
1. THE MINIMUM REQUIREMENT FOR REINFORCING STEEL SHALL BE GRADE 40. FIELD BENDING WILL BE PERMITTED.
 2. ONE ADDITIONAL ⓐ BAR WILL BE REQUIRED FOR EACH 15° SKEW.
 3. "+" IS THE CONCRETE PIPE WALL THICKNESS OR METAL PIPE CORRUGATION DEPTH.
 4. SEE CUR. STD. DWG. RDB-101 FOR REINFORCING STEEL AND GRATE DETAILS.



PLAN VIEW OF STRUCTURE LOCATIONS



DETAIL SHOWING LOCATION OF SLOTS FOR GRATES



ISOMETRIC VIEW OF 2 GRATE BOX

USE WITH CUR. STD. DWG. RDB-101

KENTUCKY
DEPARTMENT OF HIGHWAYS

SLOPED BOX
OUTLET TYPE 1

STANDARD DRAWING NO. RDB-100-05

SUBMITTED: *William S. Galbraith* DIRECTOR, DIVISION OF DESIGN 12-01-15 DATE

APPROVED: *[Signature]* STATE HIGHWAY ENGINEER 12-01-15 DATE