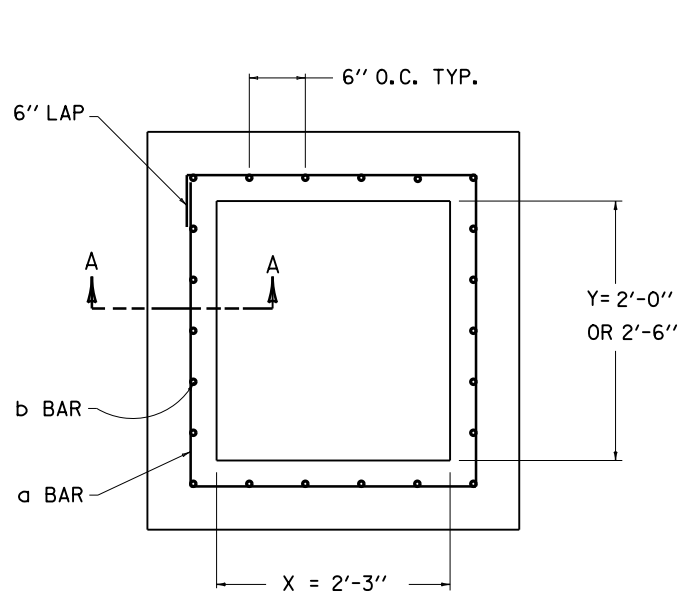
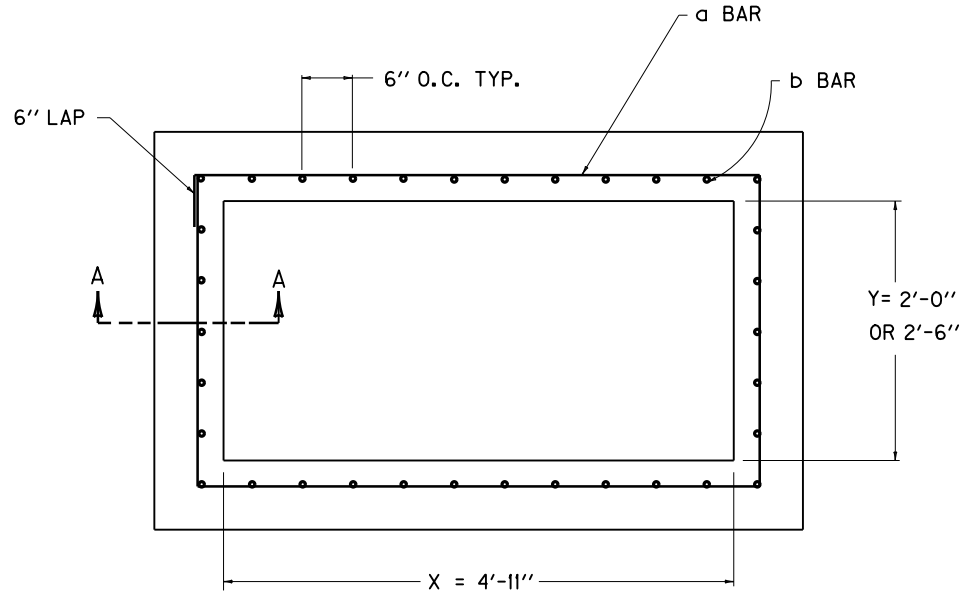


ADDITIONAL STEEL REINFORCEMENT REQUIREMENTS

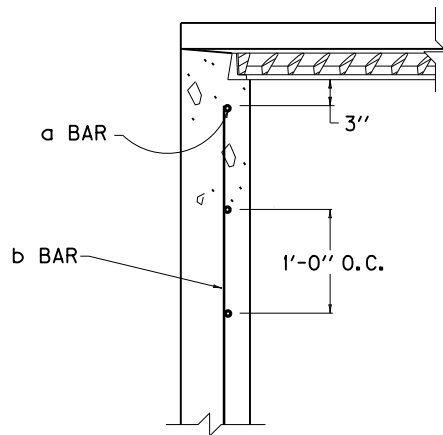
(RISER, H = 8'-0" TO 15'-0", GRADE AND SAG CONDITION)



GRADE CONDITION



SAG CONDITION



SECTION A-A

APPROXIMATE RISER QUANTITIES PER FT. IN HEIGHT-NO. 5 BARS							
COND- ITION	SIZE		BAR a		BAR b		LBS STEEL
	X	Y	QTY.	LIN. FT.	QTY.	LIN. FT.	
GRADE	2'-3"	2'-0"	1	10'-9"	20	1'-0"	32
		2'-6"	1	11'-6"	22		35
SAG	4'-11"	2'-0"	1	16'-1"	32	1'-0"	50
		2'-6"	1	17'-1"	34		53

USE WITH CUR. STD. DWGS.
[RDI-200](#), [RDB-014](#), [RDB-030](#),
[RDB-031](#), [RDB-032](#), [RDB-033](#),
[RDB-035](#)

KENTUCKY	
DEPARTMENT OF HIGHWAYS	
DROP BOX INLET	
TYPE 16	
(ADDITIONAL STEEL - RISER)	
STANDARD DRAWING NO. RDB-034-04	
SUBMITTED <i>William P. Gullett</i>	DATE 12-01-15
<small>DIRECTOR, DIVISION OF DESIGN</small>	<small>DATE</small>
APPROVED <i>[Signature]</i>	DATE 12-01-15
<small>STATE HIGHWAY ENGINEER</small>	<small>DATE</small>