

① ADDITIONAL STEEL REINFORCEMENT REQUIREMENTS
(PIPE CHAMBER, H = 8' TO 15', GRADE CONDITION)

SIZE ②		NO. 5 STEEL BARS									
X	Y	③ BAR n		④ BAR p		BAR q		BAR r		LBS. ⑤	
		QTY.	LIN. FT.	QTY.	LIN. FT.	QTY.	LIN. FT.	QTY.	LIN. FT.	TOTAL	⑥
2'-3"	1'-3"	16			9'-3"		1'-9"	3		174	26
	2'-0"	20			10'-9"		2'-6"	4		214	32
	2'-6"	22			11'-9"		3'-0"	5		238	35
	3'-0"	24	6'-0"	6	12'-9"	4	3'-6"	6	2'-9"	262	38
	3'-6"	26			13'-9"		4'-0"	7		286	41
	4'-0"	28			14'-9"		4'-6"	8		309	45
	4'-6"	30			15'-9"		5'-0"	9		333	48
	5'-0"	32			16'-9"		5'-6"	10		357	51
2'-6"	1'-3"	20			9'-9"		1'-9"	3		205	31
	2'-0"	22			11'-3"		2'-6"	4		234	35
	2'-6"	24			12'-3"		3'-0"	5		258	38
	3'-0"	26	6'-0"	6	13'-3"	5	3'-6"	6	3'-0"	283	41
	3'-6"	28			14'-3"		4'-0"	7		307	44
	4'-0"	30			15'-3"		4'-6"	8		332	47
	4'-6"	32			16'-3"		5'-0"	9		356	50
	5'-0"	34			17'-3"		5'-6"	10		381	53
3'-0"	1'-3"	22			10'-9"		1'-9"	3		227	34
	2'-0"	24			12'-3"		2'-6"	4		257	38
	2'-6"	26			13'-3"		3'-0"	5		283	41
	3'-0"	28	6'-0"	6	14'-3"	6	3'-6"	6	3'-6"	308	44
	3'-6"	30			15'-3"		4'-0"	7		334	47
	4'-0"	32			16'-3"		4'-6"	8		359	50
	4'-6"	34			17'-3"		5'-0"	9		385	53
	5'-0"	36			18'-3"		5'-6"	10		410	57
3'-6"	1'-3"	24			11'-9"		1'-9"	3		249	37
	2'-0"	26			13'-3"		2'-6"	4		281	41
	2'-6"	28			14'-3"		3'-0"	5		307	44
	3'-0"	30	6'-0"	6	15'-3"	7	3'-6"	6	4'-0"	334	47
	3'-6"	32			16'-3"		4'-0"	7		360	50
	4'-0"	34			17'-3"		4'-6"	8		387	53
	4'-6"	36			18'-3"		5'-0"	9		414	57
	5'-0"	38			19'-3"		5'-6"	10		440	60
4'-0"	1'-3"	26			12'-9"		1'-9"	3		271	40
	2'-0"	28			14'-3"		2'-6"	4		304	44
	2'-6"	30			15'-3"		3'-0"	5		332	47
	3'-0"	32	6'-0"	6	16'-3"	8	3'-6"	6	4'-6"	359	50
	3'-6"	34			17'-3"		4'-0"	7		387	53
	4'-0"	36			18'-3"		4'-6"	8		415	57
	4'-6"	38			19'-3"		5'-0"	9		442	60
	5'-0"	40			20'-3"		5'-6"	10		470	63
4'-6"	1'-3"	28			13'-9"		1'-9"	3		293	44
	2'-0"	30			15'-3"		2'-6"	4		328	47
	2'-6"	32			16'-3"		3'-0"	5		356	50
	3'-0"	34	6'-0"	6	17'-3"	9	3'-6"	6	5'-0"	385	53
	3'-6"	36			18'-3"		4'-0"	7		414	57
	4'-0"	38			19'-3"		4'-6"	8		442	60
	4'-6"	40			20'-3"		5'-0"	9		471	63
	5'-0"	42			21'-3"		5'-6"	10		500	66

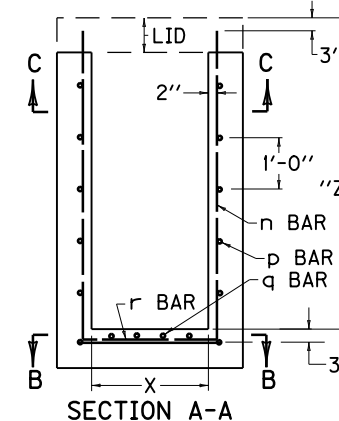
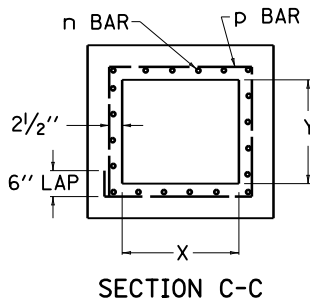
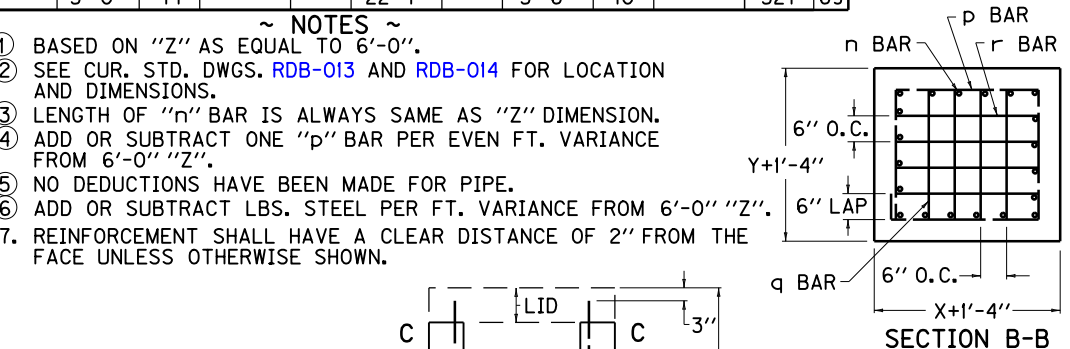
SIZE ②		NO. 5 STEEL BARS									
X	Y	③ BAR n		④ BAR p		BAR q		BAR r		LBS. ⑤	
		QTY.	LIN. FT.	QTY.	LIN. FT.	QTY.	LIN. FT.	QTY.	LIN. FT.	TOTAL	⑥
5'-0"	1'-3"	30			14'-9"		1'-9"	3		316	47
	2'-0"	32			16'-3"		2'-6"	4		351	50
	2'-6"	34			17'-3"		3'-0"	5		381	53
	3'-0"	36	6'-0"	6	18'-3"	10	3'-6"	6	5'-6"	410	57
	3'-6"	38			19'-3"		4'-0"	7		440	60
	4'-0"	40			20'-3"		4'-6"	8		470	63
	4'-6"	42			21'-3"		5'-0"	9		500	66
	5'-0"	44			22'-3"		5'-6"	10		529	69

① ADDITIONAL STEEL REINFORCEMENT REQUIREMENTS
(PIPE CHAMBER, H = 8' TO 15', SAG CONDITION)

SIZE ②		NO. 5 STEEL BARS									
X	Y	③ BAR n		④ BAR p		BAR q		BAR r		LBS. ⑤	
		QTY.	LIN. FT.	QTY.	LIN. FT.	QTY.	LIN. FT.	QTY.	LIN. FT.	TOTAL	⑥
4'-11"	1'-3"	28			14'-7"		1'-9"	3		302	44
	2'-0"	32			16'-1"		2'-6"	4		350	50
	2'-6"	34			17'-1"		3'-0"	5		379	53
	3'-0"	36	6'-0"	6	18'-1"	10	3'-6"	6	5'-5"	409	56
	3'-6"	38			19'-1"		4'-0"	7		438	60
	4'-0"	40			20'-1"		4'-6"	8		468	63
	4'-6"	42			21'-1"		5'-0"	9		498	66
	5'-0"	44			22'-1"		5'-6"	10		527	69

~ NOTES ~

- ① BASED ON "Z" AS EQUAL TO 6'-0".
- ② SEE CUR. STD. DWGS. RDB-013 AND RDB-014 FOR LOCATION AND DIMENSIONS.
- ③ LENGTH OF "n" BAR IS ALWAYS SAME AS "Z" DIMENSION.
- ④ ADD OR SUBTRACT ONE "p" BAR PER EVEN FT. VARIANCE FROM 6'-0" "Z".
- ⑤ NO DEDUCTIONS HAVE BEEN MADE FOR PIPE.
- ⑥ ADD OR SUBTRACT LBS. STEEL PER FT. VARIANCE FROM 6'-0" "Z".
- ⑦ REINFORCEMENT SHALL HAVE A CLEAR DISTANCE OF 2" FROM THE FACE UNLESS OTHERWISE SHOWN.



USE WITH CUR. STD. DWGS.
RDB-013, RDB-014, RDB-015,
RDB-016, RDB-017, RDB-018,

KENTUCKY
DEPARTMENT OF HIGHWAYS

DROP BOX INLET
TYPE 13
(ADDITIONAL STEEL - CHAMBER)

STANDARD DRAWING NO. RDB-019-04

SUBMITTED: *William P. Hall* 12-01-15
DATE: DIRECTOR, DIVISION OF DESIGN

APPROVED: *[Signature]* 12-01-15
DATE: STATE HIGHWAY ENGINEER