

PLAN VIEW

APPROX. CONCRETE QUANTITIES

PIPE SIZE	MIN. HEIGHT	CU. YDS. CONC.
15"	2'-11"	0.89
18"	3'-3"	0.97
24"	4'-9"	1.38

APPROXIMATE WEIGHTS

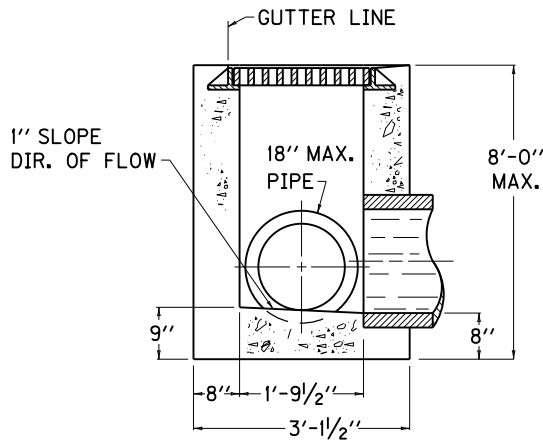
FRAME 195 LBS.

GRATE 265 LBS.

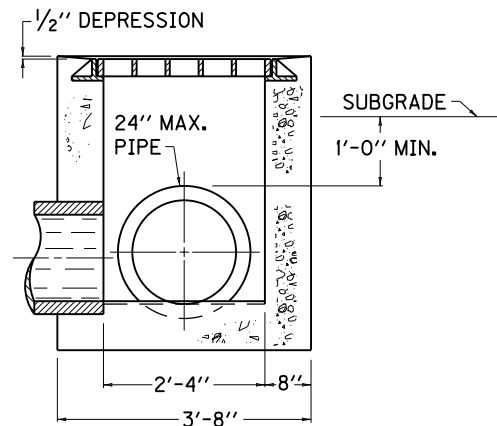
NO DEDUCTIONS HAVE BEEN MADE FOR PIPE.

BID ITEM AND UNIT TO BID
DROP BOX INLET TYPE II

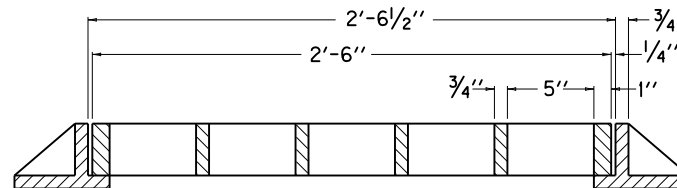
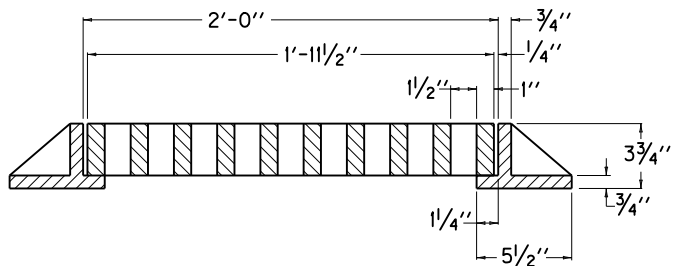
EACH



SECTION A-A



SECTION B-B



SECTIONAL VIEW OF FRAME AND GRATE

KENTUCKY
DEPARTMENT OF HIGHWAYS

DROP BOX
INLET TYPE II

STANDARD DRAWING NO. RDB-011-08

SUBMITTED *William S. Galbraith* 12-01-15
DIRECTOR, DIVISION OF DESIGN DATE
APPROVED *[Signature]* 12-01-15
STATE HIGHWAY ENGINEER DATE