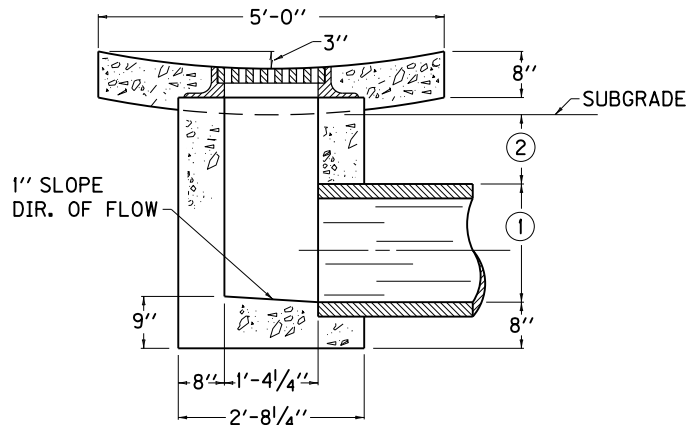


PLAN VIEW

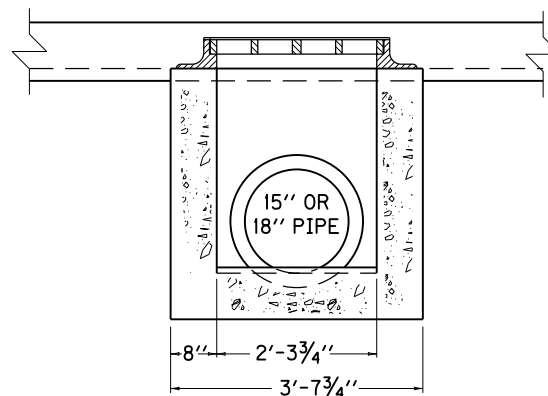
~ NOTES ~

BID ITEM AND UNIT TO BID
DROP BOX INLET TYPE 10 EACH

- ① 1'-5 1/4" FOR 15" PIPE
1'-8 1/2" FOR 18" PIPE
- ② 1'-0" MINIMUM COVER BELOW SUBGRADE.
- 3. PRIMARY USE: VALLEY GUTTER LOCATION
- 4. CONSTRUCT VALLEY GUTTER IN ACCORDANCE WITH CUR. STD. DWG. RPM-100.



SECTION A-A

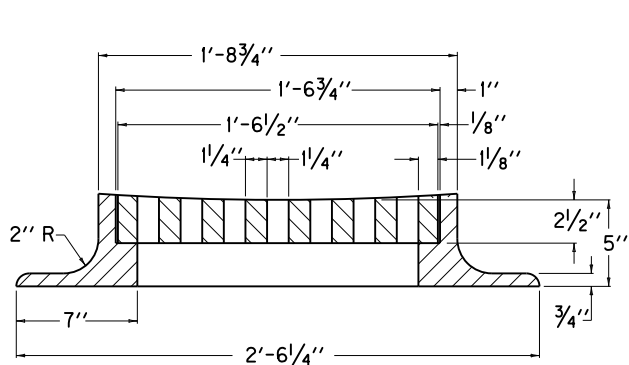


SECTION B-B

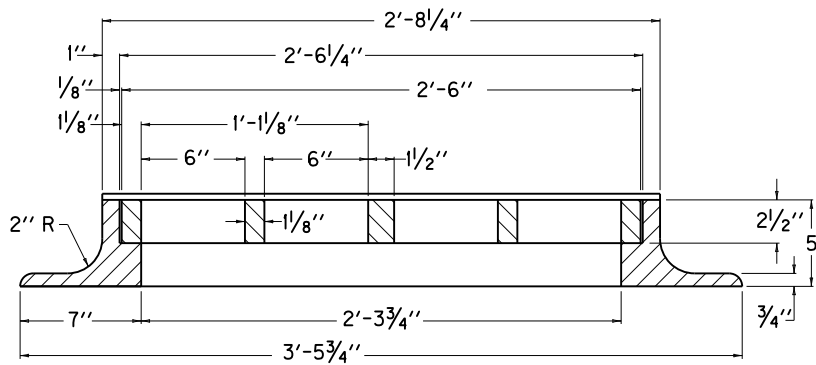
APPROX. CONCRETE QUANTITIES

PIPE SIZE	MIN. HEIGHT	CU. YDS. CONC.
15"	3'-4"	0.90
18"	3'-8"	0.97
APPROXIMATE WEIGHTS		
FRAME	365 LBS.	
GRATE	185 LBS.	

NO DEDUCTIONS HAVE BEEN MADE FOR PIPE.



SECTIONAL VIEW OF FRAME AND GRATE



USE WITH CUR. STD. DWG.
RPM-100

KENTUCKY
DEPARTMENT OF HIGHWAYS

DROP BOX INLET
TYPE 10

STANDARD DRAWING NO. RDB-010-07

SUBMITTED *William S. Gullett* 12-01-15
DATE DIRECTOR, DIVISION OF DESIGN
APPROVED *[Signature]* 12-01-15
DATE STATE HIGHWAY ENGINEER