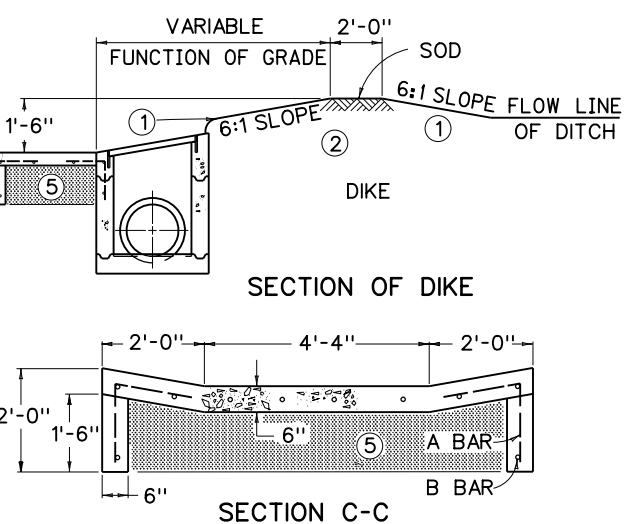
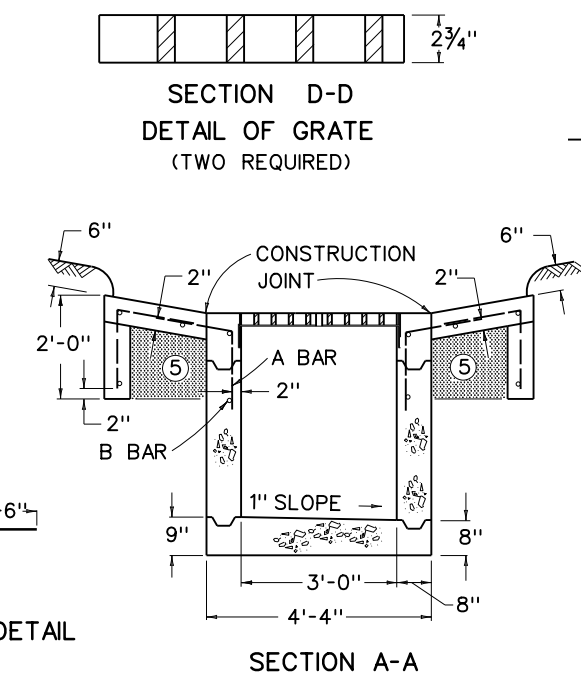
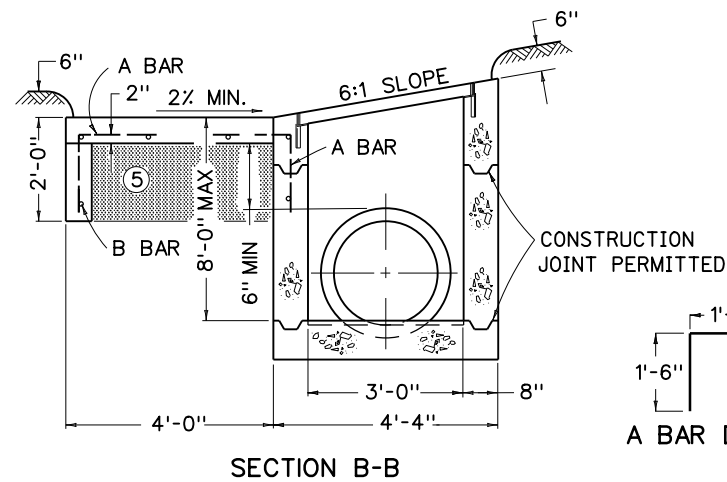


STR. STEEL WTS.		
1 GRATE	TOTAL	FRAME
132.5 LBS	265 LBS	51 LBS



BILL OF REINFORCEMENT

BAR	NO. OF BARS	SIZE	LENGTH	APPROX. SPACING
A	40 OR 56	#5	3'-0"	1'-0" C TO C
B	25 OR 40	#4	4'-0"	AS SHOWN

~ NOTES ~

- BID ITEM AND UNIT TO BID
DROP BOX INLET TYPE I EACH
- 6:1 SLOPES ARE WITH REFERENCE TO DITCH GRADE.
- WHEN A BOX INLET IS PLACED IN A SAG, OMIT THE EARTH DIKE AND LONGITUDINAL SLOPE OF THE GRATE, AND PROVIDE A CONCRETE APRON ON EACH SIDE OF THE INLET.
- RATE OF INCREASE OR DECREASE 0.36 CU. YD. PER FOOT IN HEIGHT.
- DEDUCT APPROX. 0.1 CU. YD. OF CONCRETE PER PIPE.
- COMPACT THIS VOLUME WITH D.G.A. BASE OR GRAVEL BASE AND INCLUDE IN THE UNIT PRICE OF THE BOX. SODDING IS NOT INCLUDED.
- DOWNSTREAM DIKE COMPLETE AND IN PLACE IS INCLUDED IN THE CONTRACT UNIT PRICE OF THE INLET. SODDING IS NOT INCLUDED.

NOTE: PRIMARY USE (ROADSIDE DITCH LOCATION)

APPROX. QUANTITIES

TYPE	CONCRETE 3'-9" ③ BOX	REINF. STEEL
SAG	4.4 CU. YD.④	282 LBS
GRADE	3.4 CU. YD.④	192 LBS

**KENTUCKY
DEPARTMENT OF HIGHWAYS**

**DROP BOX
INLET
TYPE 1**

STANDARD DRAWING NO. RDB-001-12

SUBMITTED *William P. Gullett* 12-01-15
DIRECTOR, DIVISION OF DESIGN DATE

APPROVED *[Signature]* 12-01-15
STATE HIGHWAY ENGINEER DATE