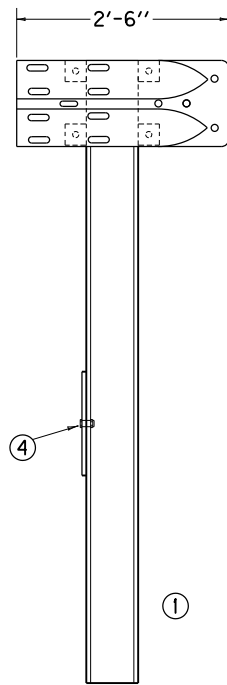
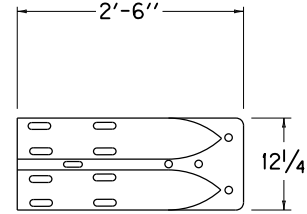


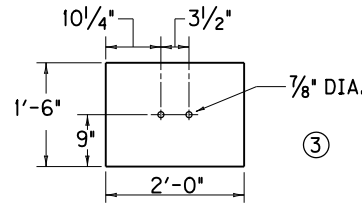
SIDE VIEW



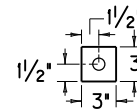
FRONT VIEW



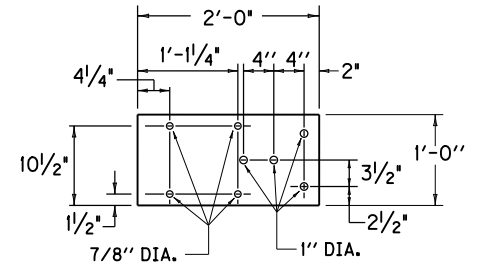
TERMINAL SECTION NO. 2



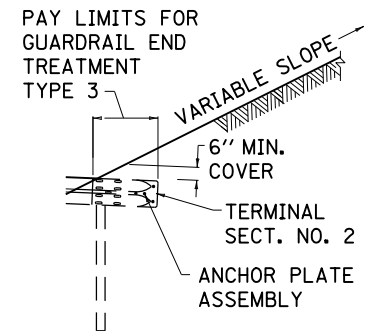
SOIL PLATE



TAB PLATE



ANCHOR PLATE ASSEMBLY ②



ELEVATION VIEW

~ NOTES ~

5. OFFSET BLOCKS MAY BE ELIMINATED ON ANY POST THAT IS COMPLETELY BELOW GRADE.
6. SEE CUR. STD. DWG. [RBR-001](#), [RBR-005](#), [RBR-010](#) AND [RBR-015](#) FOR APPLICABLE DETAILS AND SPECIFICATIONS.
7. GUARDRAIL END TREATMENT TYPE 3 SHALL BE TO THE PAY LIMITS AS DETAILED AND THE CONTRACT UNIT PRICE EACH SHALL INCLUDE TERMINAL SECTION NO. 2, GUARDRAIL ANCHOR POST, 4-BOLT ASSEMBLY PLATE, SOIL PLATE, HARDWARE, LABOR, EXCAVATION AND ALL INCIDENTALS NECESSARY FOR THE INSTALLATION.
 BID ITEM AND UNIT TO BID
 GUARDRAIL END TREATMENT TYPE 3
 ROADWAY OR BORROW EXCAVATION, OR EMBANKMENT-IN-PLACE

EACH
CUYD

BILL OF MATERIAL

NO.	QTY.	DESCRIPTION
①	1	W6x15 W-BEAM W/TAB PLATES (4 EA)
②	1	2' x 1' x 1/2" PLATE
③	1	2' x 18" x 1/4" PLATE
④	2	3/4" DIA. x 2" HEAVY HEX HD BOLT w/NUT & (2) FLAT WASHERS

USE WITH CUR. STD. DWGS.
[RBR-001](#), [RBR-005](#), [RBR-010](#)
[RBR-015](#), [RBR-030](#), [RBR-031](#)

KENTUCKY
 DEPARTMENT OF HIGHWAYS

GUARDRAIL END
 TREATMENT TYPE 3
 ALTERNATE ANCHOR

STANDARD DRAWING NO. [RBR-032](#)

SUBMITTED *William P. Galt* DATE 12-01-15
 DIRECTOR, DIVISION OF DESIGN
 APPROVED *[Signature]* DATE 12-01-15
 STATE HIGHWAY ENGINEER