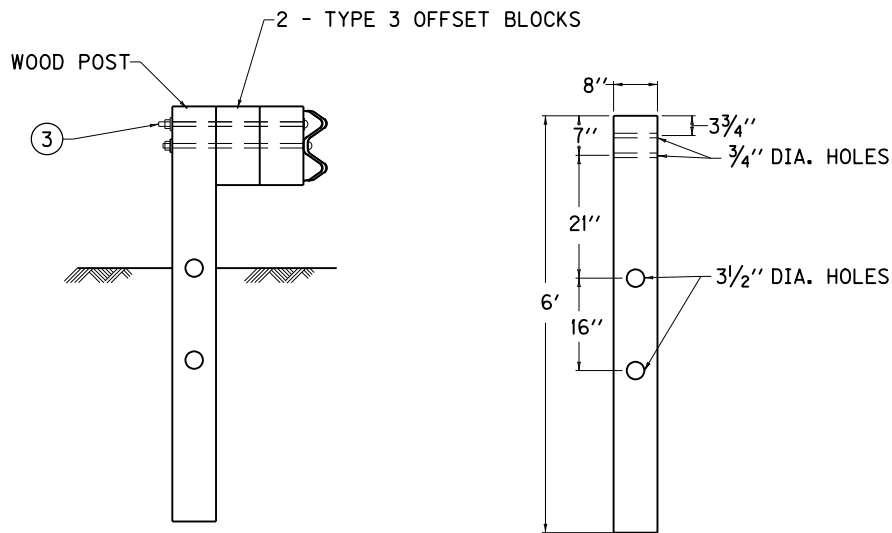
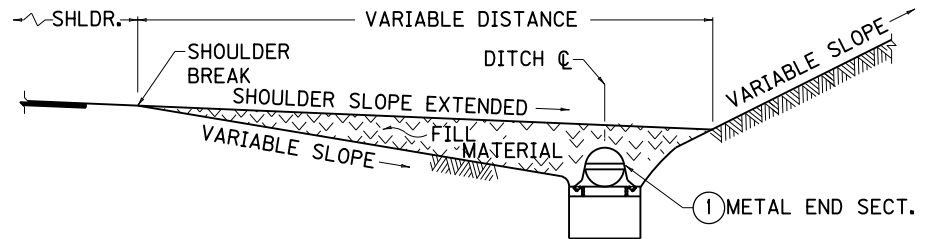


PLAN VIEW



6" X 8" CRT WOOD POST
W/ 2 OFFSET BLOCKS

6" X 8" CRT WOOD POST



SECTION A-A

~ NOTES ~

- BID ITEMS AND UNIT TO BID
- CHANNEL LINING CLASS II TON
- END ANCHOR LF
- PIPE LF
- METAL END SECTION EACH
- SEE CURRENT STANDARD DRAWING [RBR-030](#) FOR OTHER BID ITEMS.
- ① SEE CURRENT STANDARD DRAWING [RDB-150](#) AND [RDB-160](#) FOR METAL END SECTIONS.
- ② A MINIMUM DISTANCE OF 5'-0" BEHIND THE RAIL SHALL BE CLEAR OF ANY FIXED OBJECT HAZARDS.
- ③ 1 - 5/8" DIA. BOLT WITH TWO ROUND WASHERS.
- ④ SEE CURRENT STANDARD DRAWING [RBR-032](#) FOR ALTERNATE END ANCHOR.

USE WITH CUR. STD. DWGS.
[RBR-030](#), [RBR-032](#), [RDB-150](#)
[RDB-160](#), [RDX-060](#), [RDX-065](#)

KENTUCKY	
DEPARTMENT OF HIGHWAYS	
GUARDRAIL END TREATMENT TYPE 3 PIPE DRAINAGE DETAIL	
STANDARD DRAWING NO. RBR-031-01	
SUBMITTED <i>William P. Hubert</i>	DATE 12-01-15
<small>DIRECTOR, DIVISION OF DESIGN</small>	
APPROVED <i>[Signature]</i>	DATE 12-01-15
<small>STATE HIGHWAY ENGINEER</small>	