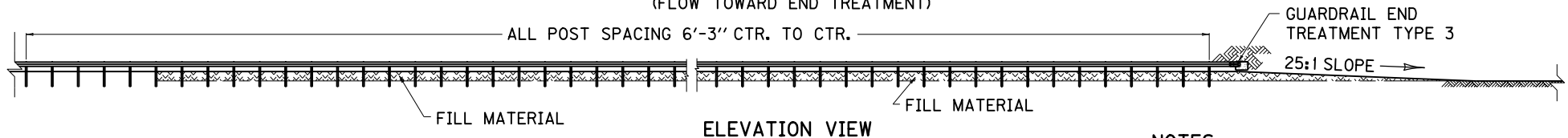
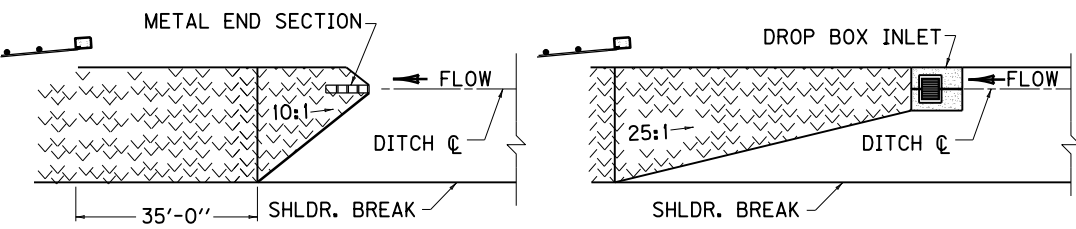


PLAN VIEW
(FLOW TOWARD END TREATMENT)

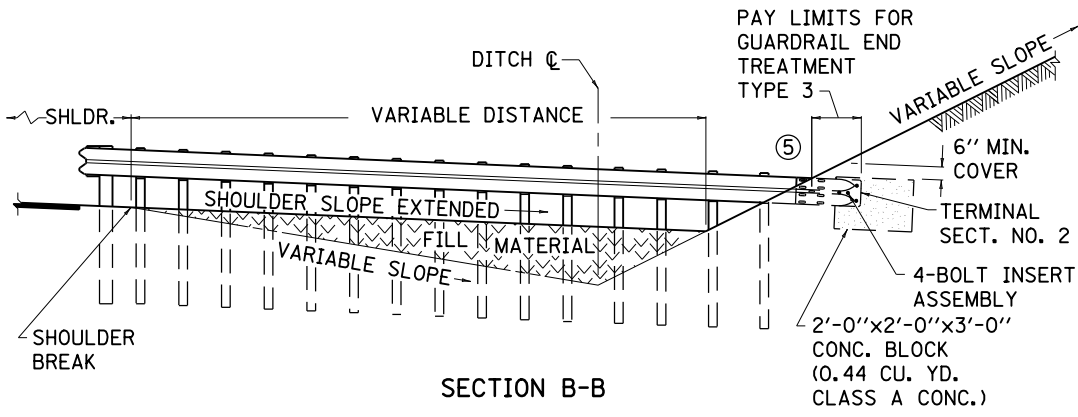


ELEVATION VIEW



GRADING DETAILS

- ~ NOTES ~
- 1. BID ITEMS AND UNIT TO BID GUARDRAIL END TREATMENT TYPE 3 ROADWAY OR BORROW EXCAVATION, OR EMBANKMENT IN PLACE DRAINAGE STRUCTURE BID SEPARATELY EACH CU. YD. EACH
 - 2. THE CONTRACT UNIT PRICE FOR GUARDRAIL END TREATMENT TYPE 3 SHALL INCLUDE THE CONCRETE BLOCK, TERMINAL SECTION NO. 2, FOUR BOLT INSERT ASSEMBLY AND ALL INCIDENTALS NECESSARY TO COMPLETE THE WORK.
 - 3. OFFSET BLOCKS MAY BE ELIMINATED ON ANY POST THAT IS COMPLETELY BELOW GRADE.
 - 4. SEE CUR. STD. DWG. [RBC-100](#) FOR 4-BOLT INSERT ASSEMBLY DETAILS.
 - 5. SEE CUR. STD. DWG. [RBR-032](#) FOR ALTERNATE END ANCHOR.



SECTION B-B

① FLARE RATES			
DESIGN SPEED	70+ MPH	60 MPH	50 MPH OR LESS
FLARE RATES	15:1	13:1	11:1

USE WITH CUR. STD. DWGS. [RBC-100](#), [RDB-005](#), [RBR-032](#)

KENTUCKY
DEPARTMENT OF HIGHWAYS

GUARDRAIL END
TREATMENT TYPE 3

STANDARD DRAWING NO. RBR-030-05

SUBMITTED *William P. Hall* 12-01-15
DATE
DIRECTOR, DIVISION OF DESIGN
APPROVED *[Signature]* 12-01-15
DATE
STATE HIGHWAY ENGINEER