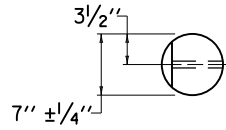
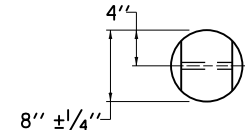


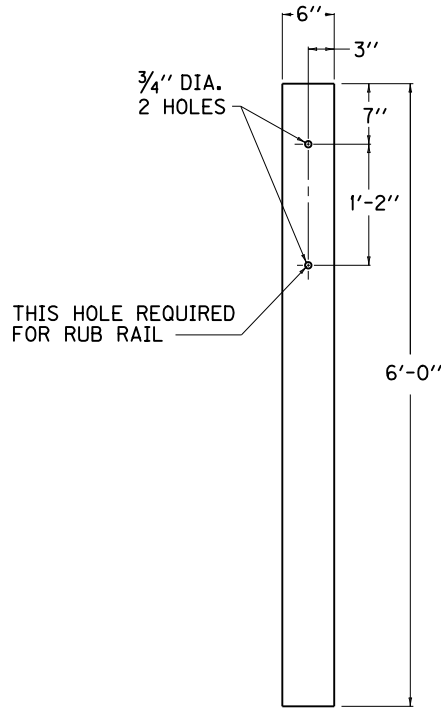
PLAN VIEW



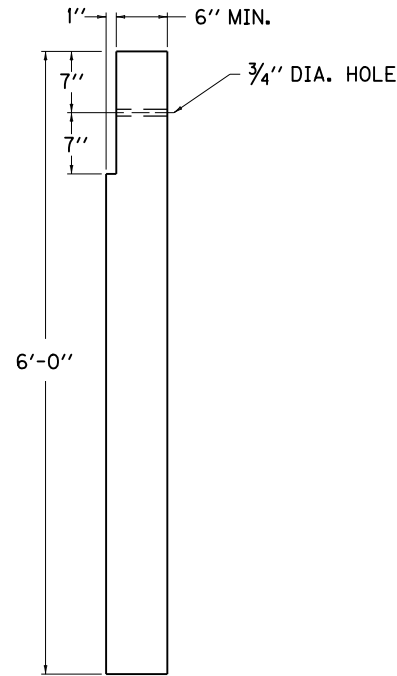
PLAN VIEW



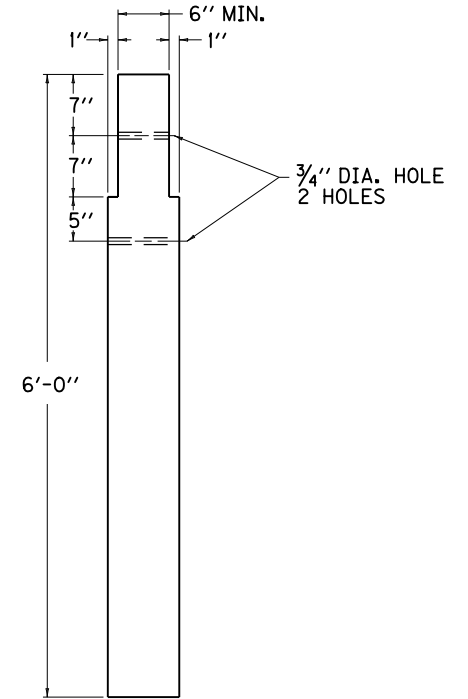
PLAN VIEW



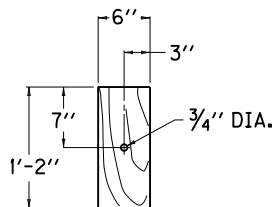
FRONT ELEVATION  
6"x8" TIMBER POST



7" ROUND TIMBER POST  
(SINGLE FACE RAIL)



8" ROUND TIMBER POST  
(DOUBLE FACE RAIL)



FRONT ELEVATION  
OFFSET BLOCK TYPE 3  
(6" X 8" TIMBER)  
(FOR USE WITH RECTANGULAR  
AND ROUND POSTS)

<b>KENTUCKY DEPARTMENT OF HIGHWAYS</b>	
<b>TIMBER GUARDRAIL POSTS</b>	
STANDARD DRAWING NO. RBR-016-05	
SUBMITTED <i>William S. Gullett</i>	DATE 12-01-15
<small>DIRECTOR, DIVISION OF DESIGN</small>	
APPROVED <i>[Signature]</i>	DATE 12-01-15
<small>STATE HIGHWAY ENGINEER</small>	