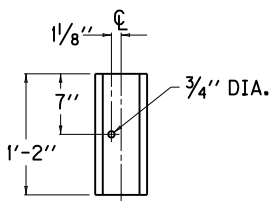
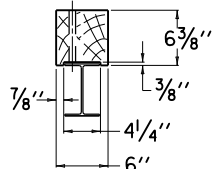


SIDE VIEW FRONT VIEW SECTION A-A

~ W6 X 9.0 STEEL POST ① ~

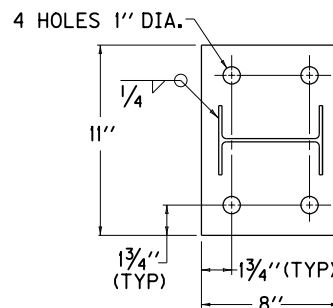


REAR ELEVATION



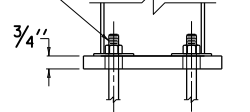
PLAN VIEW

OFFSET BLOCK TYPE 4
(TIMBER)
(FOR USE WITH STEEL POST ONLY)

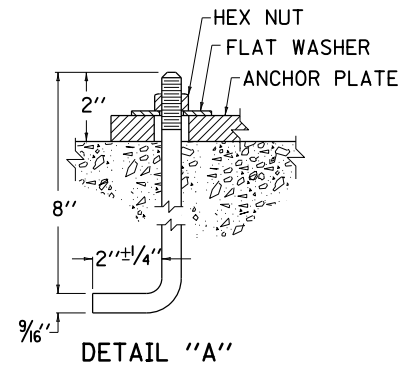


PLAN VIEW

SEE DETAIL "A"



SIDE VIEW
ANCHOR PLATE



DETAIL "A"

~ NOTES ~

- ① W6 X 8.5 IS AN ACCEPTABLE ALTERNATE.
- ② THESE HOLES ARE REQUIRED FOR ATTACHING RAIL.

KENTUCKY DEPARTMENT OF HIGHWAYS		
STEEL GUARDRAIL POSTS		
STANDARD DRAWING NO. RBR-015-05		
SUBMITTED <i>William P. Galt</i>	DIRECTOR, DIVISION OF DESIGN	12-01-15 DATE
APPROVED <i>[Signature]</i>	STATE HIGHWAY ENGINEER	12-01-15 DATE