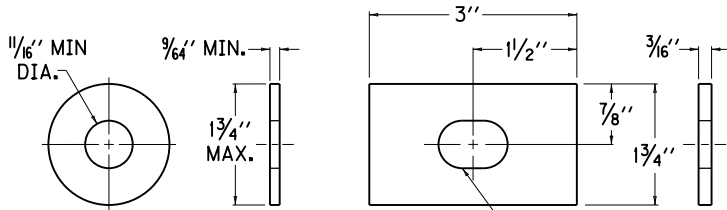


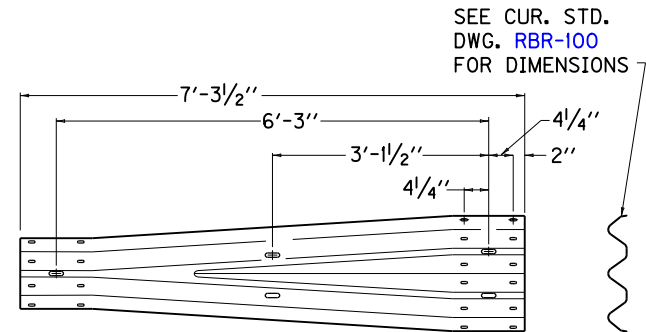
5/8" BUTTON HEAD BOLT AND RECESSED NUT

- ~ NOTES ~
- ① RAIL BOLT SIMILAR EXCEPT LENGTH.
 - ② THE THRIE BEAM TO "W" BEAM CONNECTOR SHALL COMPLY WITH AASHTO M-180 CLASS A, TYPE 2 EXCEPT WHERE IT IS IN CONFLICT WITH THIS DETAIL.
- BID ITEM AND UNIT TO BID
THRIE BEAM TO W BEAM CONNECTOR EACH



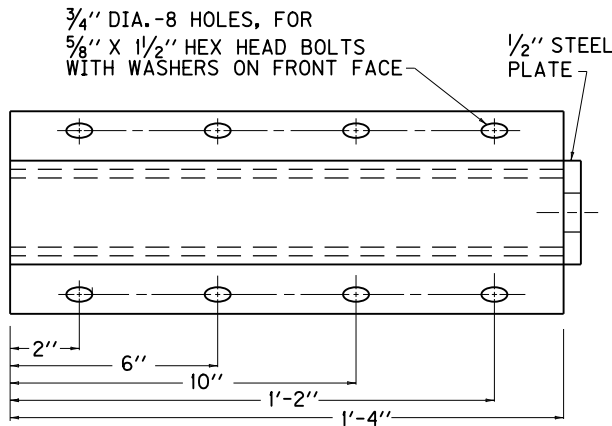
ROUND WASHER AND RECTANGULAR PLATE WASHER

SEE CUR. STD. DWG. RBR-001 FOR DIMENSIONS

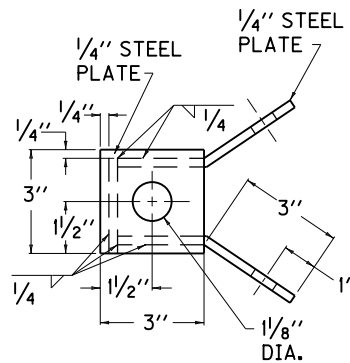


SEE CUR. STD. DWG. RBR-100 FOR DIMENSIONS

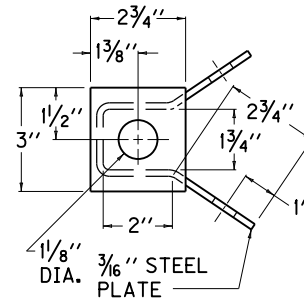
THRIE BEAM TO "W" BEAM CONNECTOR ②



RAIL ANCHOR ASSEMBLY



ALTERNATE NO. 1



ALTERNATE NO. 2

USE WITH CUR. STD. DWG. RBR-001, RBR-100

KENTUCKY DEPARTMENT OF HIGHWAYS

GUARDRAIL COMPONENTS

STANDARD DRAWING NO. RBR-005-11

SUBMITTED *William P. Galt* 12-01-15
DATE DIRECTOR, DIVISION OF DESIGN
APPROVED *[Signature]* 12-01-15
DATE STATE HIGHWAY ENGINEER