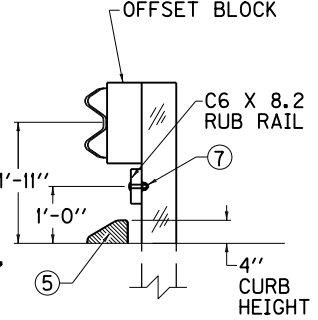
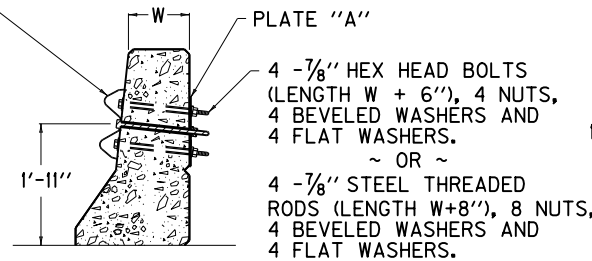
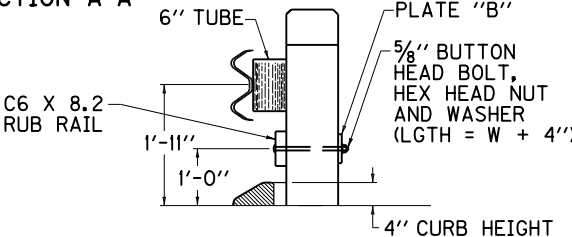


PLAN VIEW

SECTION A-A



SECTION B-B



SECTION C-C

~ NOTES ~

1. GENERAL
 - a. SEE CUR. STD. DWGS. IN THE **RBB**, **RBI**, **RBR**, AND **RPM-SERIES** FOR OTHER RELATED GUARDRAIL DETAILS AND BRIDGE PLANS FOR BRIDGE WING DETAIL.
 - b. SEE CUR. STD. DWG. **RDB-SERIES** FOR CURB BOX INLET TYPE B.
 - c. GUARDRAIL CONNECTOR TO BRIDGE END TYPE A IS FOR USE ON BOTH BRIDGE ENDS OF AN UNDIVIDED HIGHWAY AND ON THE APPROACH BRIDGE ENDS OF A DIVIDED HIGHWAY.
2. MATERIAL REQUIREMENTS

ALL HARDWARE SHALL BE GALVANIZED. (AASHTO M-232)

5/8" STEEL PLATE "A" AND "B" (AASHTO M-270)

7/8" HEX HEAD BOLTS OR STEEL THREADED RODS (LENGTH AS SHOWN)

7/8" HEAVY HEX NUTS (7/8" THICK) (AASHTO M-291)

7/8" FLAT WASHERS (3/16" THICK) (AASHTO M-293)

7/8" BEVELED WASHERS (5/16" MEAN THICKNESS) (AASHTO M-293)

BOTH THE BOLT AND THREADED ROD SHALL HAVE A MINIMUM OF 50,000 LBS. TENSILE STRENGTH AT THE NARROWEST POINT.
3. CONSTRUCTION METHODS
 - a. ELIMINATE EXTRA OFFSET BLOCKS WHEN CURB BOX INLET TYPE B IS NOT REQUIRED.
 - b. HOLES TO BE FORMED THROUGH BRIDGE WING WITH 1" I.D. PLASTIC PIPE FOR 7/8" BOLTS AND 3/4" I.D. PLASTIC PIPE FOR 5/8" BOLTS, PIPE SHALL REMAIN IN PLACE.
4. METHOD OF MEASUREMENT AND BASIS OF PAYMENT
 - a. GUARDRAIL CONNECTOR TO BRIDGE END TYPE A SHALL BE PAID FOR AT THE CONTRACT UNIT PRICE EACH, AND INCLUDES: TERMINAL SECTION NO. 2; ALL ITEMS WHICH ARE IN ADDITION TO THE NORMAL INSTALLATION OF STEEL BEAM GUARDRAIL (EXTRA POSTS, OFFSET BLOCKS, RAIL ELEMENTS, SPACER TUBE, HARDWARE, RUB RAIL, ETC.), AND OTHER INCIDENTALS NECESSARY TO COMPLETE THE INSTALLATION AS DETAILED. STEEL "W" BEAM GUARDRAIL (SINGLE FACE) AND ISLAND HEADER CURB ARE SEPARATE BID ITEMS WHICH ARE ALWAYS REQUIRED. CURB BOX INLET TYPE B IS A SEPARATE BID ITEM THAT WILL BE USED WHEN REQUIRED FOR BRIDGE END DRAINAGE.

BID ITEMS AND UNIT TO BID	
GUARDRAIL CONNECTOR TO BRIDGE END TY A	EACH
GUARDRAIL-STEEL "W" BEAM-S FACE	LF
ISLAND HEADER CURB TYPE 1 OR 2	LF
CURB BOX INLET TYPE B (AS REQUIRED)	EACH
 - b. THE PLASTIC PIPE AND COST OF FORMING SHALL BE INCLUDED IN THE UNIT PRICE BID FOR BRIDGE SUPERSTRUCTURE CONCRETE.

5. ISLAND HEADER CURB. TRANSITION FROM ISLAND CURB SHAPE TO SHAPE ON BRIDGE WING WITHIN 7'-3". LENGTH OF CURB VARIABLE (22'-3" WHEN L=5'-0") (17'-3" WHEN L=10'-0") (12'-3" WHEN L=15'-0") (7'-3" WHEN L=20'-0"). ON APPROACH END CONSTRUCT 25'-0" OF ISLAND HEADER CURB EVEN WHEN CURB BOX INLET TYPE B IS NOT REQUIRED.
6. 6'-4" WHEN L=5'-0"
11'-4" WHEN L=10'-0" ★
16'-4" WHEN L=15'-0"
21'-4" WHEN L=20'-0"
7. 5/8" X 3/2" BUTTON HEAD BOLT, HEX HEAD NUT.
8. CURB BOX NOT REQUIRED UNLESS NEEDED FOR DRAINAGE.

★ 10'-0" LENGTH IS REQUIRED UNLESS OTHERWISE NOTED.

L EQUALS THROAT LENGTH OF BOX.

USE WITH CUR. STD. DWGS.
BHS-008, RBC-002, RBC-003
RBR-O10

KENTUCKY	
DEPARTMENT OF HIGHWAYS	
GUARDRAIL CONNECTOR TO BRIDGE END TYPE A	
STANDARD DRAWING NO. RBC-005	
SUBMITTED <i>W. S. Hall</i>	DATE 12-01-15
APPROVED <i>[Signature]</i>	DATE 12-01-15
DIRECTOR, DIVISION OF DESIGN	STATE HIGHWAY ENGINEER