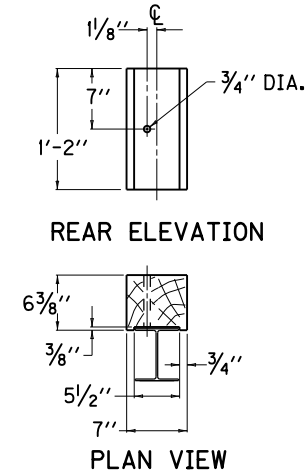
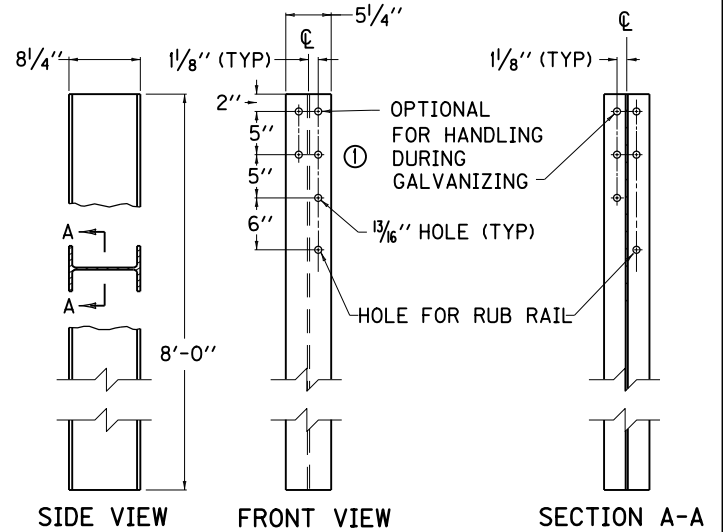


~ W6 X 9.0 STEEL GUARDRAIL POST ~
(USED WITH C6 X 8.2 RUB RAIL)



OFFSET BLOCK TYPE 6
(TIMBER)

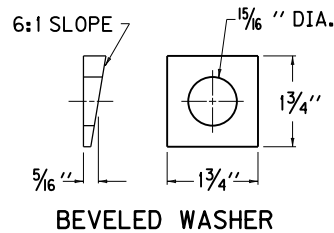
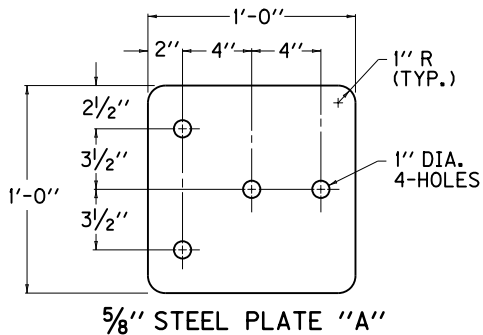
(FOR USE WITH W8 X 21 STEEL POST ONLY)



~ W8 X 21 STEEL GUARDRAIL POST ~

~ NOTES ~

① THESE HOLES ARE REQUIRED FOR ATTACHING RAIL.



USE WITH CUR. STD. DWGS.
RBC-002, RBC-005, RBC-006

KENTUCKY		
DEPARTMENT OF HIGHWAYS		
GUARDRAIL CONNECTOR		
TO BRIDGE END		
TYPE A AND A-1		
COMPONENTS		
STANDARD DRAWING NO. RBC-003-08		
SUBMITTED	<i>William P. Gullett</i>	12-01-15
	DIRECTOR, DIVISION OF DESIGN	DATE
APPROVED	<i>[Signature]</i>	12-01-15
	STATE HIGHWAY ENGINEER	DATE