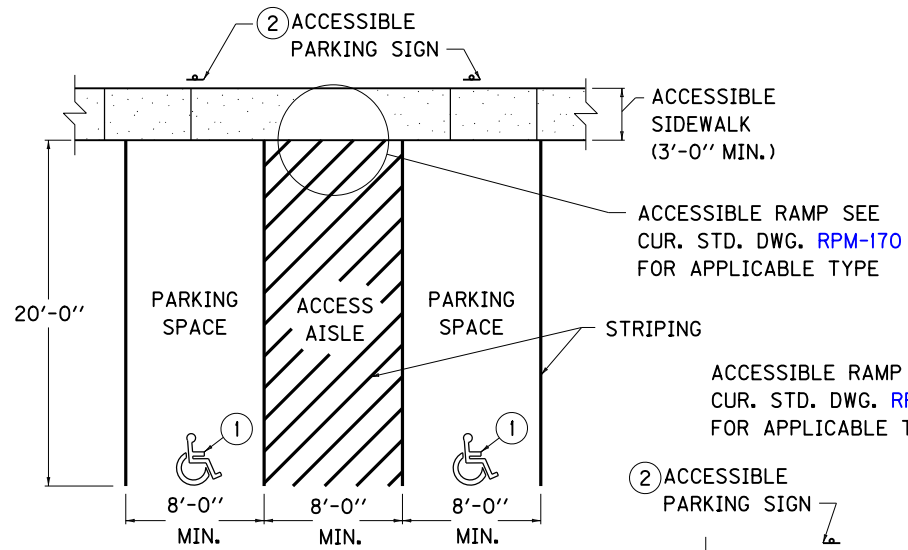
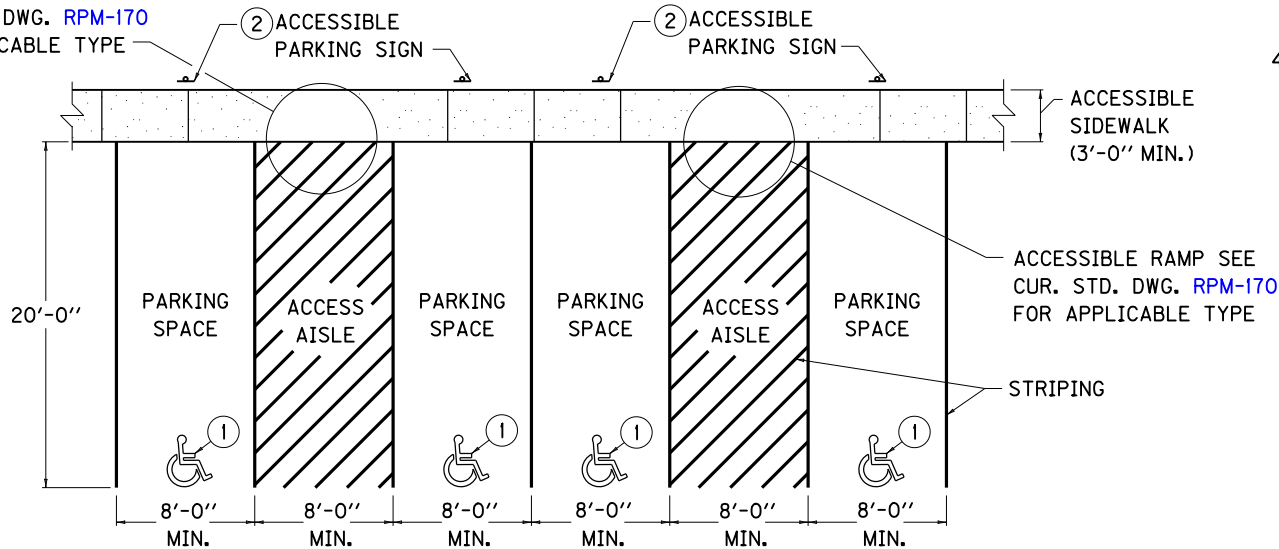


PLAN VIEW OF ONE ACCESSIBLE PARKING SPACE

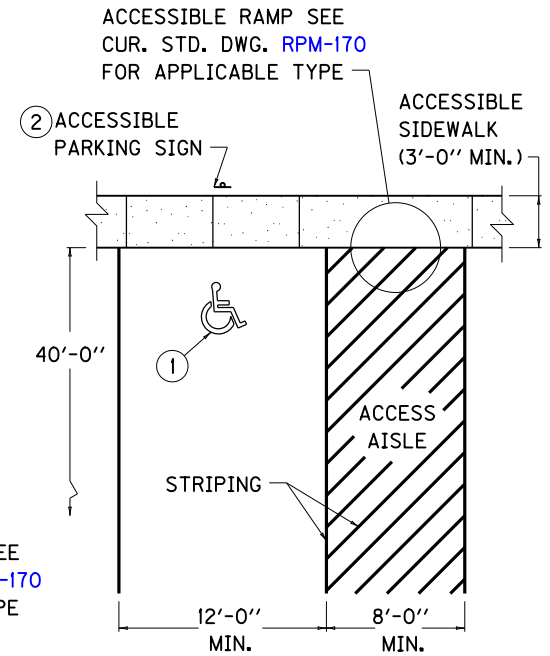


PLAN VIEW OF TWO ACCESSIBLE PARKING SPACES

ACCESSIBLE RAMP SEE CUR. STD. DWG. RPM-170 FOR APPLICABLE TYPE



PLAN VIEW OF MULTIPLE ACCESSIBLE PARKING SPACES



PLAN VIEW OF BUS ACCESSIBLE PARKING SPACE

USE WITH CUR. STD. DWG. RPM-170

- NOTES**
- ① INTERNATIONAL SYMBOL OF ACCESSIBILITY.
  - ② INTERNATIONAL SYMBOL OF ACCESSIBILITY WITH "VAN-ACCESSIBLE" SIGN MOUNTED BELOW.
  3. SEE ELSEWHERE IN THE PLANS FOR APPLICABLE ACCESSIBLE SIGNING DETAILS.
  4. SEE ELSEWHERE IN THE PLANS FOR STRIPING DETAILS.

KENTUCKY DEPARTMENT OF HIGHWAYS		
ACCESSIBLE PARKING SPACE DETAILS		
STANDARD DRAWING NO. RPX-100-02		
SUBMITTED	<i>John B. Sackett</i> DIRECTOR, DIVISION OF DESIGN	12-1-99 DATE
APPROVED	<i>J. M. Powell</i> STATE HIGHWAY ENGINEER	12-1-99 DATE