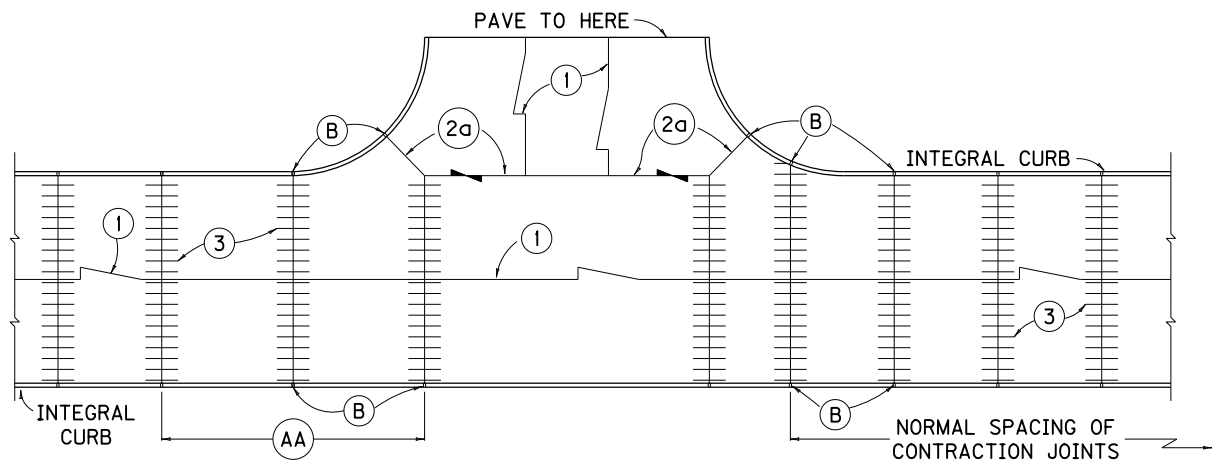


TYPICAL DIVIDED PAVEMENT WITH DEPRESSED MEDIAN AND CROSSOVER

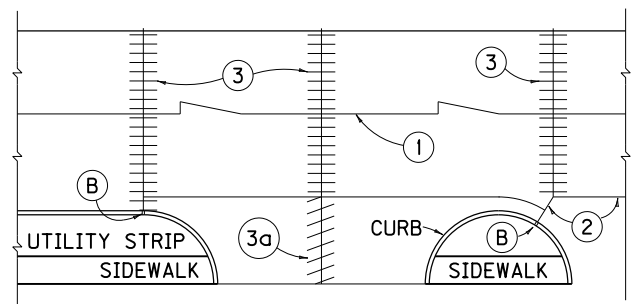


CEMENT CONCRETE BASE WITH INTEGRAL CURB

NOTES

ALL INTEGRAL CURBS CONSTRUCTED WITH CONCRETE BASE OR PAVEMENT SHALL HAVE JOINTS COINCIDING WITH THE TRANSVERSE JOINTS AND OTHER JOINTS SHOWN ON THIS STANDARD DRAWING. THE JOINTS SHALL BE FILLED WITH 1/2" PREMOLDED EXPANSION JOINT FILLER, CUT TO THE REQUIRED SECTION. SEE CURRENT STANDARD DRAWING RPS-010 FOR JOINT SYMBOLS AND DETAILS.

- (A) EQUALLY DIVIDE AND CONSTRUCT LONGITUDINAL SAWED JOINT WHEN DISTANCE BECOMES GREATER THAN 16 FEET.
- (B) 1/2" EXPANSION JOINT FILLER.
- (C) TRANSVERSE CONTRACTION JOINT REQUIRED ONLY WHEN DISTANCE IN EXCESS OF NORMAL SPACING OF CONTRACTION JOINTS.
- (D) NO CONTRACTION JOINTS REQUIRED BETWEEN THESE TWO CONTRACTION JOINTS WHEN DISTANCE IS LESS THAN NORMAL SPACING OF JOINTS. EQUALLY DIVIDE WHEN DISTANCE IS GREATER THAN 20 FEET AND LESS THAN 40 FEET.
- (AA) THIS DISTANCE TO BE EQUALLY DIVIDED WHEN GREATER THAN 20 FEET AND LESS THAN 40 FEET.



COMMERCIAL ENTRANCE

USE WITH CUR. STD. DWG.
RPS-010

KENTUCKY DEPARTMENT OF HIGHWAYS	
CONCRETE PAVEMENT JOINTS TYPES AND SPACING	
STANDARD DRAWING NO. RPS-034-06	
SUBMITTED: <i>Don W. Stang</i>	12-2-02
<small>DIRECTOR DIVISION OF DESIGN</small>	<small>DATE</small>
APPROVED: <i>F. M. Youell</i>	12-2-02
<small>STATE HIGHWAY ENGINEER</small>	<small>DATE</small>