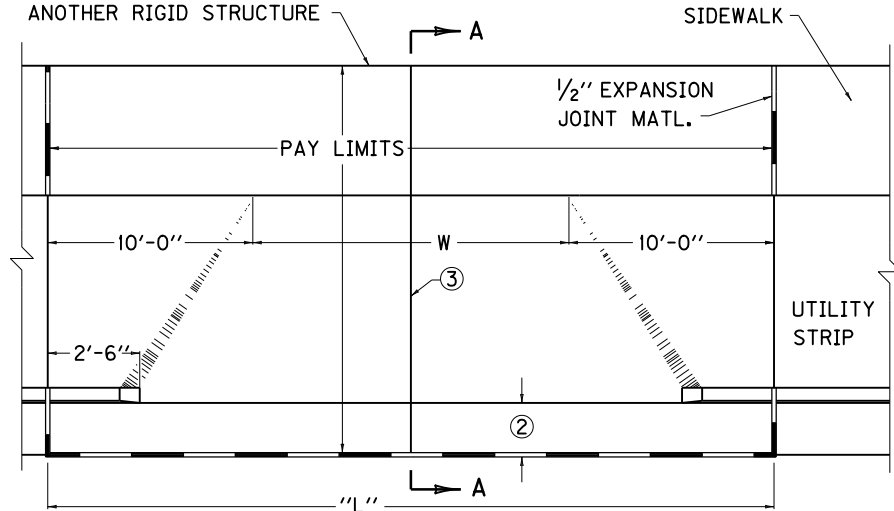


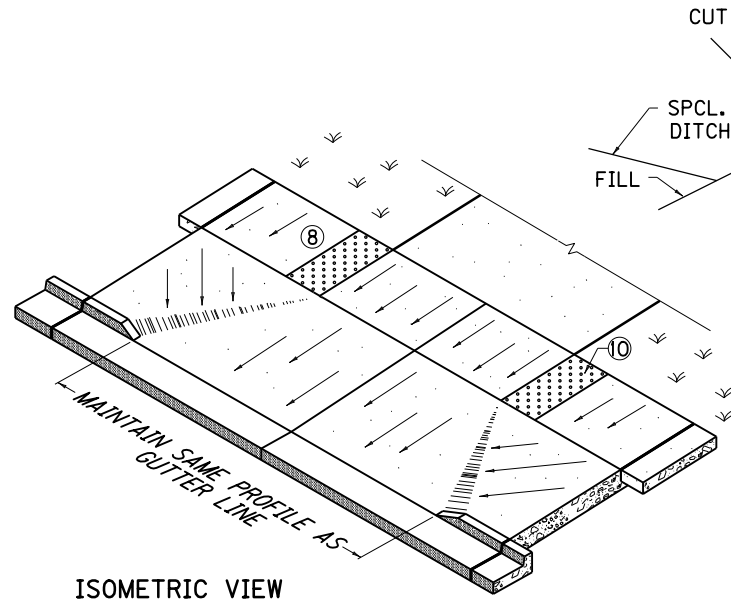
EXP. JOINT REQUIRED WHEN ABUTTING ANOTHER RIGID STRUCTURE



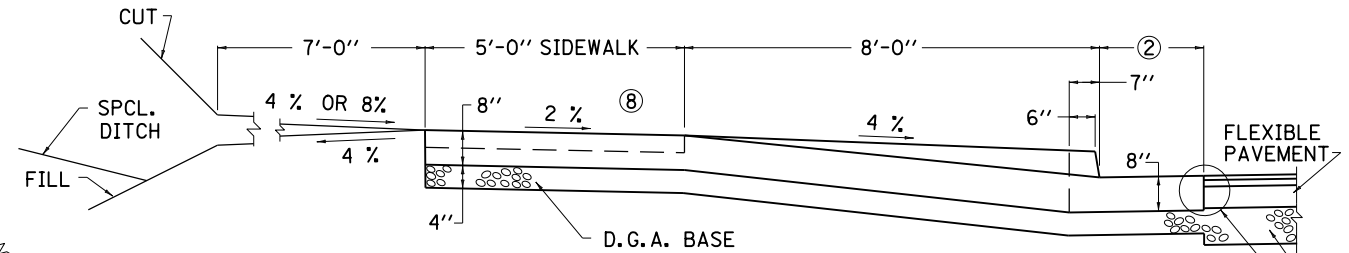
PLAN VIEW

- ① FOR WIDTH W:  
 COMMERCIAL - MINIMUM W = 24'-0", MAXIMUM W = 36'-0"  
 WHEN MORE THAN 2 LANES ARE REQUIRED, 36'-0" WIDTH MAY BE INCREASED TO RELIEVE INTERFERENCE BETWEEN ENTERING AND EXITING TRAFFIC. AT THE ENGINEER'S DISCRETION RADIAL RETURNS MAY BE USED ON ENTRANCES. SOME APPLICABLE CASES ARE THE FOLLOWING:
- a. ON ENTRANCES EXPECTED TO CARRY HIGH VOLUMES OF TRAFFIC.
  - b. WHEN ENTRANCE WIDTH IS GREATER THAN 36'.
  - c. WHEN THE HIGHWAY HAS A POSTED OR OPERATING SPEED OVER 40 MPH.
  - d. ON A RURAL SECTION WHERE A FLUSH SHOULDER EXISTS.
  - e. WHERE AN EXCLUSIVE RIGHT TURN LANE IS USED.
- ② 1'-0" OR 2'-0" WITH CONCRETE PAVEMENT, 2'-0" WITH FLEXIBLE PAVEMENT.
- ③ WHEN "L" DIMENSION IS GREATER THAN 15'-0" A SAWED AND SEALED JOINT, 1/2" DEEP AND 1/4" WIDE SHALL BE PLACED AT THE CENTER OF THE "L" DIMENSION. WIDE ENTRANCES REQUIRE ADDITIONAL JOINTS, SPACING SHALL NOT EXCEED 15'-0" O.C.
4. CLASS "A" CONCRETE OR JOINTED PLAIN CONCRETE PAVEMENT SHALL BE USED IN THE ENTRANCE PAVEMENT.
5. THE ENTRANCE PAVEMENT SHALL RECEIVE A BROOM FINISH AND SHALL BE CURED THE SAME AS THE MAINLINE PAVEMENT AND/OR SIDEWALK.
6. THE CONTRACT UNIT PRICE BID PER SQUARE YARD FOR "CONC. ENT. PAVEMENT- 8 INCH (CODE NO. 2101)" SHALL INCLUDE CLASS "A" CONCRETE AND ALL INCIDENTALS NECESSARY TO COMPLETE THE WORK. D.G.A. AND DETECTABLE WARNINGS SHALL BE SEPARATE BID ITEMS.
7. PROVIDING THAT ADA GUIDELINES SHOWN IN NOTE ⑧ AND 9 ARE FOLLOWED, THE ENGINEER MAY MODIFY THE DESIGN TO BETTER FIT EXISTING CONDITIONS.
- ⑧ 2% CROSS SLOPE MAXIMUM ON SIDEWALK.
9. SIDEWALKS SHOULD BE DESIGNED WITH A MAX. GRADE OF FIVE PERCENT. WHERE A SIDEWALK RUNS ALONG A STEEP ROADWAY, THE SIDEWALK GRADE MAY EXCEED FIVE PERCENT IF IT FOLLOWS THE GRADE OF THE ROADWAY.
- ⑩ COMMERCIAL DRIVEWAYS WITH TRAFFIC CONTROL DEVICES REQUIRE ADA SIDEWALK TREATMENTS WITH DETECTABLE WARNINGS.

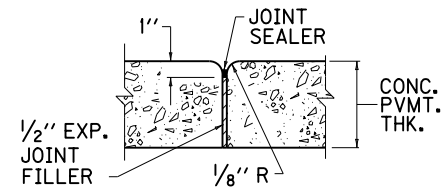
~ NOTES ~



ISOMETRIC VIEW



SECTION A-A



DETAIL A

SEE DETAIL A WITH CONCRETE PAVEMENT  
 D.G.A. BASE  
 USE WITH CUR. STD. DWG.  
 RGX-040

KENTUCKY DEPARTMENT OF HIGHWAYS	
CONCRETE ENTRANCE PAVEMENT AND SIDEWALK	
STANDARD DRAWING NO. RPM-152-07	
SUBMITTED: <i>[Signature]</i>	12-2-11
DIRECTOR, DIVISION OF DESIGN	DATE
APPROVED: <i>[Signature]</i>	12-2-11
STATE HIGHWAY ENGINEER	DATE