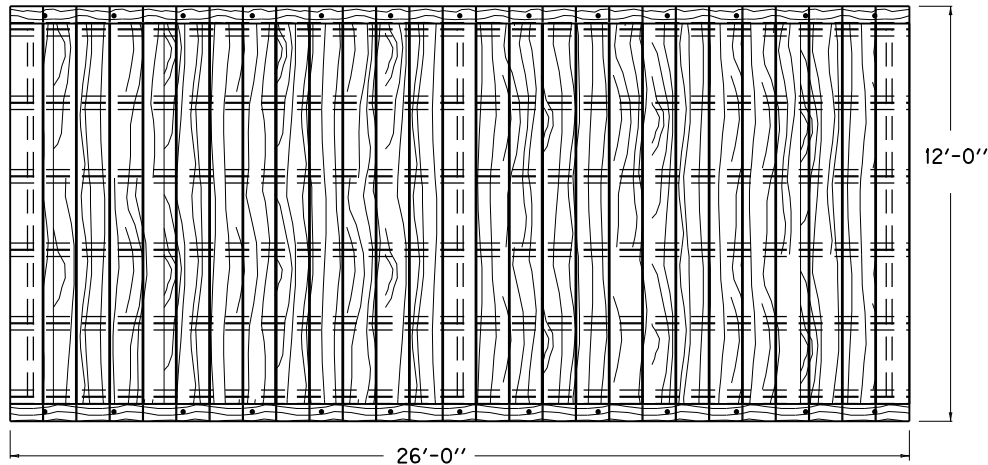
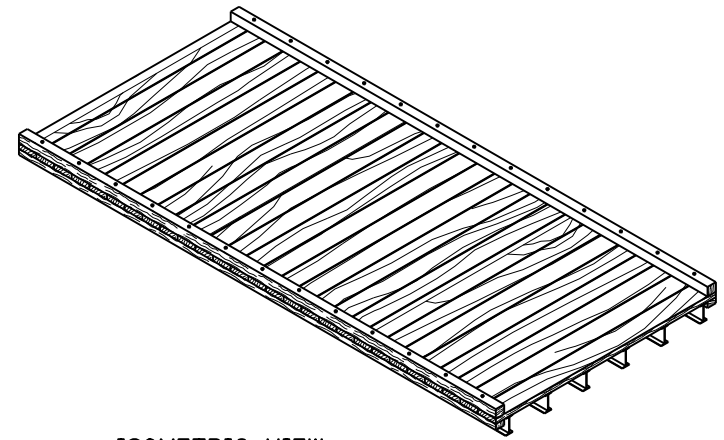


NOTES

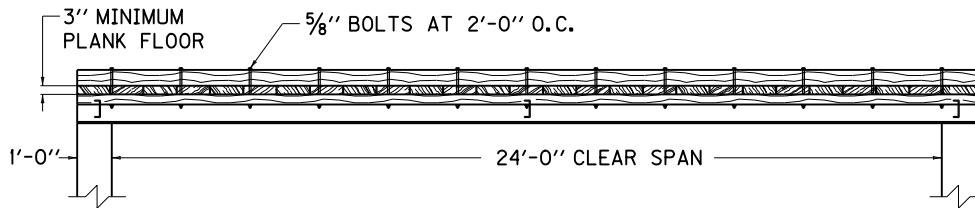
1. TYPES OF TEMPORARY BRIDGES AND PAVEMENT CROSSOVERS, OTHER THAN THE I-BEAM BRIDGE SHOWN HERE, WILL BE ACCEPTABLE UPON APPROVAL BY THE DEPARTMENT.
2. UNLESS OTHERWISE SPECIFIED THE STRUCTURE SHALL BE DESIGNED FOR AN H-10 LOADING.
3. STRUCTURE TO REMAIN THE PROPERTY OF THE CONTRACTOR.



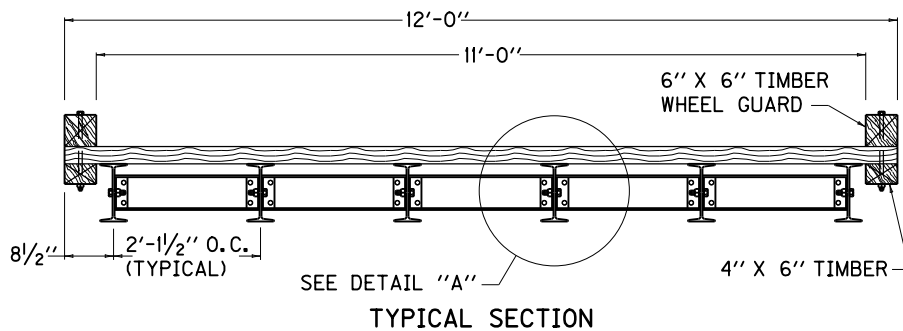
PLAN VIEW



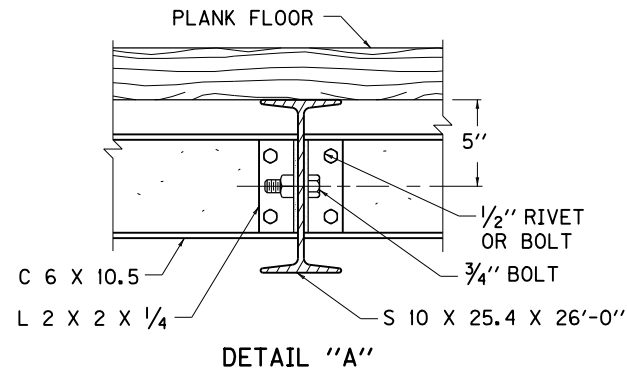
ISOMETRIC VIEW



ELEVATION VIEW



TYPICAL SECTION



DETAIL "A"

KENTUCKY	
DEPARTMENT OF HIGHWAYS	
TEMPORARY BRIDGE	
OR	
PAVEMENT CROSSOVER	
STANDARD DRAWING NO. RGX-003-02	
SUBMITTED: <i>John B. Sackett</i>	12-1-99
<small>DIRECTOR, DIVISION OF DESIGN</small>	<small>DATE</small>
APPROVED: <i>J. M. [Signature]</i>	12-1-99
<small>STATE HIGHWAY ENGINEER</small>	<small>DATE</small>