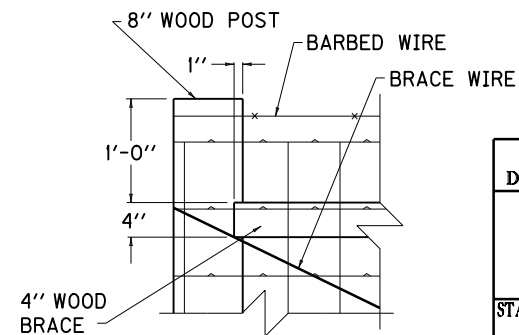


ALTERNATE METHODS OF SECURING VERTICAL STAY WIRE TO THE HORIZONTAL WIRE OF THE FABRIC.

DETAIL "A"



DETAIL "B"

NOTES

1. ON INTERMEDIATE PULL POST ASSEMBLIES, BRACE WIRES SHALL BE REQUIRED FOR BOTH DIRECTIONS.
2. WOVEN-WIRE FABRIC SHALL BE EITHER ALUMINUM-COATED STEEL NO. 1047-6-9 OR ZINC-COATED STEEL NO. 1047-6-9.

KENTUCKY DEPARTMENT OF HIGHWAYS	
WOVEN WIRE FENCE TYPE 2	
STANDARD DRAWING NO. RFW-006-06	
SUBMITTED: <i>John B. Sackett</i> DIRECTOR, DIVISION OF DESIGN	12-1-99 DATE
APPROVED: <i>J. M. [Signature]</i> STATE HIGHWAY ENGINEER	12-1-99 DATE