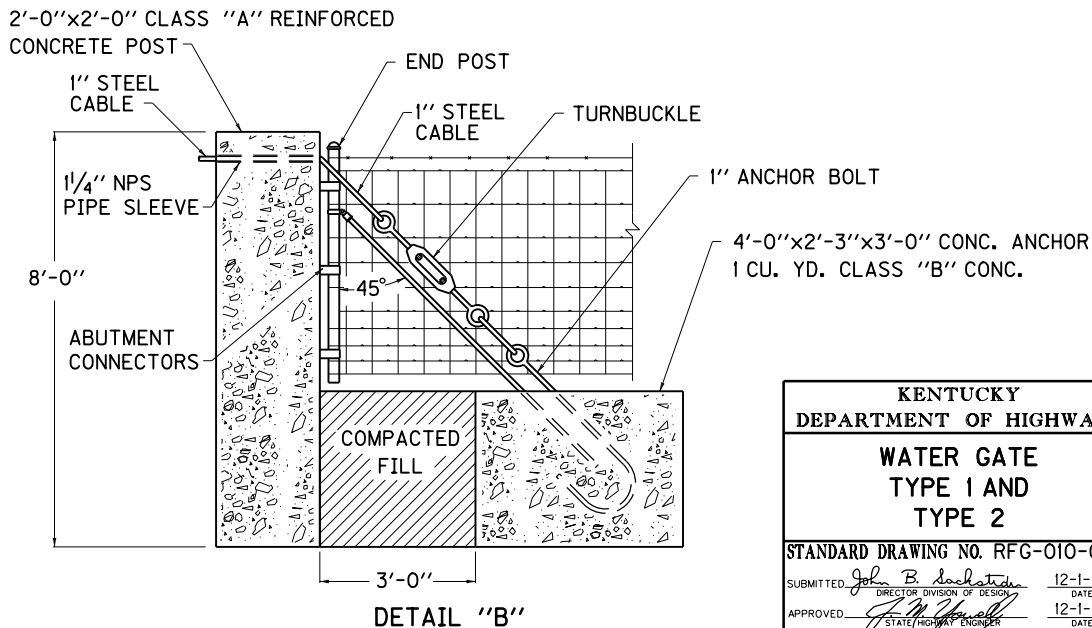
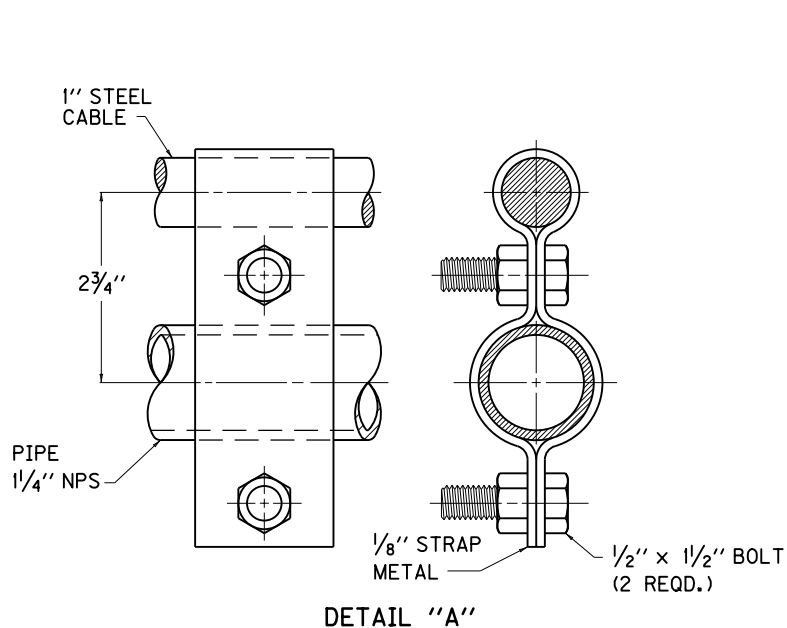


TYPICAL WATER GATE

CHANNEL TO BE CUT IN SUCH MANNER AS TO ALLOW GATES TO SWING AND BE RIPRAPPED IF SO DIRECTED ON CONSTRUCTION BY THE ENGINEER.

NOTES

THE CONTRACT UNIT PRICE SHALL BE: WATER GATE TYPE 1 OR WATER GATE TYPE 2.
 THIS ILLUSTRATION DEPICTS WATER GATE TYPE 1 USING WOVEN WIRE FABRIC. CHAIN LINK FENCE MAY BE USED AS TYPE 2.
 FABRIC TIE WIRES SHALL BE SPACED 1'-0" ON CENTERS. THE CONTRACTOR IS NOT TO ORDER GATES OF ANY TYPE UNTIL THEIR NECESSITY AND LOCATION ARE CERTIFIED BY THE ENGINEER.
 ALL FENCE FITTINGS SHALL COMPLY WITH ASTM F 626.
 WOVEN-WIRE FABRIC USED ON WATER GATE TYPE 1 SHALL BE EITHER ALUMINUM-COATED STEEL NO. 1047-6-9 OR ZINC COATED STEEL NO. 1047-6-9.
 WATER GATES SHALL HAVE HEAVY PRESSED STEEL CORNERS SECURELY RIVETED OR SHALL BE MACHINE NOTCHED AND ELECTRICALLY WELDED SO AS TO BE RIGID AND WATER TIGHT. ALL WELDED JOINTS SHALL BE CLEANED AND PAINTED WITH TWO (2) COATS OF ALUMINUM PAINT.
 NPS = NOMINAL PIPE SIZE - ASTM F1083 AND F1043 (HEAVY INDUSTRIAL FENCE) SHALL GOVERN.



KENTUCKY DEPARTMENT OF HIGHWAYS	
WATER GATE TYPE 1 AND TYPE 2	
STANDARD DRAWING NO. RFG-010-04	
SUBMITTED: <i>John B. Sackett</i> DIRECTOR, DIVISION OF DESIGN	12-1-99 DATE
APPROVED: <i>J. M. [Signature]</i> STATE HIGHWAY ENGINEER	12-1-99 DATE