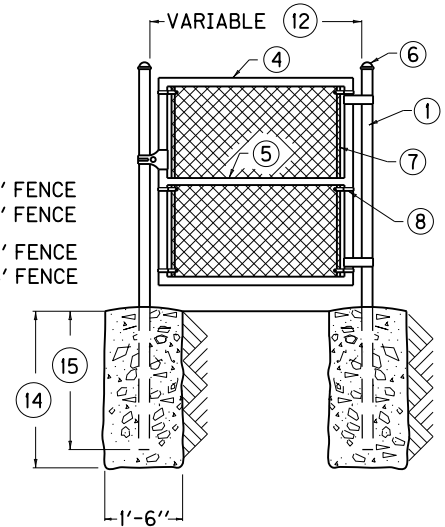


VEHICULAR GATE (4' AND 6' HIGH FENCE)
NOTES



PEDESTRIAN GATE
(4' AND 6' HIGH FENCE)

- (14) 3'-0" FOR 4' FENCE
3'-6" FOR 6' FENCE
- (15) 2'-6" FOR 4' FENCE
3'-0" FOR 6' FENCE

ALL POST SHALL BE SET IN CONCRETE TO THE DIMENSIONS AS INDICATED ON THIS DRAWING. VEHICULAR AND PEDESTRIAN GATES SHALL HAVE HEAVY PRESSED STEEL CORNERS SECURELY RIVETED OR SHALL BE MACHINE NOTCHED, AND ELECTRICALLY WELDED SO AS TO BE RIGID AND WATER TIGHT; AND EQUIPPED WITH PADLOCKING DEVICE AND GROUND STOP.

ALL WELDED JOINTS SHALL BE CLEANED AND PAINTED WITH TWO (2) COATS OF ALUMINUM PAINT.

4' HIGH GATES SHALL HAVE 4' FABRIC HEIGHT. 6' HIGH GATES SHALL HAVE 6' FABRIC HEIGHT. 8' HIGH GATES SHALL HAVE 7' FABRIC HEIGHT. 9' HIGH GATES SHALL HAVE 8' FABRIC HEIGHT. 10' HIGH GATES SHALL HAVE 9' FABRIC HEIGHT. 11' HIGH GATES SHALL HAVE 10' FABRIC HEIGHT. 12' HIGH GATES SHALL HAVE 11' FABRIC HEIGHT.

BARBED WIRE IS REQUIRED ON 8' TO 12' HIGH GATES. SEE DETAIL "A" AND "B" FOR INSTALLATION.

THE CONTRACTOR IS NOT TO ORDER GATES UNTIL THEIR NECESSITY AND LOCATION HAVE BEEN CERTIFIED BY THE ENGINEER.

NPS = NOMINAL PIPE SIZE - ASTM F1083 AND ASTM F1043 (HEAVY INDUSTRIAL FENCE) SHALL GOVERN.

ALL FENCE FITTINGS SHALL COMPLY WITH ASTM F 626.

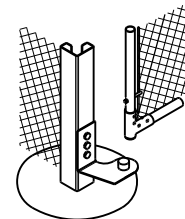
- (11) 6' TO 13' WIDTH FOR SINGLE GATE OR 12' TO 26' WIDTH FOR DOUBLE GATE.
- (12) 4' TO 6' WIDTH.

THE CONTRACT UNIT PRICE FOR CHAIN LINK GATES SHALL BE:

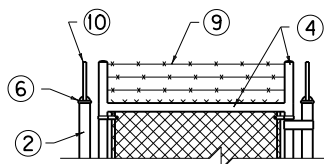
- (11) FEET WIDE SINGLE VEHICULAR CHAIN LINK GATE (13) HIGH.
- (11) FEET WIDE DOUBLE VEHICULAR CHAIN LINK GATE (13) HIGH.
- (12) FEET WIDE PEDESTRIAN CHAIN LINK GATE (13) HIGH.
- (13) AS SHOWN ON PLANS.

LEGEND / (ALTERNATES)

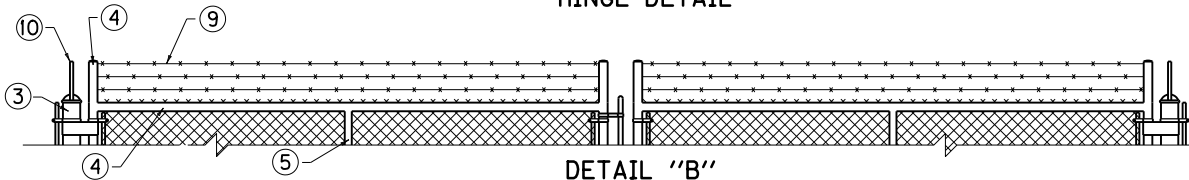
	TUBULAR	ROLL FORMED
(1)	END POST 2 1/2" NPS	3 1/2" X 3 1/2"
(2)	END POST 2 1/2" NPS	3 1/2" X 3 1/2"
(3)	GATE POST 3 1/2" NPS	NO ALTERNATE
(4)	GATE FRAME 1 1/2" NPS	NO ALTERNATE
(5)	1/4" NPS	NO ALTERNATE
(6)	APPROVED CAPS	NOT REQUIRED
(7)	FLAT TENSION BAR	NOT REQUIRED
(8)	BRACE BAND AND TENSION BAND	NOT REQUIRED
(9)	BARBED WIRE	BARBED WIRE
(10)	BARBED WIRE ARMS	BARBED WIRE ARMS



ROLL FORMED
HINGE DETAIL



DETAIL "A"
(8' TO 12' HIGH FENCE)



DETAIL "B"
(8' TO 12' HIGH FENCE)

**KENTUCKY
DEPARTMENT OF HIGHWAYS**

**4' TO 12' HIGH
CHAIN LINK GATE**

STANDARD DRAWING NO. RFG-005-05

SUBMITTED: *John B. Sackett* DIRECTOR DIVISION OF DESIGN 12-1-99 DATE

APPROVED: *J. M. [Signature]* STATE HIGHWAY ENGINEER 12-1-99 DATE