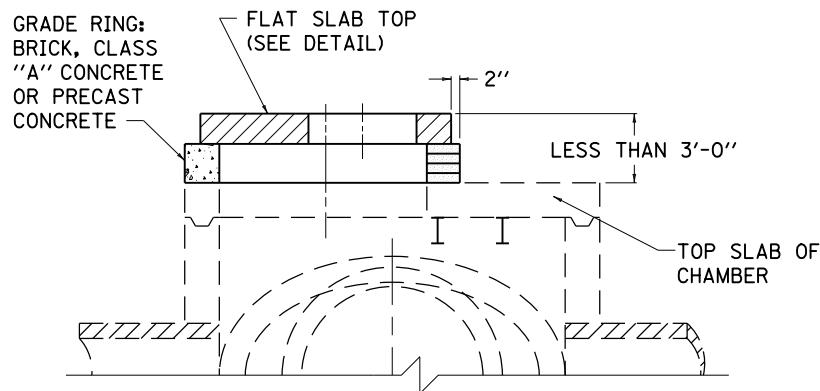
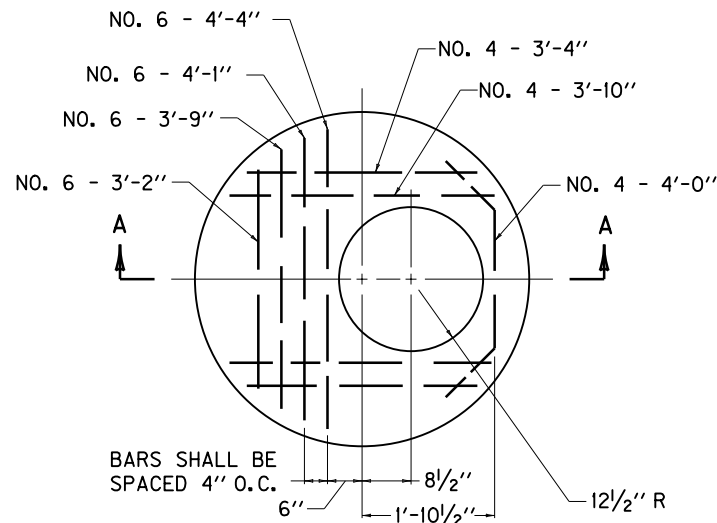


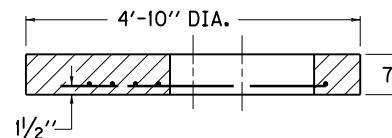
CLASS "A" TOWER DETAIL



CLASS "B" TOWER DETAIL



PLAN VIEW
FLAT SLAB TOP DETAIL



SECTION A-A
FLAT SLAB TOP DETAIL

USE WITH CUR. STD. DWGS.
RDM-010, RDM-012, AND RDM-013

KENTUCKY
DEPARTMENT OF HIGHWAYS

MANHOLE TYPE C
(TOWER APPLICATIONS)

STANDARD DRAWING NO. RDM-011-04

SUBMITTED: *John B. Sackett* DIRECTOR, DIVISION OF DESIGN 12-1-99 DATE

APPROVED: *J. M. [Signature]* STATE HIGHWAY ENGINEER 12-1-99 DATE