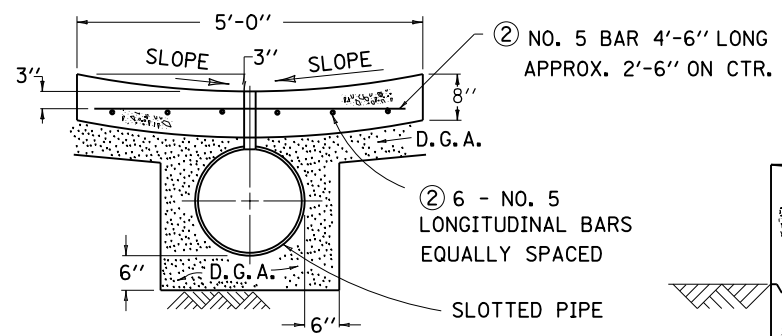


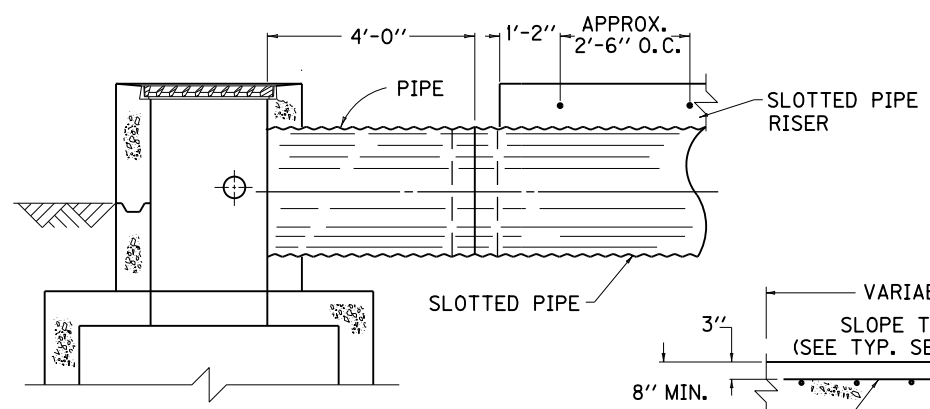
PLAN VIEW

- NOTES -

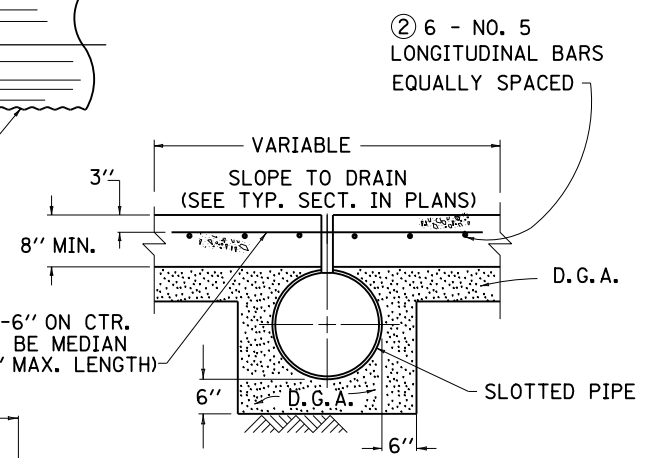
- ① THE CAP SHALL BE A STANDARD MANUFACTURED ITEM FURNISHED BY THE PIPE SUPPLIER.
- ② ALL REINFORCING STEEL SHALL BE INCLUDED IN THE CONTRACT UNIT PRICE PER LINEAR FOOT OF SLOTTED DRAIN PIPE. ALL REINFORCING STEEL SHALL BE EPOXY COATED IN ACCORDANCE WITH THE DEPARTMENTS STANDARD SPECIFICATIONS.
- ③ USE DROP BOX INLET TYPE 10 WITH VALLEY GUTTER (LIMITED TO 24" METAL PIPE SIZE).
- ④ EXTEND LONGITUDINAL BAR APPROXIMATELY 1'-6" PAST END OF SLOTTED DRAIN PIPE.
5. MINIMUM THROAT DEPTH FOR SLOTTED DRAIN PIPE SHALL BE 10" .



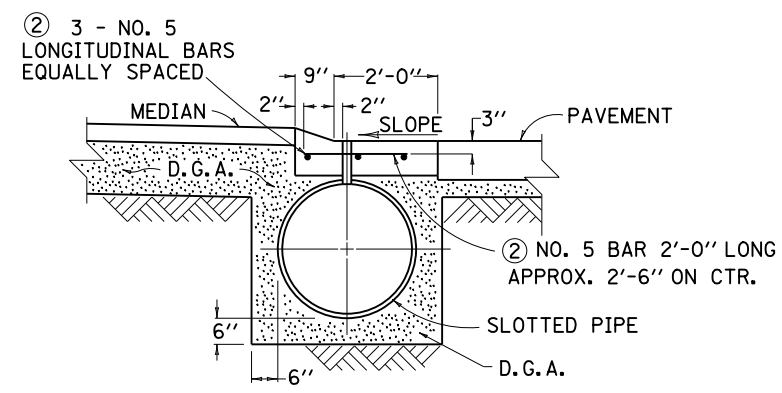
VALLEY GUTTER SECTION ③



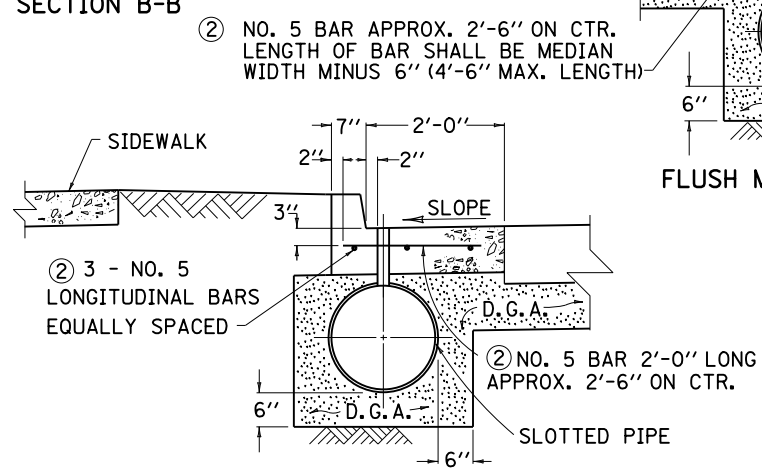
SECTION B-B



FLUSH MEDIAN SECTION



SECTION A-A LIP CURB SECTION



STD. CURB SECTION

USE WITH CUR. STD. DWGS.:
 RDB-014, RDB-030, RDB-031,
 RDB-032, RDB-033, RDB-034,
 RDB-035

KENTUCKY DEPARTMENT OF HIGHWAYS	
SLOTTED DRAIN PIPE	
(DETAIL SHEET)	
STANDARD DRAWING NO. RDI-200-04	
SUBMITTED <i>John B. Sackett</i>	12-1-99
DIRECTOR DIVISION OF DESIGN	DATE
APPROVED <i>J. M. Howell</i>	12-1-99
STATE HIGHWAY ENGINEER	DATE