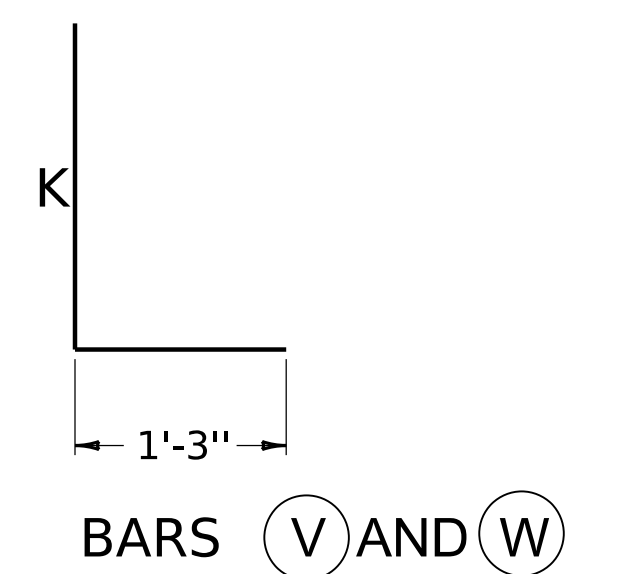
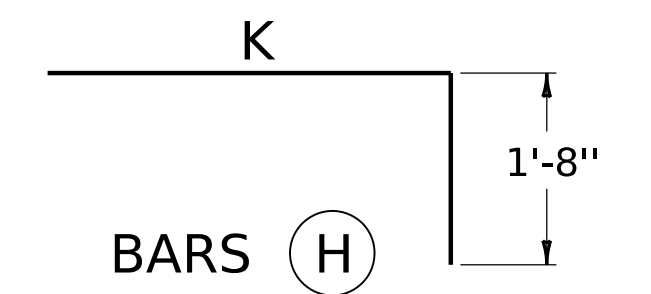
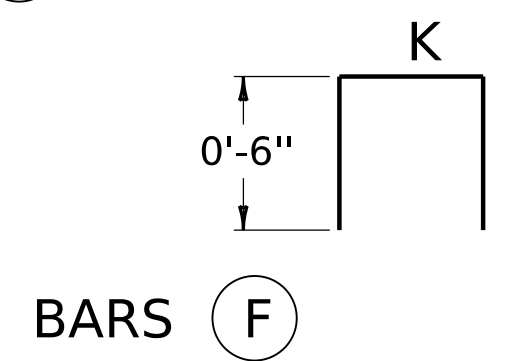
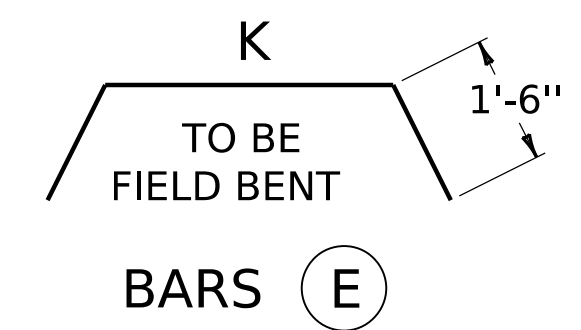


M A R K	S I Z E	NO		LGTH		K		M A R K	S I Z E	NO		LGTH		K	
		①		FT	IN	FT	IN			①		FT	IN	FT	IN
66"								72" (CONTINUED)							
A1	5	2	7	8				E1	5	2	15	3	12	3	
A2	5	2	10	3				E2	5	2	15	7	12	7	
C1	4	1	8	3				F	4	13	1	3	0	4	
C2	4	1	10	10				G1	4	2	12	4			
C3	4	1	13	6				G2	4	2	14	10			
C4	4	2	15	8				G3	4	2	17	5			
E1	5	2	14	3	11	3		G4	4	3	20	0			
E2	5	2	14	8	11	8		H	4	11	9	6	7	10	
F	4	12	1	3	0	4		K1	4	1	2	5			
G1	4	1	10	9				K2	4	1	4	3			
G2	4	2	13	3				K3	4	1	6	2			
G3	4	2	15	9				K4	4	2	7	6			
G4	4	3	18	3				N1	4	3	7	6			
H	4	10	9	1	7	5		N2	4	3	17	0			
K1	4	1	1	7				Q	4	3	8	6			
K2	4	1	3	5				R	4	9	1	2			
K3	4	1	5	4				S1	5	4	1	0			
K4	4	2	7	0				S2	5	4	3	5			
N1	4	3	7	0				S3	5	4	4	10			
N2	4	3	15	8				S4	5	4	6	3			
Q	4	3	7	9				T1	5	4	2	10			
R	4	8	1	1				T2	5	4	5	6			
S1	5	4	1	6				T3	5	4	8	5			
S2	5	4	2	11				V1	5	2	4	2	2	11	
S3	5	4	4	4				V2	5	2	4	11	3	8	
S4	5	4	5	9				V3	5	2	5	9	4	6	
T1	5	4	2	1				V4	5	2	6	6	5	3	
T2	5	4	4	10				V5	5	2	7	4	6	1	
T3	5	4	7	8				V6	5	7	7	9	6	6	
V1	5	2	4	1	2	10		W1	5	2	4	2	2	11	
V2	5	2	4	10	3	7		W2	5	2	5	4	4	1	
V3	5	2	5	7	4	4		W3	5	2	6	5	5	2	
V4	5	2	6	4	5	1		W4	5	2	7	6	6	3	
V5	5	2	7	1	5	10									
V6	5	6	7	3	6	0									
W1	5	2	4	1	2	10									
W2	5	2	5	2	3	11									
W3	5	2	6	2	4	11									
W4	5	1	7	3	6	0									
72"															
A1	5	2	8	6											
A2	5	2	11	2											
C1	4	1	7	7											
C2	4	1	10	0											
C3	4	1	12	7											
C4	4	1	15	1											

NOTES

- ① NUMBER OF BARS IN ONE HEADWALL.
- 2 DIMENSIONS ARE 0. TO 0. OF BARS.
- 3 ALL BARS ARE STRAIGHT EXCEPT THOSE SHOWN BELOW.

BENT BAR SHAPES



(USE WITH CURRENT RDH-120)

**KENTUCKY
DEPARTMENT OF HIGHWAYS**

*BILL OF REINFORCEMENT
66" TO 72" DIAMETER
NON-CIRCULAR PIPE HEADWALLS
30° SKEW*

STANDARD DRAWING NO. RDH-372-04

SUBMITTED _____ DIRECTOR DIVISION OF DESIGN _____ DATE _____

APPROVED _____ STATE HIGHWAY ENGINEER _____ DATE _____