

SECTION D-D

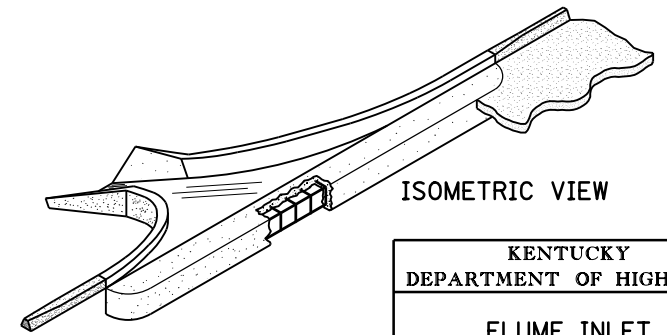
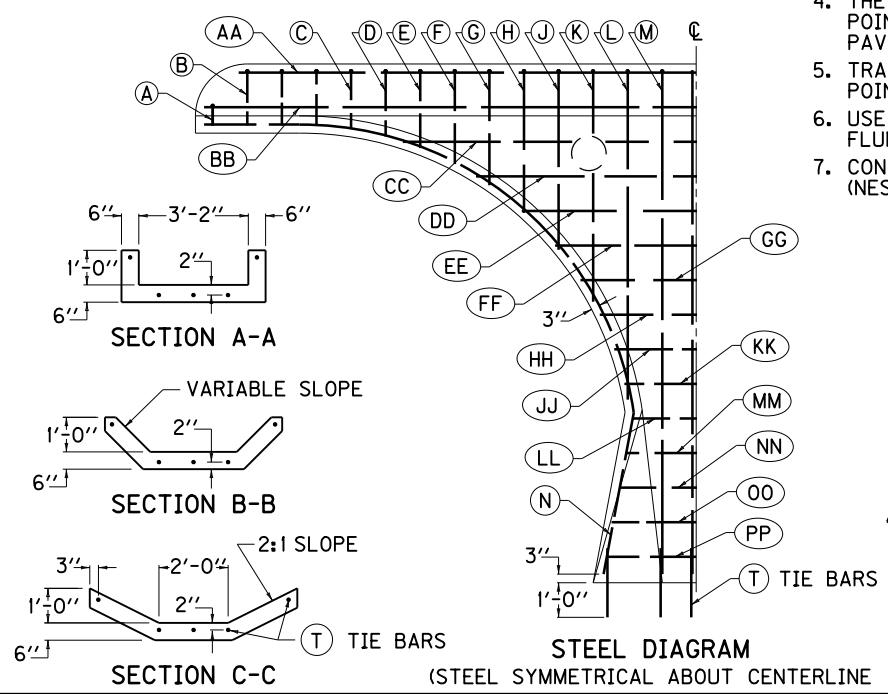
NOTES

1. REINFORCING STEEL SHALL MEET THE REQUIREMENTS OF THE CUR. EDITION OF THE DEPARTMENT'S STD. SPECIFICATIONS FOR ROAD & BRIDGE CONST. THE MIN. REQUIREMENT FOR REINFORCING BARS SHALL BE GRADE 40. ALL REINFORCEMENT SHALL BE NO. 4 BARS SPACED 12" O.C.
2. FINISHING AND CURING SHALL MEET THE REQUIREMENTS OF THE CUR. EDITION OF THE DEPARTMENT'S STD. SPECIFICATIONS FOR ROAD & BRIDGE CONSTRUCTION.
3. QUANTITIES WERE CALCULATED FOR APPLICATIONS ON A 2:1 FILL SLOPE. IT MAY BE NECESSARY TO ADJUST THE STEEL IN THE FIELD FOR APPLICATIONS OTHER THAN 2:1 SLOPE.
4. THE FLOW LINE OF THE FLUME AND THE NORMAL PAVED DITCH FROM POINT "F" ON THE FLUME TO THE LOWER END OF THE NORMAL PAVED DITCH SHALL BE A STRIGHT LINE GRADE.
5. TRANSITION 6" HIGH CURB FROM POINT "E" TO 12" HIGH CURB AT POINT "F".
6. USE 37'-6" GUARDRAIL STEEL W BEAM-S FACE (NESTED) ACROSS FLUME OPENING.
7. CONCRETE, REINFORCEMENT, EXCAVATION AND EXTRA GUARDRAIL (NESTED RAIL) SHALL BE INCIDENTAL TO UNIT BID PRICE.

BILL OF REINFORCEMENT

MARK	QTY.	LENGTH	
		FEET	INCHES
A	2	2	0
B	6	2	7
C	2	2	7
D	2	3	3
E	2	3	2
F	2	3	8
G	2	4	3
H	2	5	0
J	2	6	0
K	2	7	6
L	2	10	0
M	3	15	7
N	2	21	7
AA	2	26	6
BB	1	28	4
CC	1	16	2
DD	1	12	3
EE	1	9	9
FF	1	8	0
GG	1	6	5
HH	1	5	4
JJ	1	4	4
KK	1	3	10
LL	1	3	10
MM	1	4	3
NN	1	4	7
OO	1	4	11
PP	1	5	4
T	5	2	0

PLAN VIEW



APPROX. QUANTITIES	
CLASS "A" CONC.	3.9 CU. YDS.
STEEL REINF.	255 LBS.

KENTUCKY DEPARTMENT OF HIGHWAYS

FLUME INLET TYPE I

STANDARD DRAWING NO. RDD-020-07

SUBMITTED: [Signature] DATE 12-2-11

DIRECTOR DIVISION OF DESIGN

APPROVED: [Signature] DATE 12-2-11

STATE HIGHWAY ENGINEER