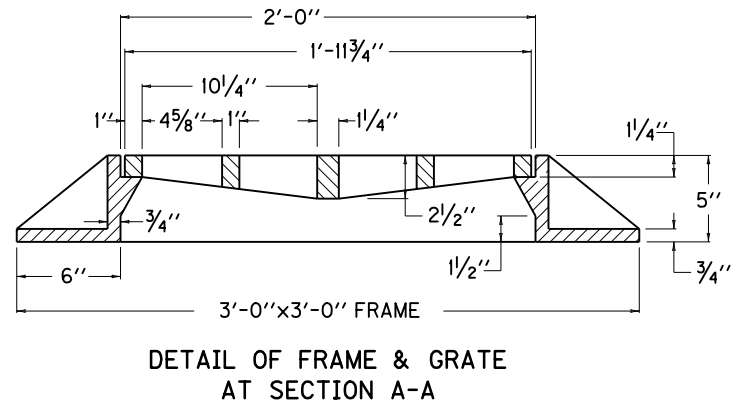
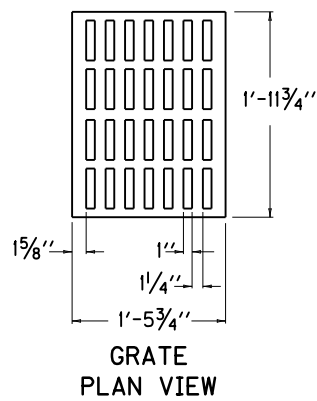


SUITABLE LUGS SHALL BE PROVIDED FOR SECURING CURB BOX.

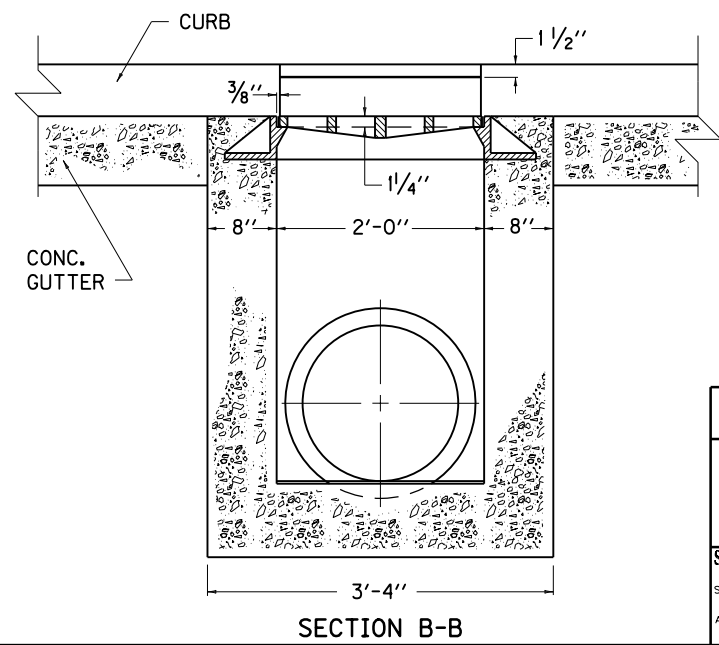
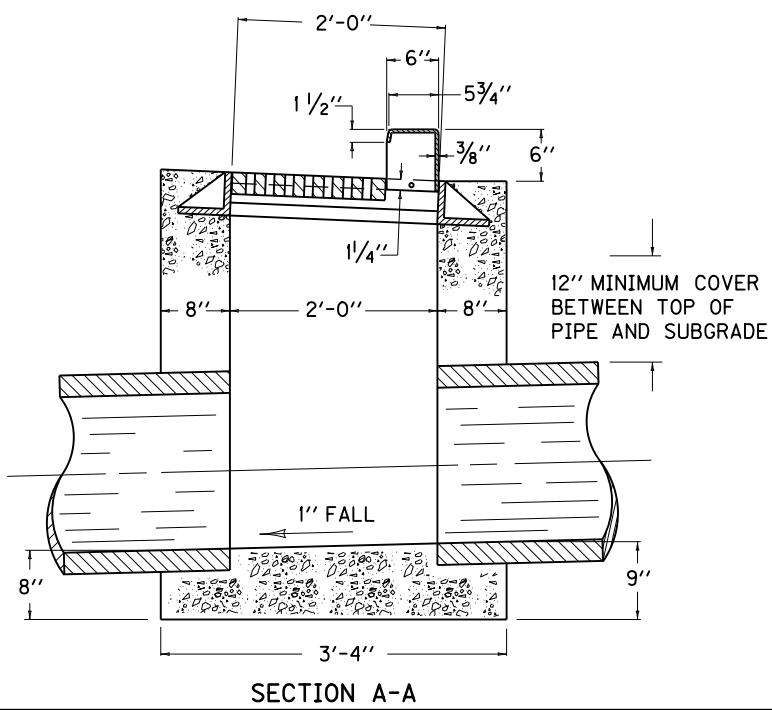


APPROXIMATE QUANTITIES

PIPE SIZE	MIN. HEIGHT	CU. YDS. CONC.
15"	4'-0"	1.15
18"	4'-3"	1.22

CURB FRAME WEIGHT = 61 LBS.
 FRAME WEIGHT = 277 LBS.
 GRATE WEIGHT = 127 LBS.

NO DEDUCTIONS HAVE BEEN MADE FOR PIPE.



KENTUCKY DEPARTMENT OF HIGHWAYS	
STANDARD CURB BOX INLET TYPE F	
STANDARD DRAWING NO. RDB-320-05	
SUBMITTED: <i>John B. Sackett</i> DIRECTOR, DIVISION OF DESIGN	12-1-99 DATE
APPROVED: <i>J. M. [Signature]</i> STATE HIGHWAY ENGINEER	12-1-99 DATE