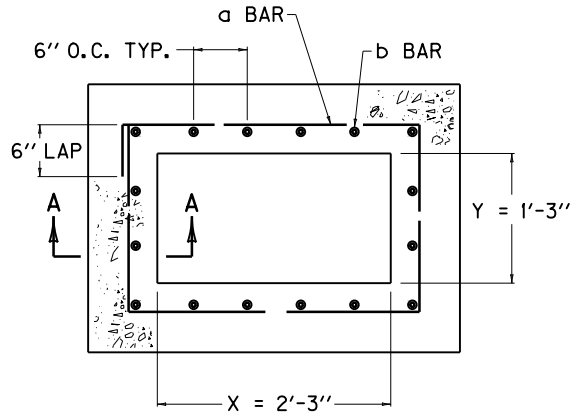
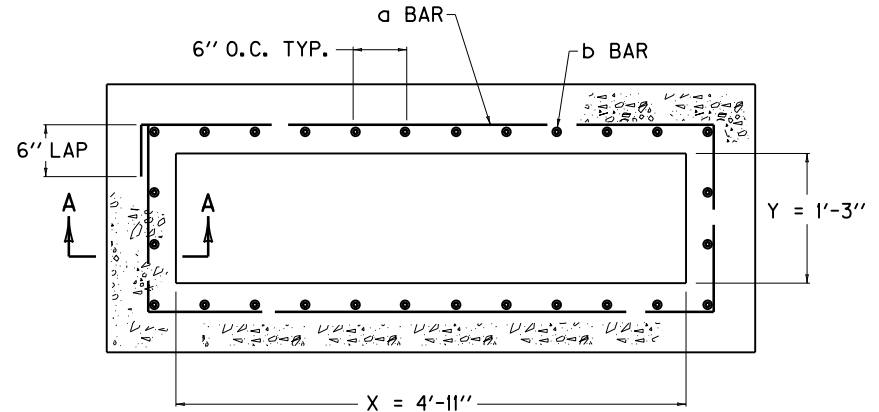


ADDITIONAL STEEL REINFORCEMENT REQUIREMENTS
(RISER, H = 8'-0" TO 15'-0", GRADE AND SAG CONDITION)



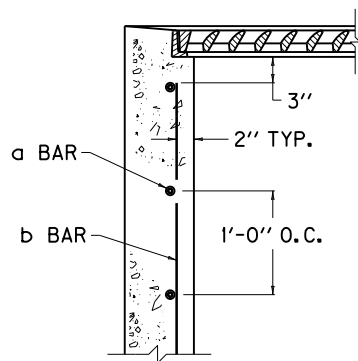
GRADE CONDITION



SAG CONDITION

NOTES

1. STEEL REINFORCEMENT SHALL HAVE A CLEAR DISTANCE OF 2" FROM THE FACE UNLESS OTHERWISE SHOWN.
2. ALL STEEL REINFORCEMENT SHALL BE NO. 5 BARS.



SECTION A-A

APPROXIMATE RISER QUANTITIES PER ONE FOOT IN HEIGHT							
COND- ITION	SIZE		BAR a		BAR b		LBS STEEL
	X	Y	QTY.	LIN. FT.	QTY.	LIN. FT.	
GRADE	2'-3"	1'-3"	3	9'-3"	16	1'-0"	26
SAG	4'-11"		3	14'-7"	28		

USE WITH CUR. STD. DWGS.
RDB-013, 014, 015, 016, 017,
AND RDB-019

KENTUCKY DEPARTMENT OF HIGHWAYS	
DROP BOX INLET TYPE 13 (ADDITIONAL STEEL - RISER)	
STANDARD DRAWING NO. RDB-018-03	
SUBMITTED: <i>John B. Sackett</i> DIRECTOR, DIVISION OF DESIGN	12-1-99 DATE
APPROVED: <i>J. M. Howell</i> STATE HIGHWAY ENGINEER	12-1-99 DATE