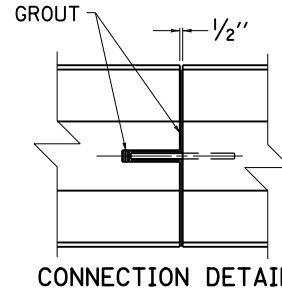
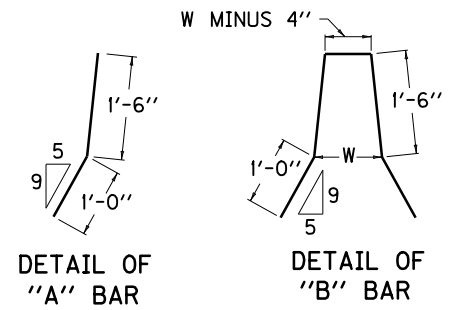


PLAN VIEW

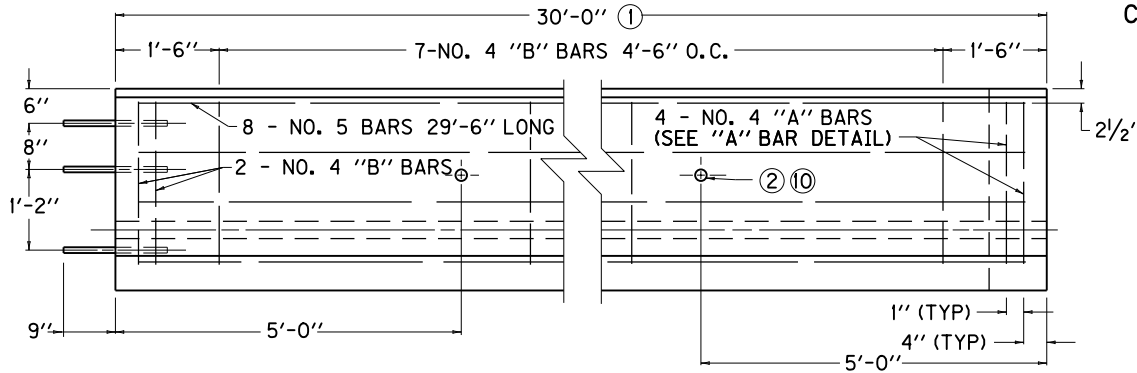


CONNECTION DETAIL

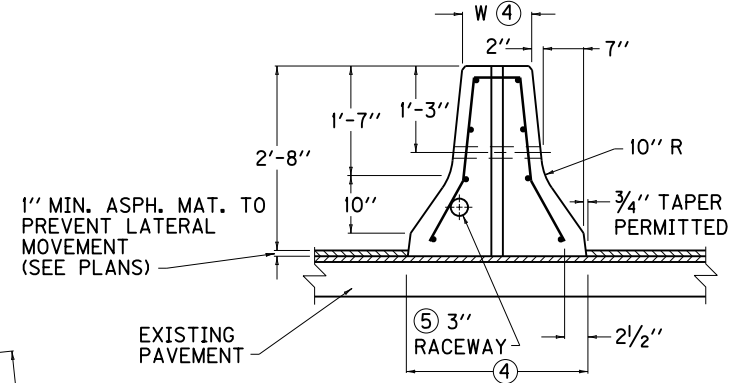


DETAIL OF "A" BAR

DETAIL OF "B" BAR

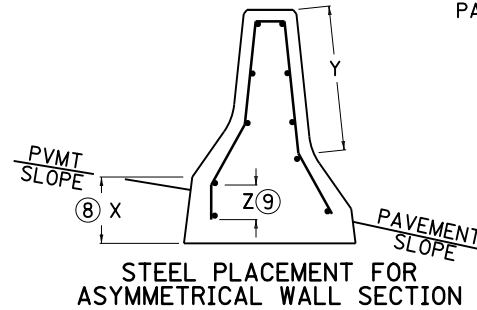


ELEVATION VIEW



RIGHT ELEVATION VIEW

APPROX. REINF./30' SECTION  
289 LBS.  
APPROX. CU. YD. CONC./LIN. FT.  
9" WIDE TOP = 0.14  
12" WIDE TOP = 0.16  
14" WIDE TOP = 0.17  
APPROX. WEIGHT/30' SECTION  
BASED ON 150 LBS./CU. FT.  
9" WIDE TOP = 8.1 TONS  
12" WIDE TOP = 9.7 TONS  
14" WIDE TOP = 10.6 TONS



STEEL PLACEMENT FOR ASYMMETRICAL WALL SECTION

~ NOTES ~

BID ITEM AND UNIT TO BID:

A. CONCRETE MEDIAN BARRIER TYPE ⊕ ⊕ .

⊕ 9 OR 12 OR 14 DEPENDING ON W.

⊕ D OR E DEPENDING ON PAVEMENT TYPE.

- ① SHORTER SECTIONS MAY BE PERMITTED IF APPROVED IN WRITING BY THE ENGINEER.
- ② 2" DIA. LIFTING HOLE - 2 REQUIRED EACH SECTION. FORMED WITH 2" P.V.C. PIPE OR EQUAL.
3. SEE ELSEWHERE IN THE PLANS FOR BASE REQUIREMENTS.
- ④ 9" WIDE TOP WITH 2'-3" WIDE BASE OR 12" WIDE TOP WITH 2'-6" BASE. 14" WIDE TOP WITH 2'-8" WIDE BASE. (TAPER NOT INCLUDED IN BASE WIDTH).
- ⑤ THE RACEWAY SHALL BE TIED TO EACH OF THE A AND B BARS TO PREVENT SAG. SEE ELSEWHERE IN THE PLANS FOR SIZE, LOCATION, AND PAYMENT FOR RACEWAY WHEN REQUIRED.
6. PLACE ALL STEEL REINFORCEMENT A CLEAR DISTANCE OF 2" MIN. FROM OUTSIDE FACE OF WALL, EXCEPT WHERE SHOWN OTHERWISE.
7. SHOP DRAWINGS SHALL BE APPROVED PRIOR TO MANUFACTURE.
- ⑧ WHEN THE "X" DIMENSION EQUALS 10" THE BAR SHALL BE TURNED DOWN 6" ("Z" DIMENSION) AND AN ADDITIONAL LONGITUDINAL BAR SHALL BE ADDED AT THE BOTTOM OF THE TURN DOWN ("Z" DIMENSION) AND TO THE "Y" PORTION OF THE BAR. FOR EACH 6" INCREMENT OF THE "X" DIMENSION ABOVE 10" AN ADDITIONAL LONGITUDINAL BAR SHALL BE ADDED IN THE "Z" AND "Y" PORTION OF THE BAR.
- ⑨ THE "Z" DIMENSION SHALL INCREASE INCH FOR INCH WHEN THE "X" DIMENSION EXCEEDS 10".
- ⑩ LIFTING BARS SHALL BE REQUIRED TO PREVENT SPALLING OF CONCRETE AROUND HOLES.
11. WHEN THE PRECAST WALL IS USED IN PERMANENT CONSTRUCTION THE LIFTING HOLES SHALL BE FILLED WITH GROUT.

USE WITH CUR. STD. DWG.  
RBM-001

KENTUCKY DEPARTMENT OF HIGHWAYS	
CONCRETE MEDIAN BARRIER PRECAST (PERMANENT)	
STANDARD DRAWING NO. RBM-006-09	
SUBMITTED: <i>Ben W. Starns</i>	12-2-02
DIRECTOR DIVISION OF DESIGN	DATE
APPROVED: <i>J. M. Young</i>	12-2-02
STATE HIGHWAY ENGINEER	DATE