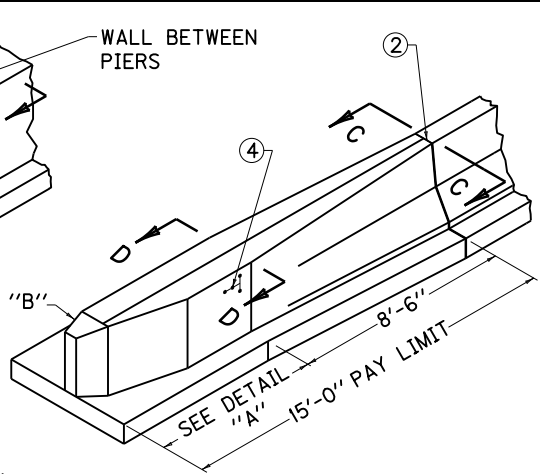


BARRIER END FOR VERTICAL WALL BETWEEN BRIDGE PIERS



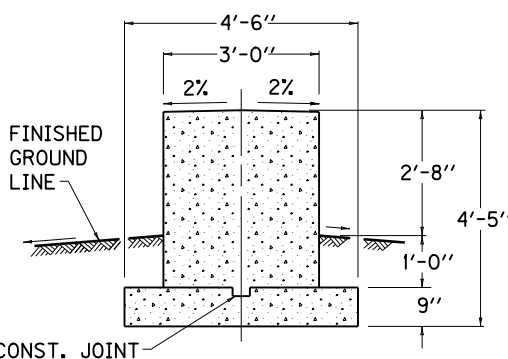
BARRIER END FOR CONCRETE MEDIAN BARRIER

~ NOTES ~

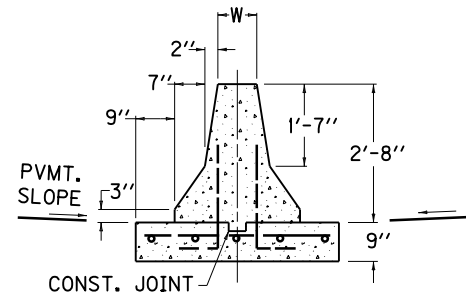
1. BID ITEMS AND UNIT TO BID:
  - A. CONCRETE MEDIAN BARRIER END
    - a. STEEL REINFORCEMENT - POUNDS (MIN. GRADE 40).
    - b. CLASS "A" CONCRETE - CUBIC YARDS (INCLUDES ALL MATERIALS, TOOLS, FORMS, LABOR, EXCAVATION, AND INCIDENTALS NECESSARY TO COMPLETE THE WORK IN ACCORDANCE WITH THIS DRAWING).
  - ② 1/2" PREMOLDED EXPANSION JOINT MATERIAL REQUIRED.
  3. STEEL REINFORCING BARS SHALL BE EVENLY SPACED AS SHOWN.
  - ④ 4-BOLT INSERT ASSEMBLIES ARE REQUIRED. (SEE CURRENT STD. DWG. RBC-100 FOR INSERT DETAIL).
  - ⑤ CONCRETE QUANTITIES AT BRIDGE PIERS ARE BASED ON A BRIDGE PIER WIDTH OF 3'-0".
  - ⑥ WHEN THE CONCRETE MEDIAN BARRIER END IS PLACED AT A PIER WIDER THAN 3'-0" THE BARRIER END TRANSITION SHALL BE CONSTRUCTED ON A 12:1 MIN. TAPER AND ADDITIONAL CONCRETE AND STEEL QUANTITIES SHALL BE CALCULATED.
  - ⑦ ALTERNATE END DEPENDENT ON TRAFFIC DIRECTION.

QUANTITIES FOR ONE CONCRETE MEDIAN BARRIER END

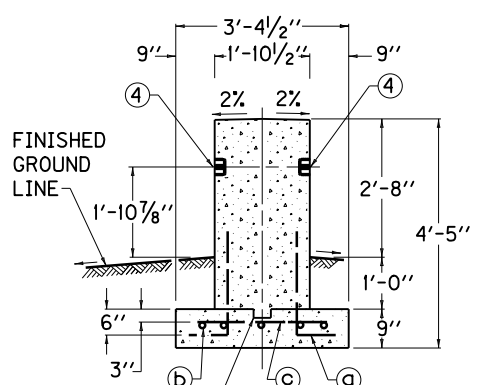
CONDITION	NO. 5 STEEL REINF. BARS						POUNDS OF STEEL	CU. YDS. CLASS "A" CONC.
	Ⓐ BAR QTY.	Ⓐ BAR LGTH.	Ⓑ BAR QTY.	Ⓑ BAR LGTH.	Ⓒ BAR QTY.	Ⓒ BAR LGTH.		
BARRIER END AT BRIDGE PIERS								⑤ 5.73
9" WALL	30	2'-9"	5	14'-4"	15	2'-3"	196	3.71
12" WALL								3.87
14" WALL								3.96



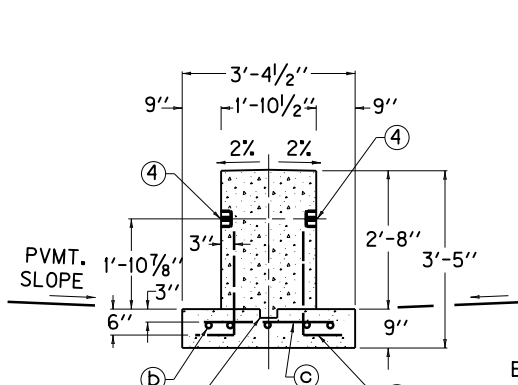
SECTION A-A (WALL BETWEEN BRIDGE PIERS)



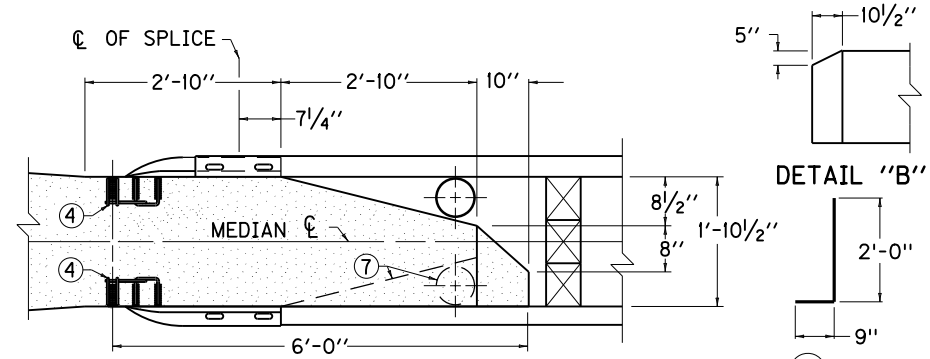
SECTION C-C



SECTION B-B

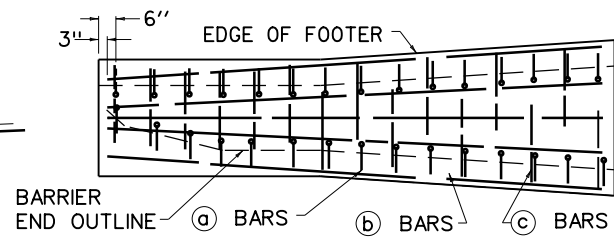


SECTION D-D



DETAIL "A"

BAR Ⓐ DETAIL



TYPICAL STEEL PLACEMENT

USE WITH CUR. STD. DWG. RBE-200

KENTUCKY DEPARTMENT OF HIGHWAYS

CONCRETE MEDIAN BARRIER END FOR CRASH CUSHION TYPE IX

STANDARD DRAWING NO. RBE-070-05

SUBMITTED: [Signature] 12-2-11 DATE

APPROVED: [Signature] 12-2-11 DATE