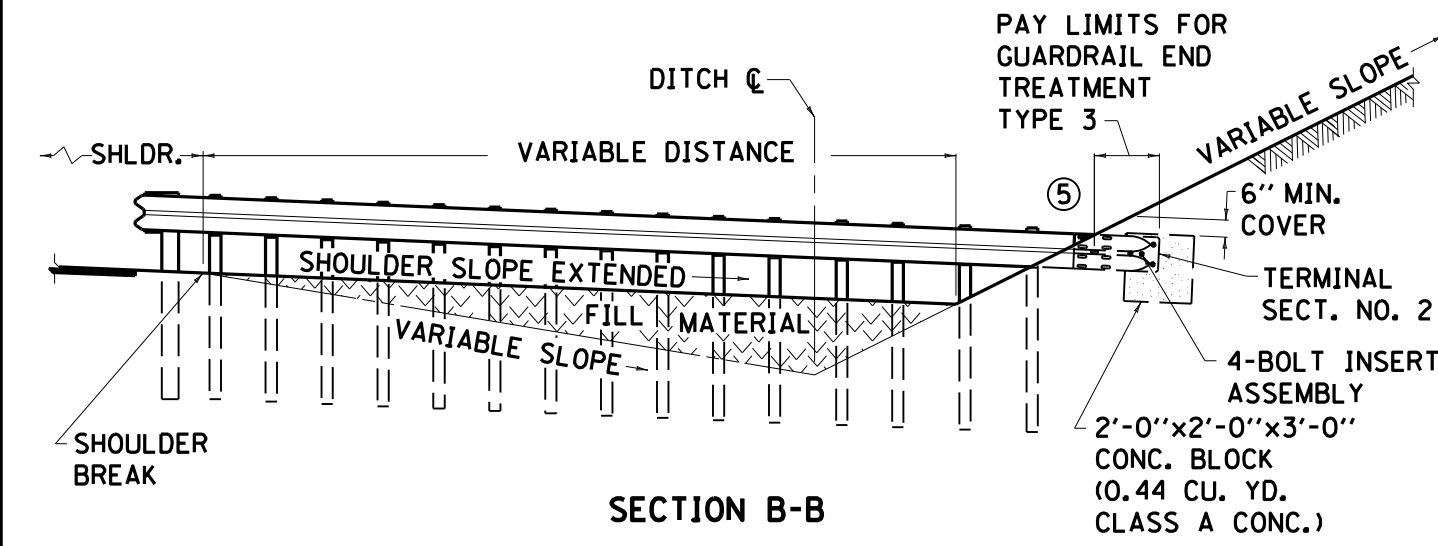


- NOTES**
1. THE CONTRACT UNIT PRICE FOR GUARDRAIL END TREATMENT TYPE 3 SHALL INCLUDE THE CONCRETE BLOCK, TERMINAL SECTION NO. 2, FOUR BOLT INSERT ASSEMBLY AND ALL INCIDENTALS NECESSARY TO COMPLETE THE WORK.
  2. BID ITEMS AND UNIT TO BID:
    - A. GUARDRAIL END TREATMENT TYPE 3 - EACH
    - B. ROADWAY OR BORROW EXCAVATION, OR EMBANKMENT IN PLACE - CU. YD.
    - C. DRAINAGE STRUCTURE BID SEPARATELY.
  3. OFFSET BLOCKS MAY BE ELIMINATED ON ANY POST THAT IS COMPLETELY BELOW GRADE.
  4. SEE CUR. STD. DWG. RBC-100 FOR 4-BOLT INSERT ASSEMBLY DETAILS.
  - ⑤ SEE STANDARD DRAWING RBR-032 FOR ALTERNATE END ANCHOR.



	①		
DESIGN SPEED	70+ MPH	60 MPH	50 MPH OR LESS
FLARE RATES	15:1	13:1	11:1

USE WITH CUR. STD. DWGS. RBC-100, RDB-005, RBR-032

KENTUCKY  
DEPARTMENT OF HIGHWAYS

**GUARDRAIL END  
TREATMENT TYPE 3**

SUBMITTED *William S. Galbraith* DATE 7-22-14

024

FILE NAME: G:\USERS\JEFF.LAIL\DESKTOP\CURRENT WORK MODIFIED TYPE 3 END TREATMENT\RBR030.DGN  
 USER: jeff.lail DATE PLOTTED: April 15, 2014  
 E-SHEET NAME:  
 MicroStation v8.11.7.443