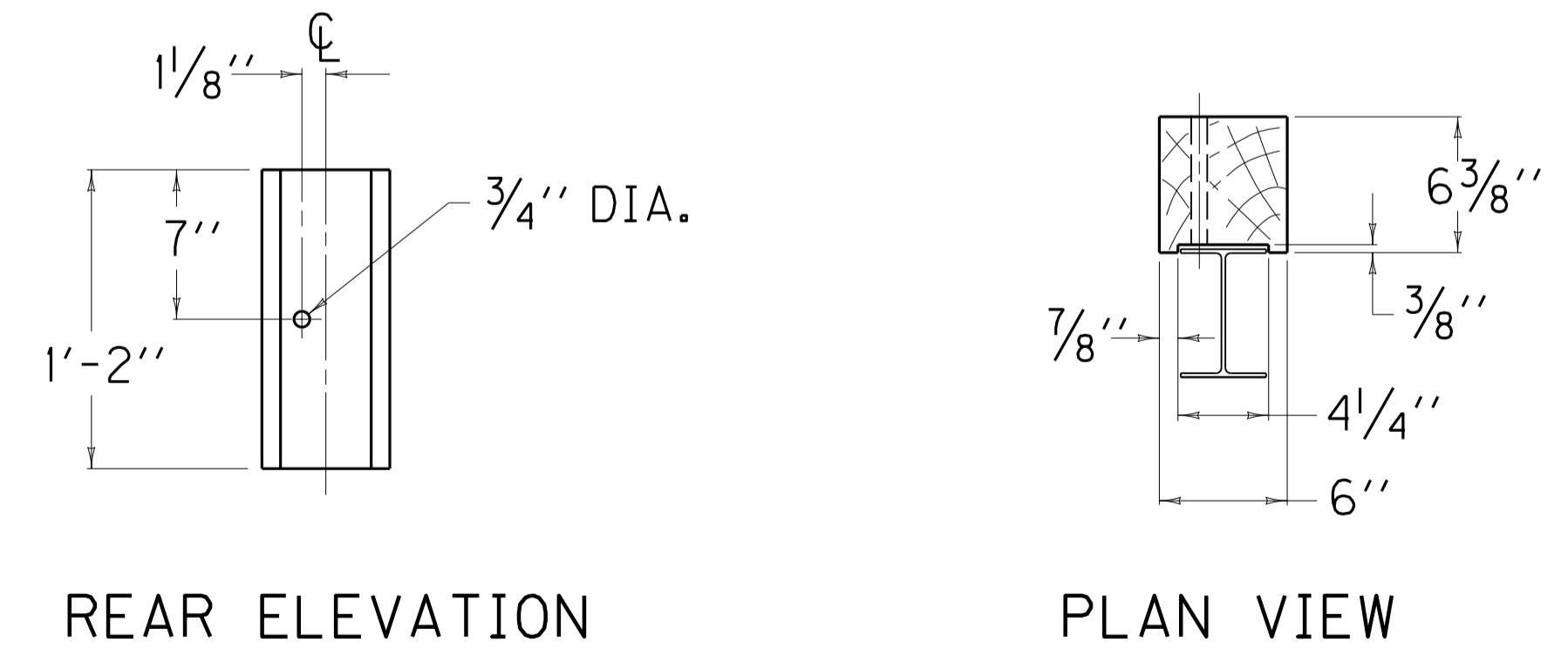
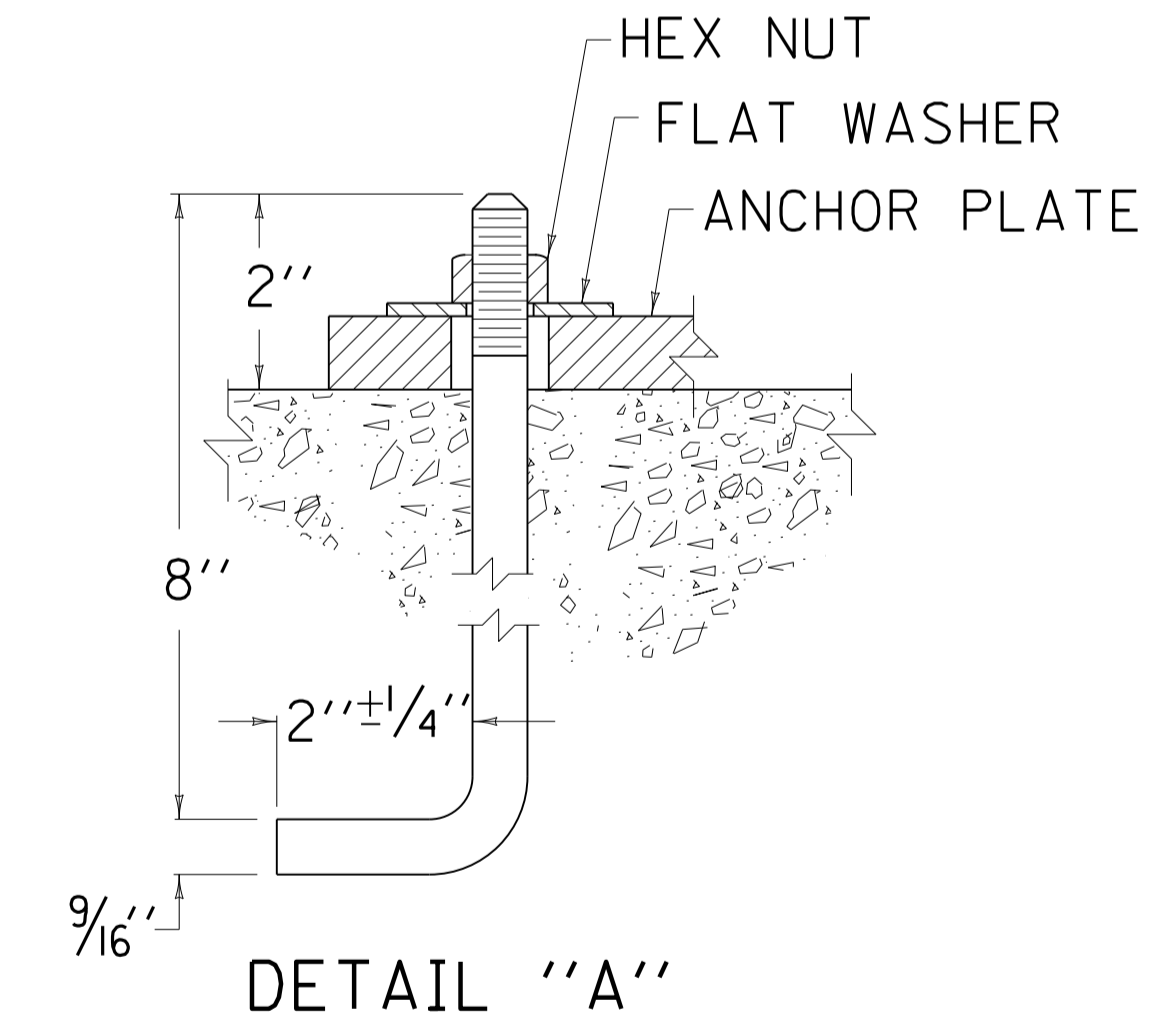
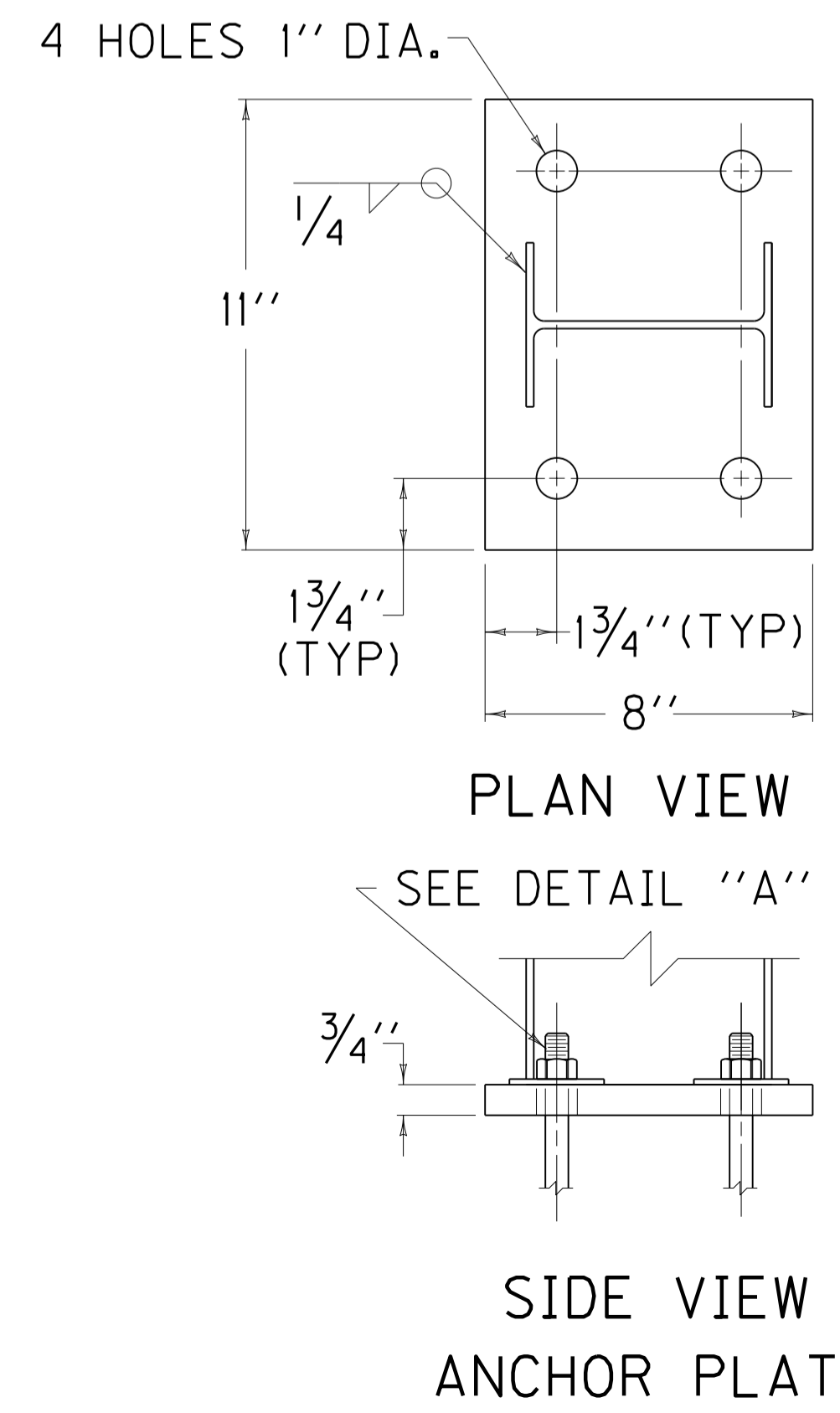


~ W6 X 9.0 STEEL POST ① ~

- ~ NOTES ~
- ① W6 X 8.5 IS AN ACCEPTABLE ALTERNATE.
  - ② THESE HOLES REQUIRED FOR ATTACHING RAIL.



OFFSET BLOCK TYPE 4 (TIMBER)  
(FOR USE WITH STEEL POST ONLY)



FILE NAME: C:\PWORK\JEFF.LAIL\0512631\SEPIA 013.DGN  
 USER: jeff.lail DATE PLOTTED: May 8, 2013  
 E-SHEET NAME: MicroStation v8.11.7.180