

70
Elkhorn Rd

STA. 210+00 MAINLINE =
STA. 50+00 APPROACH ROAD

STA. 51+80 APPROACH ROAD =
STA. 80+00 FRONTAGE ROAD 5

STA. 235+92.90 BYPASS =
STA. 40+00 KY 70

STA. 240+29.01 END
R/W ACQUISITION

GILPIN GARY D & CHRISTIA C

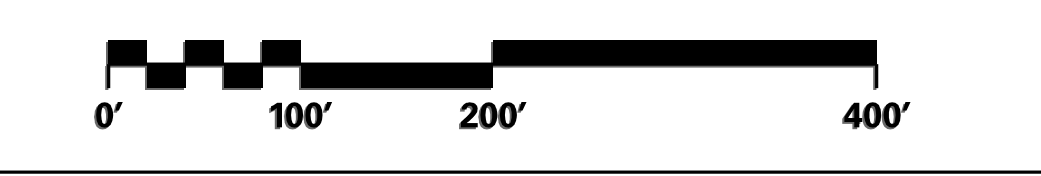
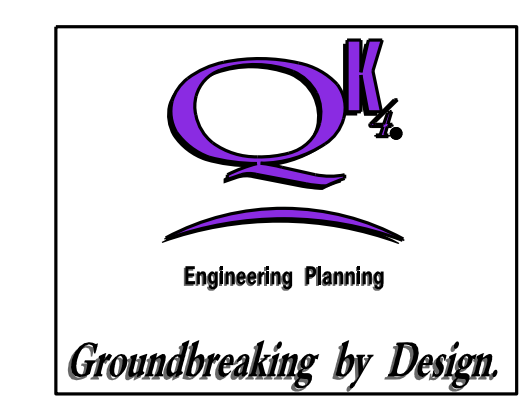
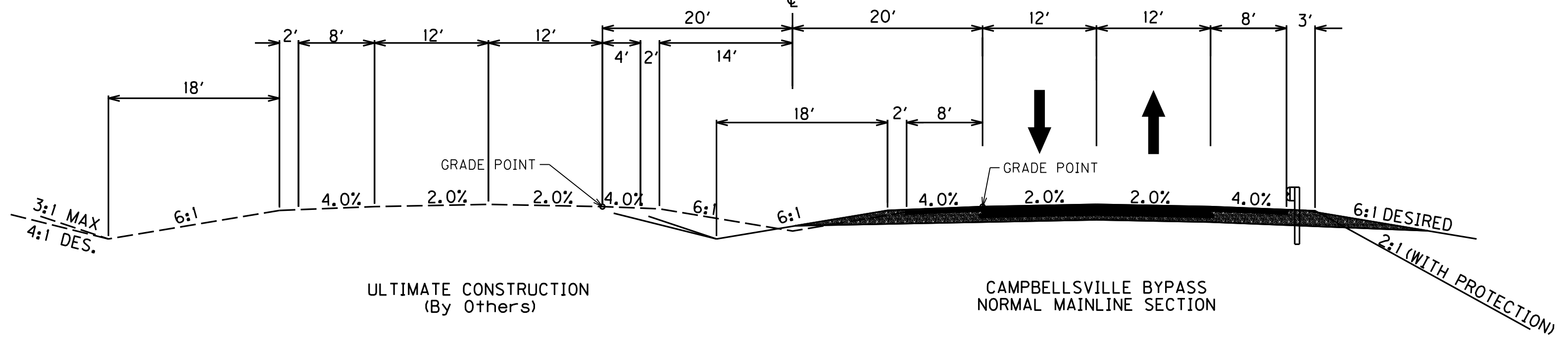
DONALD DUDGEON & MARY ETTA DUDGEON (WF), PHILIP ALLEN DUDGEON

DONALD DUDGEON MARY ETTA DUDGEON PHILIP ALLEN DUDGEON

JERRY SZTENDERA
LARRY G. GRAYBEAL
JAMES BERRY & NELDA BERRY (WF)
JAMES A. BERRY & NELDA BERRY (WF)
LARRY BURCHELL & DALE M. BURCHELL (WF)

LARRY CHILDRESS & INETTA CHILDRESS (WF)
RAYMOND FORD & SHARON FORD (WF)
PHILIP BOWEN & SHERRY COMANWF
FRANCES G. BENNINGFIELD

TYPICAL SECTION



RIGHT OF WAY PLAN
SHOWING
CAMPBELLSVILLE BYPASS
ITEM NO. 04-142.20
JULY 28, 2016