

- (P 62) MITCHELL R. COX & CYNTHIA J. COX (WF)
- (P 64) TERRY W. THOMPSON & BETTY C. THOMPSON (WF)
- (P 70) NORMA REYNOLDS
- (P 71) CASEY BAKER, AMEL BAKER & CAROLYN BAKER (WF)
- (P 72) WANDA PITTMAN
- (P 73) DONNIE COWAN & PHYLLIS COWAN (WF)
- (P 74) MITCHELL WALTERS & SANDY WALTERS (WF)
- (P 75) DONNIE COWAN
- (P 76) VERNON L. GRAHAM & ANGELA GRAHAM (WF)
- (P 77) DAVID SHREVE & GLENDA SHREVE (WF)

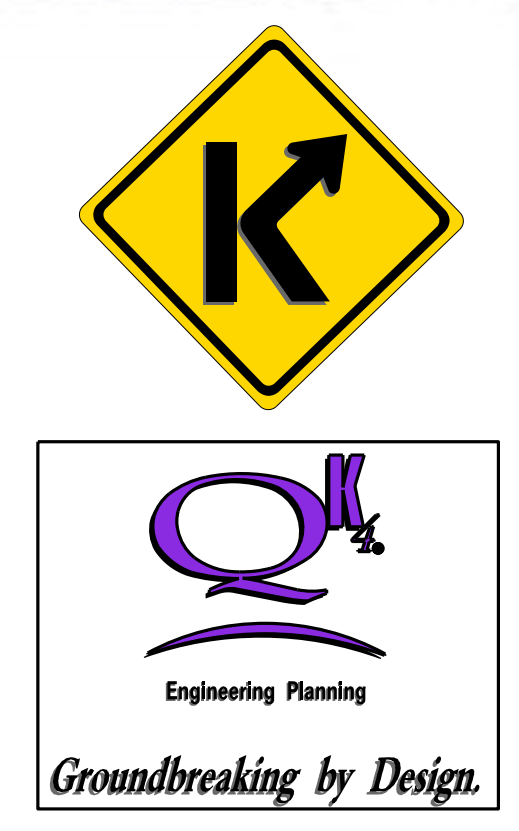
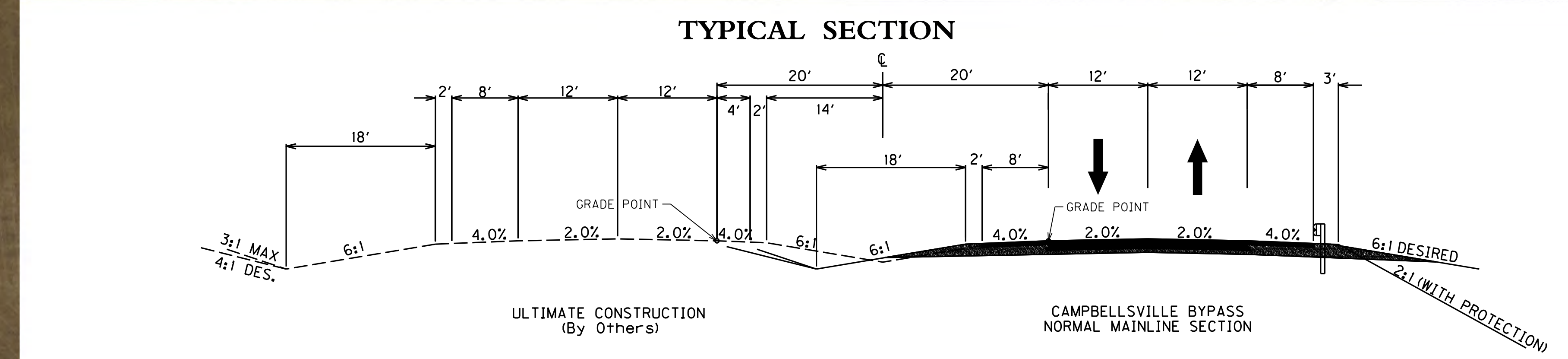
- (A) TEMP ESMT FOR ENTRANCE CONSTRUCTION
- (B) TEMP ESMT FOR DIVERSION AND ENTRANCE CONSTRUCTION
- (C) TEMP ESMT FOR BLDG. REMOVAL



STA. 128+00 MAINLINE =
STA. 50+00 APPROACH ROAD

STA. 52+25 APPROACH ROAD
= STA. 10+00 FRONTAGE ROAD 4

STA. 173+49.02 MAINLINE =
STA. 30+00 KY 372



0' 100' 200' 400'

**RIGHT OF WAY PLAN
SHOWING
CAMPBELLSVILLE BYPASS
ITEM NO. 04-142.20
JULY 28, 2016**