



CALL NO. 409

CONTRACT ID. 192960

JESSAMINE - BOYLE - WOODFORD - MERCER COUNTIES

FED/STATE PROJECT NUMBER 121GR19M002 - FE02

DESCRIPTION VARIOUS BRIDGES IN DISTRICT 7

WORK TYPE BRIDGE DECK RESTORATION & WATERPROOFING

PRIMARY COMPLETION DATE 11/15/2019

LETTING DATE: January 25,2019

Sealed Bids will be received electronically through the Bid Express bidding service until 10:00 AM EASTERN STANDARD TIME January 25,2019. Bids will be publicly announced at 10:00 AM EASTERN STANDARD TIME.

NO PLANS ASSOCIATED WITH THIS PROJECT.

REQUIRED BID PROPOSAL GUARANTY: Not less than 5% of the total bid.

TABLE OF CONTENTS

PART I	SCOPE OF WORK
	<ul style="list-style-type: none">• PROJECT(S), COMPLETION DATE(S), & LIQUIDATED DAMAGES• CONTRACT NOTES• STATE CONTRACT NOTES• SPECIAL NOTE(S) APPLICABLE TO PROJECT• ASBESTOS ABATEMENT REPORT• MATERIAL SUMMARY
PART II	SPECIFICATIONS AND STANDARD DRAWINGS
	<ul style="list-style-type: none">• SPECIFICATIONS REFERENCE• SUPPLEMENTAL SPECIFICATION• STANDARD DRAWINGS THAT APPLY
PART III	EMPLOYMENT, WAGE AND RECORD REQUIREMENTS
	<ul style="list-style-type: none">• LABOR AND WAGE REQUIREMENTS• EXECUTIVE BRANCH CODE OF ETHICS• KENTUCKY EQUAL EMPLOYMENT OPPORTUNITY ACT OF 1978 LOCALITY / STATE• PROJECT WAGE RATES / STATE
PART IV	INSURANCE
PART V	BID ITEMS

PART I
SCOPE OF WORK

ADMINISTRATIVE DISTRICT - 07

CONTRACT ID - 192960

121GR19M002 - FE02

COUNTY - BOYLE

PCN - MB01101501801

FE02 011 0150 B00009N 15.50

BOYLE COUNTY 011B000009N WILDERNESS ROAD MP 15.50
US 150 OVER CLARKS RUNBRIDGE DECK RESTORATION & WATERPROOFING
GEOGRAPHIC COORDINATES LATITUDE 37:37:43.00 LONGITUDE 84:44:45.00

COUNTY - JESSAMINE

PCN - MB05701691801

FE02 057 0169 B00009N 07.02

JESSAMINE COUNTY 057B000009N UNION MILL ROAD MP 07.02
KY 169 OVER HICKMAN CREEKBRIDGE DECK RESTORATION & WATERPROOFING
GEOGRAPHIC COORDINATES LATITUDE 37:53:31.00 LONGITUDE 84:30:52.00

COUNTY - MERCER

PCN - MB08409261801

FE02 084 0926 B00021N 00.67

MERCER COUNTY 084B000021N BETHEL ROAD MP 00.67
KY 926 OVER THOMPSON CREEKBRIDGE DECK RESTORATION & WATERPROOFING
GEOGRAPHIC COORDINATES LATITUDE 37:52:04.00 LONGITUDE 85:00:10.00

COUNTY - WOODFORD

PCN - MB12000331801

FE02 120 0033 B00005N 04.32

WOODFORD COUNTY 084B000005N TROY PIKE MP 04.32
KY 33 OVER CLEAR CREEKBRIDGE DECK RESTORATION & WATERPROOFING
GEOGRAPHIC COORDINATES LATITUDE 37:55:37.00 LONGITUDE 84:42:13.00

COMPLETION DATE(S):

COMPLETED BY 11/15/2019	APPLIES TO ENTIRE CONTRACT
30 CALENDAR Days	APPLIES TO 011B00009N
30 CALENDAR Days	APPLIES TO 057B00009N
30 CALENDAR Days	APPLIES TO 084B00021N
30 CALENDAR Days	APPLIES TO 120B00005N

CONTRACT NOTES

PROPOSAL ADDENDA

All addenda to this proposal must be applied when calculating bid and certified in the bid packet submitted to the Kentucky Department of Highways. Failure to use the correct and most recent addenda may result in the bid being rejected.

BID SUBMITTAL

Bidder must use the Department's electronic bidding software. The Bidder must download the bid file located on the Bid Express website (www.bidx.com) to prepare a bid packet for submission to the Department. The bidder must submit electronically using Bid Express.

JOINT VENTURE BIDDING

Joint venture bidding is permissible. All companies in the joint venture must be prequalified in one of the work types in the Qualifications for Bidders for the project. The bidders must get a vendor ID for the joint venture from the Division of Construction Procurement and register the joint venture as a bidder on the project. Also, the joint venture must obtain a digital ID from Bid Express to submit a bid. A joint bid bond of 5% may be submitted for both companies or each company may submit a separate bond of 5%.

UNDERGROUND FACILITY DAMAGE PROTECTION

The contractor shall make every effort to protect underground facilities from damage as prescribed in the Underground Facility Damage Protection Act of 1994, Kentucky Revised Statute KRS 367.4901 to 367.4917. It is the contractor's responsibility to determine and take steps necessary to be in compliance with federal and state damage prevention directives. When prescribed in said directives, the contractor shall submit Excavation Locate Requests to the Kentucky Contact Center (KY811) via web ticket entry. The submission of this request does not relieve the contractor from the responsibility of contacting non-member facility owners, whom shall be contacted through their individual Protection Notification Center. Non-compliance with these directives can result in the enforcement of penalties.

REGISTRATION WITH THE SECRETARY OF STATE BY A FOREIGN ENTITY

Pursuant to KRS 176.085(1)(b), an agency, department, office, or political subdivision of the Commonwealth of Kentucky shall not award a state contract to a person that is a foreign entity required by [KRS 14A.9-010](#) to obtain a certificate of authority to transact business in the Commonwealth ("certificate") from the Secretary of State under [KRS 14A.9-030](#) unless the person produces the certificate within fourteen (14) days of the bid or proposal opening. If the foreign entity is not required to obtain a certificate as provided in [KRS 14A.9-010](#), the foreign entity should identify the applicable exception. Foreign entity is defined within [KRS 14A.1-070](#).

For all foreign entities required to obtain a certificate of authority to transact business in the Commonwealth, if a copy of the certificate is not received by the contracting agency within the time frame identified above, the foreign entity's solicitation response shall be deemed non-responsive or the awarded contract shall be cancelled.

Businesses can register with the Secretary of State at <https://secure.kentucky.gov/sos/ftbr/welcome.aspx>.

SPECIAL NOTE FOR PROJECT QUESTIONS DURING ADVERTISEMENT

Questions about projects during the advertisement should be submitted in writing to the Division of Construction Procurement. This may be done by fax (502) 564-7299 or email to kytc.projectquestions@ky.gov. The Department will attempt to answer all submitted questions. The Department reserves the right not to answer if the question is not pertinent or does not aid in clarifying the project intent.

The deadline for posting answers will be 3:00 pm Eastern Daylight Time, the day preceding the Letting. Questions may be submitted until this deadline with the understanding that the later a question is submitted, the less likely an answer will be able to be provided.

The questions and answers will be posted for each Letting under the heading "Questions & Answers" on the Construction Procurement website (www.transportation.ky.gov/contract). The answers provided shall be considered part of this Special Note and, in case of a discrepancy, will govern over all other bidding documents.

HARDWOOD REMOVAL RESTRICTIONS

The US Department of Agriculture has imposed a quarantine in Kentucky and several surrounding states, to prevent the spread of an invasive insect, the emerald ash borer. Hardwood cut in conjunction with the project may not be removed from the state. Chipping or burning on site is the preferred method of disposal.

INSTRUCTIONS FOR EXCESS MATERIAL SITES AND BORROW SITES

Identification of excess material sites and borrow sites shall be the responsibility of the Contractor. The Contractor shall be responsible for compliance with all applicable state and federal laws and may wish to consult with the US Fish and Wildlife Service to seek protection under Section 10 of the Endangered Species Act for these activities.

ACCESS TO RECORDS

The contractor, as defined in KRS 45A.030 (9) agrees that the contracting agency, the Finance and Administration Cabinet, the Auditor of Public Accounts, and the Legislative Research Commission, or their duly authorized representatives, shall have access to any books, documents, papers, records, or other evidence, which are directly pertinent to this contract for the purpose of financial audit or program review. Records and other prequalification information confidentially

disclosed as part of the bid process shall not be deemed as directly pertinent to the contract and shall be exempt from disclosure as provided in KRS 61.878(1)(c). The contractor also recognizes that any books, documents, papers, records, or other evidence, received during a financial audit or program review shall be subject to the Kentucky Open Records Act, KRS 61.870 to 61.884.

In the event of a dispute between the contractor and the contracting agency, Attorney General, or the Auditor of Public Accounts over documents that are eligible for production and review, the Finance and Administration Cabinet shall review the dispute and issue a determination, in accordance with Secretary's Order 11-004.

April 30, 2018

SPECIAL NOTE FOR RECIPROCAL PREFERENCE

RECIPROCAL PREFERENCE TO BE GIVEN BY PUBLIC AGENCIES TO RESIDENT BIDDERS

By reference, KRS 45A.490 to 45A.494 are incorporated herein and in compliance regarding the bidders residency. Bidders who want to claim resident bidder status should complete the Affidavit for Claiming Resident Bidder Status along with their bid in the electronic bidding software. Submittal of the Affidavit should be done along the bid in Bid Express.

April 30, 2018

**SPECIAL NOTES
DISTRICT NO. 7
BRIDGE DECK RESTORATION
VARIOUS COUNTIES
CID 192960 021GR19M002**

FE02 011 0150 B00009N 15.50

Boyle County ~ US 150 (Wilderness Road) over Clarks Run

Geographic Coordinates

Latitude – 37° 37' 43.00''

Longitude – 084° 44' 45.00''

Description

4~30' RCDG Spans, Drawing No. 10024

FE02 057 0169 B00009N 07.02

Jessamine County ~ KY 169 (Union Mill Road) over Hickman Creek

Geographic Coordinates

Latitude – 37° 53' 31.00''

Longitude – 084° 30' 52.00''

Description

4~35' RCDG Spans, Drawing No. 09654

FE02 084 0926 B00021N 00.67

Mercer County ~ KY 926 (Bethel Road) over Thompson Creek

Geographic Coordinates

Latitude – 37° 52' 04.00''

Longitude – 085° 00' 10.00''

Description

1~54' RCDG Span, Drawing No. 09994

FE02 120 0033 B00005N 04.32

Woodford County ~ KY 33 (Troy Pike) over Clear Creek

Geographic Coordinates

Latitude – 37° 55' 37.00''

Longitude – 084° 42' 13.00''

Description

77'-100'-77'' RCDG Spans, Drawing No. 14144

SPECIAL NOTES FOR BRIDGE DECK RESTORATION

SPECIAL NOTE FOR BRIDGE RESTORATION AND WATERPROOFING WITH CONCRETE OVERLAYS

SPECIAL NOTE FOR REPLACING EXPANSION JOINTS AND/OR INSTALLING ARMORED EDGES FOR CONCRETE ON BRIDGES

SPECIAL NOTE FOR ELIMINATING TRANSVERSE JOINTS ON BRIDGES

SPECIAL NOTE FOR CONCRETE PATCHING REPAIR

SPECIAL NOTE FOR DECK DRAIN RETROFIT

SPECIAL NOTE FOR BRIDGE CLEANING AND PREVENTIVE MAINTENANCE

SPECIAL NOTE FOR CONTRACT COMPLETION DATE AND LIQUIDATED DAMAGES ON BRIDGE REPAIR CONTRACTS

SPECIAL NOTE FOR MAINTAINING AND CONTROLLING TRAFFIC

SPECIAL NOTE FOR BRIDGE RESTORATION AND WATERPROOFING WITH CONCRETE OVERLAYS

- 1. DESCRIPTION.** Perform all work in accordance with the Kentucky Transportation Cabinet, Department of Highway's Standard Specifications for Road and Bridge Construction and applicable Supplemental Specifications, the Standard Drawings (current editions), this Note, and the attached detail drawings. Section references are to the Standard Specifications. This work consists of the following: (1) Furnish all labor, materials, tools, and equipment; (2) Machine prep the existing slab; (3) Complete full-depth and partial depth repairs as directed by the Engineer; (4) Repair/replace damaged and corroded reinforcing bars; (5) Place new concrete overlay and epoxy-sand slurry in accordance with Section 606; (6) Complete asphalt approach pavement; (7) Maintain and control traffic; and (8) Any other work specified as part of this contract. All construction will be in accordance with Section 606 unless otherwise specified.
- 2. MATERIALS.**

 - A. Latex Concrete.** See Section 606.03.17.
 - B. Class "M" Concrete.** Use either "M1" or "M2". See Section 601.
 - C. Bituminous Asphalt.** Use CL2 ASPH SURF 0.38D PG64-22.
 - D. Epoxy-Sand Slurry.** See Section 606.03.10.
- 3. CONSTRUCTION.**

 - A. Remove Existing Overlay.** In addition to Section 606.03.03, totally remove the existing concrete overlay by milling.
 - B. Partial Depth Slab Repair and Latex Overlay.** Remove areas determined to be unsound by the Engineer via hydro-demolition or via hand held jackhammers weighing less than 45lbs in accordance with Section 606.02.10 D. Repair/Replace all damaged or severely corroded reinforcing bars prior to partial depth repair operation. The Department will not measure material removal and will consider this work incidental to the bid item "PARTIAL DEPTH PATCHING". Mix and place Latex Modified Concrete Overlay in accordance with Sections 606.03.08 and 606.03.17.
 - C. Asphalt Approach Pavement.** Mill each existing asphalt approach for a distance of 50' from the bridge end. Remove the bituminous material uniformly by making an edge key, so as to provide a smooth transition to the finished bridge when a new bituminous overlay of compacted depth of approximately 1½" is added to the approaches. The grinding depth may vary depending of the condition of the existing approach and final elevation of bridge end. Dispose of all removed material away from the site.
 - D. Surface Texturing.** Texture the concrete surface of the overlay in accordance with Section 609.03.10.
 - E. Verifying Field Conditions.** The Contractor shall field verify all joint openings, locations and manufacture before ordering any material. New material that is unsuitable due to variation in existing structure shall be replaced at the Contractors expense.
 - H. Damage to the Structure.** The Contractor shall bear all responsibility and expense for any and all damage to the structure during the repair work even to removal and replacement of a fallen span, should the fallen span result from the Contractor's actions.

4. **MEASUREMENT.** See Section 606 and the following:
- A. **Latex Modified Concrete for Overlay.** The Department will measure the quantity in cubic yards using the theoretical volume as follows for each bridge:

011B00009N	(132'0" x 26'0" x 1.50") = 15.9 CY
057B00009N	(152'0" x 22'0" x 1.50") = 15.5 CY
084B00021N	(53'0" x 22'0" x 1.50") = 5.4 CY
120B00005N	(261'0" x 26'0" x 1.50") = 31.4 CY
 - B. **Latex Modified Concrete for Partial Depth Patching and variable thickness of Overlay.** The Department will measure the quantity in cubic yards by deducting the theoretical volume of bridge deck overlay (LMC) from the total volume (as indicated by the batch quantity tickets) of Concrete required to obtain the finished grade shown on the Plans or established by the Engineer.
 - C. **Remove Existing Overlay.** The Department will measure the removal of the existing overlay in square yards, which shall include all labor, equipment, and material needed to complete this work.
 - D. **Steel Reinforcement.** The Department will measure any reinforcing steel necessary for the partial or full depth patch in pounds, which shall include all labor, equipment, and material needed to complete this work.
 - E. **Asphalt Approach Pavement.** The Department will measure the quantity in square yards, which shall include all labor, equipment, and material needed to complete this work.
5. **PAYMENT.** See Section 606 and the following:
- A. **Latex Modified Concrete for Overlay.** The Department will make payment for the Latex Modified Concrete under bid item #08534 "CONCRETE OVERLAY – LATEX" for the quantity in cubic yards complete in place.
 - B. **Latex Modified Concrete for Partial Depth Patching and variable thickness of Overlay.** The Department will make payment for the Partial Depth Patching under bid item #24094EC "PARTIAL DEPTH PATCHING". Payment will be for the quantity per cubic yard complete in place.
 - C. **Remove Existing Overlay.** The Department will make payment for the removal of the existing overlay under the bid item #08510 "REM EPOXY BIT FOREIGN OVERLAY". Payment will be for the square yard complete.
 - D. **Steel Reinforcement.** The Department will make payment for steel reinforcement, if necessary, under bid item #08150 "STEEL REINFORCEMENT". Payment will be at the unit price per pound.
 - E. **Asphalt Approach Pavement.** The Department will make payment for the completed and accepted quantity of this work under the bid item #03304 "BRIDGE OVERLAY APPROACH PAVEMENT".

SPECIAL NOTE FOR REPLACING EXPANSION JOINTS AND/OR INSTALLING ARMORED EDGES FOR CONCRETE ON BRIDGES

1. DESCRIPTION. Perform all work in accordance with the Kentucky Transportation Cabinet, Department of Highway's Standard Specifications for Road and Bridge Construction and applicable Supplemental Specifications, the Standard Drawings (current editions), this Note, and the attached detail drawings. Section references are to the Standard Specifications. This work consists of the following: (1) Furnish all labor, materials, tools, and equipment; (2) Remove existing concrete and expansion joint(s) and/or bridge ends; (3) Install armored edges, modular expansion joint assembly and new concrete as specified and in accordance with the attached detail drawings; (4) Install new joint seals (where required); (5) Maintain and control traffic; and (6) Any other work specified as part of this contract.

2. MATERIALS.

A. Class "M" Concrete. Use either "M1" or "M2". See Section 601.

B. Structural Steel. Use new, commercial grade steel suitable for welding. The Engineer will base acceptance on visual inspection. See attach detailed drawings

C. Stud Anchors. The armored edge stud anchors are $\frac{3}{4}$ " x 6" embedded stud shear connectors conforming to ASTM A108, Grade 1015

D. Steel Reinforcement. Use Grade 60. See Section 602.

E. Epoxy Bond Coat. See Section 511.

F. Joint Seals.

Pre-compressed Silicon and Hybrid Foam Joint Seals

1" ~ SSI SES 112, Watson Bowman Acme FS-100 or BEJS BEJS-ON-A-Reel
(Bridge Deck and Parapet).

4" ~ SSI SES-400, RJ Watson SF-400, Watson Bowman Acme SF-400 or
BEJS EMSEAL (4") or DS Brown V-400 **(Parapet)**

4" Neoprene Strip Seals (Bridge Deck).

See Section 807.03.03.

3. EQUIPMENT.

A. Hammer. Provide Power driven hammers lighter than nominal 45 lb. class.

B. Sawing Equipment. Sawing equipment shall be a concrete saw capable of sawing concrete to the specified depth.

C. Hydraulic Impact Equipment. Hydraulic Impact/Skid Steer Type Equipment with a maximum rated striking Energy of 360 ft-lbs are permitted only in areas of concrete removal more than 6 inches away from boundaries of surface areas to remain in service. The Contractor is to provide data information to the engineer on the equipment they wish to utilize to ensure compliance with this note.

4. CONSTRUCTION.

- A. Remove Existing Materials.** Remove existing expansion joints, existing modular expansion joint assembly, bridge end armored edges and specified areas of concrete as shown on the attached detailed drawings. Remove debris and/or expansion joint filler as directed by the Engineer. Clean and leave all existing steel reinforcement encountered in place. Damaged steel reinforcement will be repaired/replaced as directed by the Engineer at no additional cost to the Department. Dispose of all removed material entirely away from the job site. This work is incidental to the contract unit price for "Expansion Joint Replacement" or "Armored Edge for Concrete".
- B. Place New Concrete and Armored Edges.** After all specified existing materials have been removed; place new armored edges to match the original grade (See attached detail drawings). Place the new Class "M" concrete to the original grade and finish with broom strokes drawn transversely from curb to curb. All new structural steel shall be cleaned and painted in accordance with requirements of Section 607.03.23, except that surfaces to come in contact with concrete are not to be painted. Blast clean all areas of existing concrete and structural steel to come in contact with new concrete until free of all laitance and deleterious substances immediately prior to the placement of the Class "M" Concrete. The surface areas of existing concrete to come in contact with the new Class "M" Concrete are to be coated with an epoxy bond coat immediately prior to placing new concrete in accordance with Section 511. The interfaces of the new and old concrete shall be as nearly vertical and horizontal as possible. Shop drawings will not be required.
- C. Additional Steel Reinforcement.** Furnish for replacement, as directed by the Engineer, 200 linear feet each joint of #4 steel reinforcing bars in 20' lengths. Place these bars in areas deemed by the Engineer to require additional reinforcement. Field cutting and bending is permitted. Do not place any additional steel reinforcement above the height of the top row of Nelson Studs on the armored edges. Ensure that all exposed steel reinforcement is tied in accordance with Section 602.03.04 prior to pouring the new Class "M" concrete. Deliver unused bars to the Local County Maintenance Barn. Payment will be made in accordance with Section 602.
- D. Stage Construction.** Installation of concrete, armored edges and modular expansion joint assembly in two (or more if specified) stages is necessary. Join the armored edges and modular expansion joint assembly at or near the centerline of the roadway or lane line, field weld and grind smooth.
- E. Preformed Neoprene Joint Seal.** Place the preformed joint seal in one continuous, unbroken length. Place neoprene strip seals as recommended by the manufacturer and in accordance with Section 609.03.04 except that shop drawings will not be required.
- F. Pre-compressed Silicone and Foam Hybrid Seals.** Place pre-compressed silicone and foam Hybrid seals as recommended by the manufacturer. Shop drawings will not be required.
- G. Residual Lead.** Residual lead paint may still be on bridge. The Contractor is advised to take all necessary protective measures including worker safety and environmental regulations when performing surface preparation. The Department will not consider any claims based on residual lead paint.

- G. Verifying Field Conditions.** The Contractor shall field verify all joint openings, locations and manufacture before ordering any material. New material that is unsuitable due to variation in existing structure shall be replaced at the Contractors expense.
- H. Damage to the Structure.** The Contractor shall bear all responsibility and expense for any and all damage to the structure during the repair work even to removal and replacement of a fallen span, should the fallen span result from the Contractor's actions.
- 5. MEASUREMENT.**
- A. Expansion Joint Replace 1 In.** The Department will measure the quantity in linear feet from gutter line to gutter line along the centerline of the joint.
 - B. Expansion Joint Replace 4 In.** The Department will measure the quantity in linear feet from gutter line to gutter line along the centerline of the joint.
 - C. Armored Edge for Concrete.** The Department will measure the quantity in linear feet from gutter line to gutter line along the face of the bridge end.
 - D. Steel Reinforcement.** See Section 602.
- 6. PAYMENT.**
- A. Expansion Joint Replace 1 In. (03293)** Payment at the contract unit price per linear foot is full compensation for removing specified existing materials, furnishing and installing the new armored edges, concrete, joint seal, and all incidental items necessary to complete the work within the specified pay limits as specified by this note and as shown on the attached detail drawings.
 - B. Expansion Joint Replace 4 In. (03298)** Payment at the contract unit price per linear foot is full compensation for removing specified existing materials, furnishing and installing the new armored edges, concrete, neoprene strip seal (bridge deck), Pre-compressed Silicone and Foam Hybrid Seals (parapets) and all incidental items necessary to complete the work within the specified pay limits as specified by this note and as shown on the attached detail drawings.
 - C. Armored Edge for Concrete (03299).** Payment at the contract unit price per linear foot is full compensation for placing new armored edge and any approach pavement repair, traffic striping repair and all incidental items necessary to complete the work within the specified pay limits as specified by this note and as shown on the attached detailed drawings.
 - D. Steel Reinforcement (08150).** See Section 602.

SPECIAL NOTE FOR ELIMINATING TRANSVERSE JOINTS ON BRIDGES

1. **DESCRIPTION.** Perform all work in accordance with the Kentucky Transportation Cabinet, Department of Highway's Standard Specifications for Road and Bridge Construction and applicable Supplemental Specifications, the Standard Drawings (current editions), this Note, and the Attached Detailed Drawings. Section references are to the Standard Specifications. This work consists of the following: (1) Furnish all labor, materials, tools, and equipment; (2) Remove existing concrete and expansion device(s) (3) Place new concrete and steel reinforcement as specified (4) Maintain and control traffic; and (5) Any other work specified as part of this contract. See attached detailed drawings.

2. **MATERIALS.**
 - A. **Class "M" Concrete.** Use either "M1" or "M2". See Section 601.
 - B. **Steel Reinforcement.** Use Grade 60. See Section 602.
 - C. **Epoxy Bond Coat.** See Section 511.

3. **EQUIPMENT.**
 - A. **Hammer.** See Section 606.02.10 B.
 - B. **Sawing Equipment.** See Section 606.02.10 C.
 - C. **Hydraulic Impact Equipment.** See Section 606.02.10 D.

4. **CONSTRUCTION.**
 - A. **Remove Existing Materials.** Remove the existing transverse joints, joint filler, and specified areas of concrete as shown on the plans or as directed by the Engineer. Clean and leave all existing steel reinforcement encountered in place. Damaged steel reinforcement will be repaired/replaced as directed by the Engineer at no additional cost to the Department.
Dispose of all removed material entirely away from the job site. This work is incidental to the contract unit price for "Eliminate Transverse Joint".
 - B. **Additional Steel Reinforcement.** Furnish for this work steel reinforcing bars as shown on the plans. Splice these bars to the existing longitudinal reinforcement in the deck and curb/sidewalk in the areas of removed concrete to tie the slabs together as shown on the plans. Ensure that all exposed steel reinforcement is tied in accordance with Section 602.03.04 prior to pouring the new Class "M" concrete.
 - C. **Place New Concrete.** Blast-clean all areas of existing concrete and structural steel to come in contact with new concrete until free of all laitance and deleterious substances immediately prior to the placement of the Class "M" Concrete. The surface areas of existing concrete to come in contact with the new Class "M" Concrete are to be coated with an epoxy bond coat immediately prior to placing new concrete in accordance with Section 511. The interfaces of the new and old concrete shall be as nearly vertical and horizontal as possible. Place new Class "M" Concrete to the specified grade and finish to receive the new overlay or as shown on the plans. On the sidewalk and curb, place the new concrete to original grade and finish to match the existing curb/sidewalk. Repair all pavement striping that is disturbed.

- D. Stage Construction.** Installation of concrete in two (or more if specified) stages is necessary.
 - E. Residual Lead.** Residual lead paint may still be on bridge. The Contractor is advised to take all necessary protective measures including worker safety and environmental regulations when performing surface preparation. The Department will not consider any claims based on residual lead paint.
 - F. Verifying Field Conditions.** The Contractor shall field verify all dimensions before ordering any material. New material that is unsuitable due to variation in existing structure shall be replaced at the Contractors expense.
 - G. Damage to the Structure.** The Contractor shall bear all responsibility and expense for any and all damage to the structure during the repair work even to removal and replacement of a fallen span, should the fallen span result from the Contractor's actions.
5. **MEASUREMENT.**
- A. Eliminate Transverse Joint.** The Department will measure the quantity in linear feet from plinth to plinth perpendicular to the centerline of the bridge.
 - B. Steel Reinforcement.** See Section 602.
6. **PAYMENT.**
- A. Eliminate Transverse Joint (03300).** Payment at the contract unit price per linear foot is full compensation for furnishing equipment, labor, tools and materials needed to complete removal and disposal of the specified existing materials, cleaning and straightening of existing steel reinforcement, furnishing and installing the concrete, repairing traffic striping and all incidental items necessary to complete the work within the specified pay limits as specified by this note and as shown on the attached detail drawings.
 - B. Steel Reinforcement (08150).** See Section 602.

SPECIAL NOTE FOR CONCRETE PATCHING REPAIR

1. DESCRIPTION.

Perform all work in accordance with the Department's Standard Specifications and applicable Supplemental Specifications (current editions), this note and the attached detailed drawings. Section references are to the Standard Specifications. This work consists of: (1) Furnish all labor, materials, tools, and equipment; (2) Remove existing spalled/delaminated concrete; (3) Prepare the existing surface for concrete patching; (4) Apply concrete patching as specified by this note and as shown on the attached detail drawings; (6) Finish and cure the new Concrete Patches; (7) Maintain & control traffic; and, (8) Any other work specified as part of this contract. See attachment detailed drawing "Layout Sheet" for locations.

2. MATERIALS.

- A. **Concrete. "M" Concrete.** Use either "M1" or "M2". See Section 601.
- B. **Steel Reinforcement.** Use Grade 60. See Section 602.
- C. **Epoxy Bond Coat.** See Section 511.
- D. **Welded Steel Wire Fabric (WWF).** Conform to Section 811.
- E. **Hook Fasteners.** Use commercial grade galvanized hook fasteners. Minimum 3/16" diameter.

3. CONSTRUCTION.

- A. **Concrete Removal and Preparation.** The Contractor, as directed by the Engineer shall locate and remove all loose, spalled, deteriorated and delaminated concrete. Care shall be exercised not to damage areas of sound concrete or reinforcing steel during concrete removal operations. Unless specifically *directed by the Engineer*, depth of removal shall not exceed 4 inches. Concrete removal shall be in accordance with a sequence approved by the Engineer. Concrete removal shall be accomplished by chipping with hand picks, chisels or light duty pneumatic or electric chipping hammers (not to exceed 35 lbs.). If sound concrete is encountered before existing reinforcing steel is exposed, the surface shall be prepared and repaired without further removal of the concrete. When corroded reinforcing steel is exposed, concrete removal shall continue until there is a minimum $\frac{3}{4}$ inch clearance around the exposed, corroded reinforcing bar. Care shall be taken to not damage bond to adjacent non-exposed reinforcing steel during concrete removal processes. After all deteriorated concrete has been removed; the repair surface to receive concrete patching shall be prepared by blast cleaning. Blast cleaning shall remove all fractured surface concrete and all traces of any unsound material or contaminants such as oil, grease, dirt, slurry, or any materials which could interfere with the bond of freshly placed concrete. The Contractor shall dispose all removed material off State Right Of Way in an approved site.

- B. Steel Reinforcement.** All corroded reinforcing steel exposed during concrete removal shall have corrosion products removed by abrasive blasting or wire brush whichever is more appropriate. If required, furnish for replacement, as directed by the Engineer, adequate quantity of steel reinforcing bars ½” diameter for the patch in curb areas. Place these bars in areas deemed by the Engineer to require additional reinforcement. Field cutting and bending is permitted.
- C. Concrete Patching Repair.** Place and finish the new concrete for the patching area in accordance with the manufacturer’s recommendations, as shown on the attached detail drawings, or as directed by the Engineer. The Engineer shall approve the Contractor’s method of placing and consolidating the concrete prior to the beginning of this operation.
- D. Curing.** On completion of finishing operation, patching concrete shall immediately be prevented from drying out and cracking by fogging, wetting, and/or any appropriate method approved by the Engineer. Curing shall continue for duration recommended by the product manufacturer.

Each Contractor submitting a bid for this work shall make a thorough inspection of the site prior to submitting his bid and shall thoroughly familiarize himself with existing conditions so that the work can be expeditiously performed after a contract is awarded. Submission of a bid will be considered evidence of this inspection having been made. Any claims resulting from site conditions will not be honored by the Department. Quantities given are approximate. The quantity for “Concrete Repair” shall be bid with the contingency that quantities may be increased, decreased, or eliminated by the Engineer. Dispose of all removed material entirely away from the job site as approved by the Engineer. This work is incidental to the contract unit price for “Pier Repair”.

2. MEASUREMENT

- A. Concrete Patching Repair.** The Department will measure the quantity per square feet of each area restored, completed and accepted.
- B. Steel Reinforcement, Welded Wire Fabric & Hook Fasteners.** Steel Reinforcement, Welded Wire Fabric and Hook Fasteners will not be measured for payment, but shall be considered incidental to “Concrete Patching Repair”.

5. PAYMENT

- A. Concrete Patching Repair ~ Type A and Type B (22146EN).** Payment at the contract unit price per square feet is full compensation for the following: (1) Furnish all labor, materials, tools, equipment; (2) preparation of specified areas including removing and disposing of specified existing materials; (3) place, finish and cure new concrete patches; and (4) all incidentals necessary to complete the work as specified by this note and as shown on the attached detail drawings.

SPECIAL NOTE FOR DECK DRAIN RETROFIT

1. DESCRIPTION. Perform all work in accordance with the Kentucky Transportation Cabinet, Department of Highway's Standard Specifications for Road and Bridge Construction and applicable Supplemental Specifications, the Standard Drawings, (Current Additions), this note, and the attached detail drawings. This work consists of: (1) Furnish all labor, materials, tools, and equipment; (2) Install Deck Drain Retrofit and (3) Any other work specified as part of this contract.

2. MATERIALS

- A. PVC Pipe and PVC Fittings (Type A).** Schedule 80 PVC conforming to ASTM D1785 shall be used. Use primer and cement as per manufacture's specifications.
- B. Silicone Sealer (Type A).** A material conforming ASTM D 5893 shall be used.
- C. Poly-methyl methacrylate (Type B).** Use new, commercial grade, ¼" thick Poly-methyl methacrylate known as acrylic glass or its various trade names, like Plexiglass®. The Engineer will base acceptance on visual inspection.
- D. Anchors (Type A and B).** Will allow galvanized all-tread ½"x 6" or an approved alternate.
- E. Grout (Type A and B).** See Section 511.

3. CONSTRUCTION

- A. Deck Drain Retrofit.** After all areas of Beam Repairs are complete; place PVC components (Type A) and place PMMA glass (Type B) as shown in attached detail drawings.
- B. Deck Drain Cleaning.** Remove all debris obstructing the function of the deck drain.
- C. Verifying Field Conditions.** The Contractor shall field verify all dimensions, before ordering any material. New material that is unsuitable due to variation in existing structure shall be replaced at the Contractors expense.
- D. Damage to the structure.** The Contractor shall bear all responsibility and expense for any and all damage to the structure during the repair work, even to the removal and replacement of a fallen span, should the fallen span result from the Contractors actions.

4. MEASUREMENT

- A. Deck Drain Retrofit ~ Type A and B.** The Department will measure this quantity as each.

5. PAYMENT

- A. Deck Drain Retrofit ~ Type A and B (24692EC).** Payment at the contract unit price per each is full compensation for furnishing and installing PVC pipe, new acrylic glass panels, and all incidental items necessary to complete the work within the specified pay limits as specified by this note and as shown on the attached detail drawings.

SPECIAL NOTE FOR BRIDGE CLEANING AND PREVENTIVE MAINTENANCE

1. DESCRIPTION. Perform all work in accordance with the Kentucky Transportation Cabinet, Department of Highway’s 2012 Standard Specification for Road and Bridge Construction applicable Supplemental Specifications, Standard Drawings, this Note and Attached Detailed Drawings. Section references are to the Standard Specifications. This work consists of the following: (1) Furnish all labor, materials, tools, and equipment; (2) All items included in Bridge Cleaning and Preventive Maintenance (3) Maintain and control traffic; (4) All other work required for this contract.

2. MATERIALS.

A. Wash Water

Use clean potable water for all pressure washing.

B. Concrete Coatings (Abutment Caps)

Use one of the coatings from the following manufactures:

Manufacture	Prime Coat	Finish Coat
Sherwin Williams	Macropoxy 646	Acrolon 218 HS
PPG	Amberlock 2	Devoe Devflex
Carboline	Carboguard 890	Carbothane 133 HB
Tnemec	Elastogrip 151	EnviroCrete 15

C. Bearing Lubricant

Use one of the lubricants from the following manufactures:

Manufacture	Lubricant
Bostik Inc.,	Never Seez - Mariner’s Choice
Mobil Oil	Mobil Centaur Moly NLGI Grades 1 or 2
Certified Labs	Premalube #1 WG

3. CONSTRUCTION.

A. Bridge Cleaning.

Specified bridge abutment components, end of beams and end diaphragms shall have all debris shall be removed. See attached detailed drawings for each bridge addressing components having debris removal. Equipment for removing debris from the bridge components shall be determined by the Contractor, subject to the approval of the Engineer. The Contractor shall prevent any debris from entering any body of water, bridge drainage system, or traffic lanes. All debris removed shall be disposed of in a suitable off-site disposal facility. Remove all vegetation needed to facilitate the bridge cleaning. **All cost to complete Debris Removal, and Remove Vegetation shall as specified shall be included in the Lump Sum price for “Bridge Cleaning”.**

B. Stratified and Pack Rust Removal.

Stratified and pack rust shall be removed from all bearing devices. All existing bearing lubrication shall be removed. See attached detailed drawings for each bridge showing location and quantity of the bearing devices. Hand tools including wire brushes, scrapers or impact devices (hand hammers or power chisels) are to be used for removing stratified and pack rust. All surfaces to have stratified and pack rust removed shall be cleaned to an SSPC SP-2 level. All debris collected shall be disposed of in a suitable off-site disposal facility. **All cost to complete Stratified, Pack Rust Removal and removal of existing bearing lubricant shall be considered incidental to the unit price bid for "Lubricate Bearing".**

C. Pressure Washing.

Specified bridge abutment components, beam ends and end diaphragms shall be pressure washed. See attached detailed drawings for each bridge addressing components to be pressure washed. All equipment for pressure washing shall be operated at a minimum pressure of up 4,000 psi with 0 degree spinner tip and/or fan tips as determined by the engineer at the working location with a minimum flow rate of 3.5 gal/minute provided that these pressures do not damage any components of the structure. Pressure and flow rates shall be reduced to a level satisfactory to the Engineer should any damage occur due to power washing procedures. Pressure washing shall be operated at distance of approximately six inches from and perpendicular to the surface. All pressure washing wands shall be equipped with a gauge to accurately determine the amount pressure used. Pressure washing of any bridge element will proceed from top of wash area to bottom of wash area. Wash water will not be released to a bridge element previously washed. Perform all pressure washing at temperatures above 40 degrees Fahrenheit. **All cost to complete Pressure Washing as specified shall be included in the Lump Sum price for Lump Sum price for "Bridge Cleaning".**

D. Concrete Coatings Application.

All abutment components, beam ends and end diaphragms shall have concrete coating applied to as specified after debris removal and power washing. Use compressed air to remove any loose debris from the surfaces that are to be coated after power washing. See concrete coating diagram. All coatings shall be applied within manufacturers recommended dry film thickness range. Comply with KYTC “Standard Specifications for Road and Bridge Construction” Section 614.03.02 and coatings supplier recommended conditions for application. Allow the surfaces to be coated to dry before any coating is applied. The coating must be applied to a clean and dry surface. All coating application shall be executed using brushes, rollers, etc. No spray application will be permitted. The Department requires acceptance testing of samples obtained on a per-lot basis per-shipment. The Division of Materials shall perform acceptance testing. Test samples shall be taken at the Contractor’s paint storage site. Department personnel shall perform sampling. Allow (10) working days for testing and approval of the sampled paint. It is the Contractor’s responsibility to maintain an adequate inventory of approved paint. The Department shall assume no responsibility for lost work due to rejection of paint or approved paint subsequently found to be defective during the application process. Perform all concrete coating application at temperatures above 40 degrees Fahrenheit or in accordance with manufactures specifications.

The finish coat shall be gray and will meet the following values.

	L*	a*	b*
Grey	74.94	- 1.54	3.92

All cost to complete Concrete Coating Application as specified shall be included in the Lump Sum price for “Concrete Coatings”.

Approximate square footage of concrete to have concrete coatings applied for each bridge follows:

120B00005N ~ 1300 Square Feet

The square footage listed this bridge is for informational purposes only.

E. Bearing Lubrication Application.

Bearing devices shall be lubricated as specified after all stratified rust and pack rust is removed and power washing is complete, bearing devices shall have lubricant applied to all surfaces of the bearing including bearing plates and points of movement. See attached detailed drawings for each bridge showing location and quantity of the bearing devices. Allow bearing devices to dry before lubricant is applied. Perform all bearing lubrication application at temperatures above 40 degrees Fahrenheit or in accordance with manufactures specifications. All cost to complete Bearing Lubrication Application as specified shall be included in the unit price Each for “Lubricate Bearing”

F. Sequence of Work.

Complete work in the sequence listed below:

1. Debris Removal
2. Stratified Rust Removal
3. Pressure Washing
4. Concrete Coating Application
5. Bearing Lubrication Application

G. Inspection.

The Cabinet will provide inspection for all items required in this contract. Visual inspection will be required upon completion of each work item for each structure component or at the discretion of the Engineer at any time. All visual inspection shall be performed within arm's length distance.

1. **Debris Removal:** Visual Inspection
2. **Stratified Rust or Pack Rust Removal:** Visual Inspection and Scraper
Test any surface cleaned to SSPC SP2 will be inspected by a dull scraper test to ascertain adherence of existing coating and a hammer test for tightness of pack rust.
3. **Power Washing:** Visual Inspection.
4. **Concrete Coating:**
Prime Coat Application Check for dry film thickness*, and defects in the Paint.
Finish Coat Application Check for dry film thickness*, paint appearance, color and quality of application.
*Destructive DFTs shall be used. Contractor shall repair all test locations, cost will be considered incidental to the contract.
5. **Bearing Greasing:** Visual Inspection.

H. Verifying Field Conditions.

The Contractor shall be familiar with all conditions at each bridge site. The Cabinet will not consider any claims due to the Contractor having not familiarized themselves with requirements of this work.

I. Residual Lead.

Residual lead paint may still be on bridge. The Contractor is advised to take all necessary protective measures including worker safety and environmental regulations when performing surface preparation. The Department will not consider any claims based on residual lead paint.

J. Damage to the structure.

The Contractor shall bear all responsibility and expense for any and all damage to the structure during the repair work, even to the removal and replacement of a fallen span, should the fallen span result from the Contractors actions.

4. **MEASUREMENT.**

Bridge Cleaning: The Cabinet will measure this item by Lump Sum, completed and accepted.

Concrete Coating: The Cabinet will measure this item by Lump Sum, completed and accepted.

Bearing Lubrication: The Cabinet will measure this item by Each, completed and accepted.

5. **PAYMENT.**

Bridge Cleaning (24981EC): Payment at the contract unit price for “Lump Sum” is full compensation for Debris Removal, Deck Drain Cleaning, Pressure Washing and all incidental items required to complete this with as specified in this note and attached detailed drawings.

Concrete Coating (24982EC): Payment at the contract unit price for “Lump Sum” is full compensation for applying the concrete coatings and all incidental items required to complete this work as specified in this note and attached detailed drawings.

Bearing Lubrication (24983EC): Payment at the contract unit price “Each” is full compensation for applying bearing lubrication and all incidental items required to complete this work as specified in this note and attached detailed drawings.

SPECIAL NOTE FOR CONTRACT COMPLETION DATE AND LIQUIDATED DAMAGES ON BRIDGE REPAIR CONTRACTS

1. **COMPLETION DATE.** The Contractor has the option of selecting the starting date for this Contract. Once selected, notify the Department in writing of the date selected at least two weeks prior to beginning work. All work is to be completed by the date listed below. An allotted number of Calendar days are assigned to each structure in this contract as shown below.

<u>STRUCTURE</u>	<u>NO. OF CALENDAR DAYS</u>	<u>COMPLETION DATE</u>
011B00009N	30	November 15, 2019
057B00009N	30	November 15, 2019
084B00021N	30	November 15, 2019
120B00005N	30	November 15, 2019

Contrary to Section 108.07.02, the Engineer will begin charging calendar days for a structure on the day the Contractor starts work or sets up traffic control on that particular structure.

2. **LIQUIDATED DAMAGES.** Liquidated damages will be assessed the Contractor in accordance with the Transportation Cabinet, Department of Highway's Standard Specifications for Road and Bridge Construction (current edition), Section 108.09, when either the allotted number of calendar days or the November 15, 2019 date is exceeded.

Contrary to the Standard Specifications, liquidated damages will be assessed the Contractor during the months of December, January, February and March when the contract time has expired on any individual bridge or bridges. Contract time will be charged during these months.

All construction must be completed in accordance with the weather limitations specified in Section 606 and/or Section 601 as applicable. No extension of Contract time will be granted due to inclement weather or temperature limitations that occur due to starting work on the Contract or a structure late in the construction season.

SPECIAL NOTE FOR TRAFFIC CONTROL ON BRIDGE REPAIR CONTRACTS

1. TRAFFIC CONTROL GENERAL

Except as provided herein, traffic shall be maintained in accordance with the 2012 Standard Specifications, Section 112. Except for the roadway and traffic control bid items listed, all items of work necessary to maintain and control traffic will be paid at the lump sum bid price to "Maintain and Control Traffic". Contrary to Section 106.01, traffic control devices used on this project may be new or used in new condition, at the beginning of the work and maintained in like new condition until completion of the work.

2. TRAFFIC COORDINATOR

Furnish a Traffic Coordinator as per Section 112. The Traffic Coordinator shall inspect the project maintenance of traffic, at least three times daily, or as directed by the Engineer, during the Contractor's operations and at any time a lane closure is in place. The personnel shall have access on the project to a radio or telephone to be used in case of emergencies or accidents. The Traffic Coordinator shall report all incidents throughout the work zone to the Engineer on the project. The Contractor shall furnish the name and telephone number where the Traffic Coordinator can be contacted at all times.

3. SIGNS

Contrary to Section 112.04.02, only long term signs (sign intended to be continuously in place for more than 3 days) will be measured for payment; short term signs (signs intended to be left in place for 3 days or less) will not be measured for payment but will be incidental to Maintain and Control Traffic.

The contractor is to install warning signs for wide loads in advance of the bridge under the direction of the Engineer. The Department will not measure installation, maintenance, or removal for payment, and will consider these incidentals to Maintain and Control Traffic.

4. TEMPORARY PAVEMENT STRIPING

Skip lines and/or solid lines through the length of the tapers for lane closures and other striping as directed by the Engineer shall be temporarily covered with 6" black removable tape. Permanent removal of all other pavement striping for traffic control shall be considered incidental to Maintain and Control Traffic. Temporary pavement striping shall be paid only once per course in accordance with Section 112.04.07. The Contractor shall replace any temporary striping that becomes damaged or fails to adhere to the pavement before dark on the day of the notification. Liquidated damages shall be assessed to the Contractor at a rate of \$500 per day for failing to replace temporary striping within this time limit.

5. PROJECT PHASING & CONSTRUCTION PROCEDURES

Maintain one lane of traffic on each bridge at all times in accordance with Standard Drawing No. TTC-110 for lane closures. The minimum clear lane width required is as follows:

<u>Structure</u>	<u>Clear Lane Width</u>
011B00009N	13'-0"
057B00009N	11'-0"
084B00021N	11'-0"
120B00005N	13'-0"

6. TEMPORARY SIGNAL

Provide, install, and maintain a temporary traffic signal as specified below. The Contractor must provide a 24-hour contact person and number available to maintain the temporary signals as needed.

<u>Structure</u>	<u>Signal</u>
011B00009N	2 Phase
057B00009N	2 Phase
084B00021N	2 Phase
120B00005N	2 Phase

7. MEASUREMENT.

Temporary Signs:

The Cabinet will measure this item by "Square Feet".

Maintain and Control Traffic:

The Cabinet will measure this item by "Lump Sum".

Lane Closure and Temp Signal 2 Phase:

The Cabinet will measure this item by "Each".

Pave Striping-Temp Rem Tape-B, W, and Y:

The Department will measure the quantity in "Linear Feet".

8. PAYMENT.

Temporary Signs (02562)

Payment at the contract unit price for "Square Feet" is full compensation for all items to complete this work as specified.

Maintain and Control Traffic (02650):

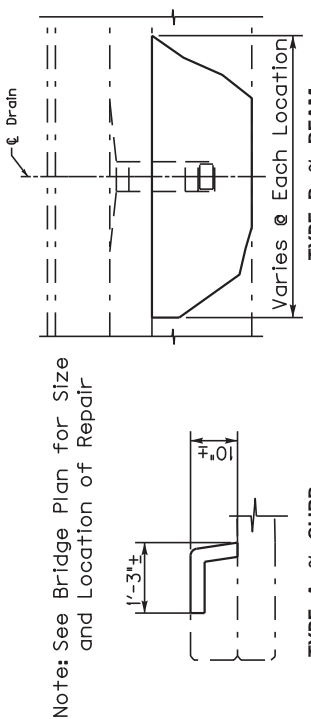
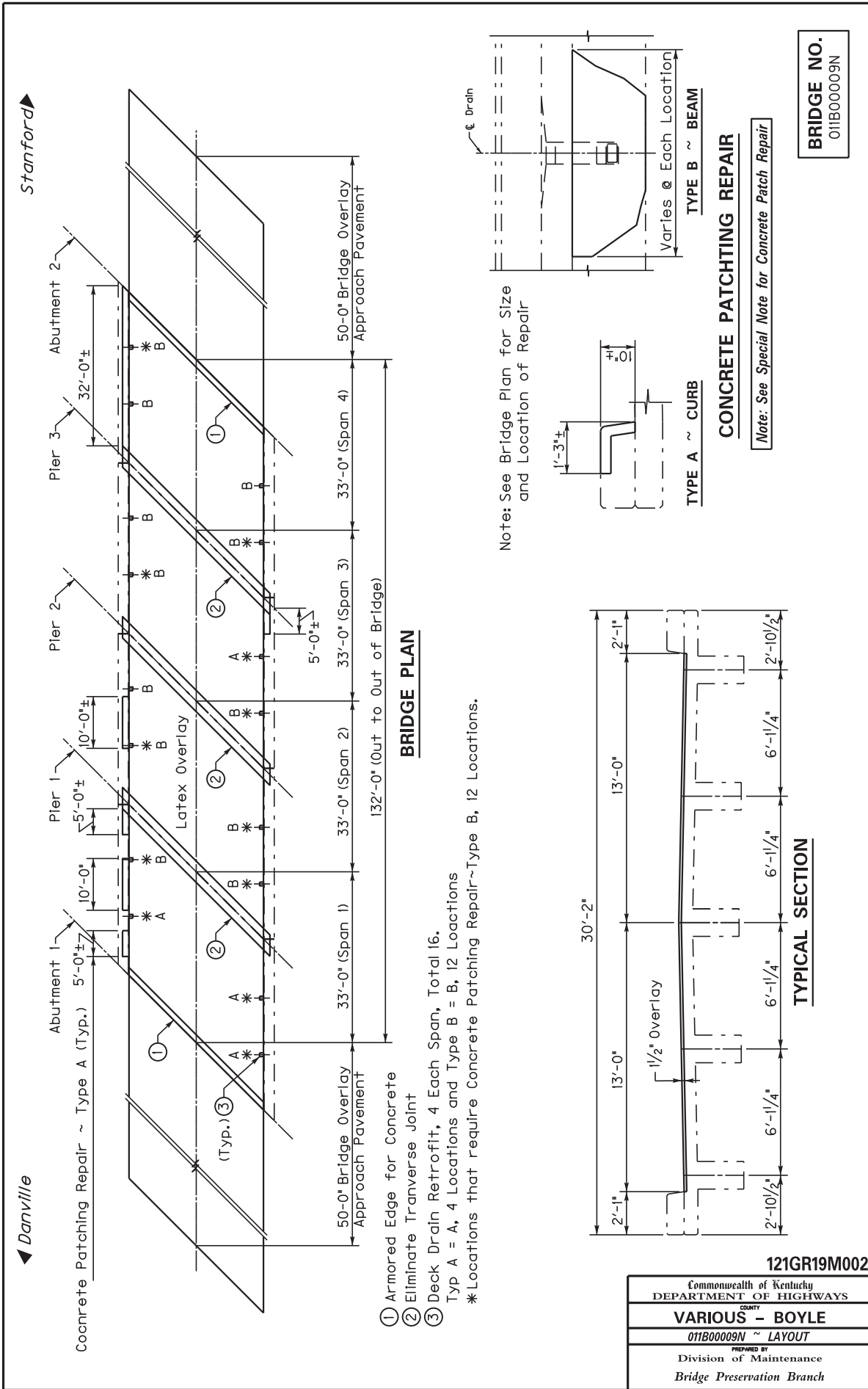
Payment at the contract unit price for "Lump Sum" is full compensation for all items to complete this work as specified.

Lane Closure (02653) and Temp Signal 2 Phase (04933):

Payment at the contract unit price "Each" is full compensation for all items to complete this work as specified.

Pave Striping-Temp Rem Tape-B (06549), W (06550), and Y (06551):

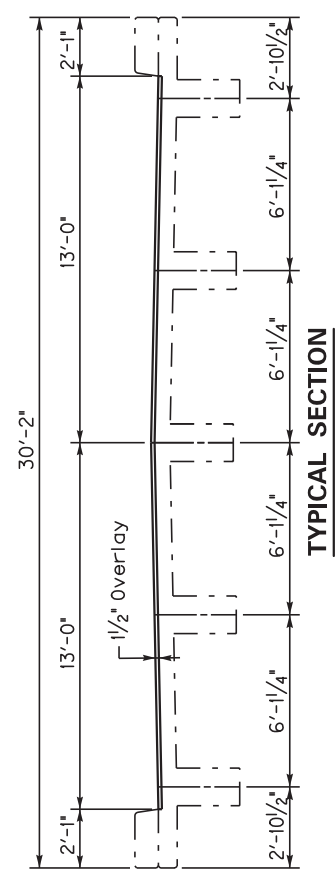
Payment at the contract unit price "Lineal Feet" is full compensation for all items to complete this work as specified.



CONCRETE PATCHING REPAIR

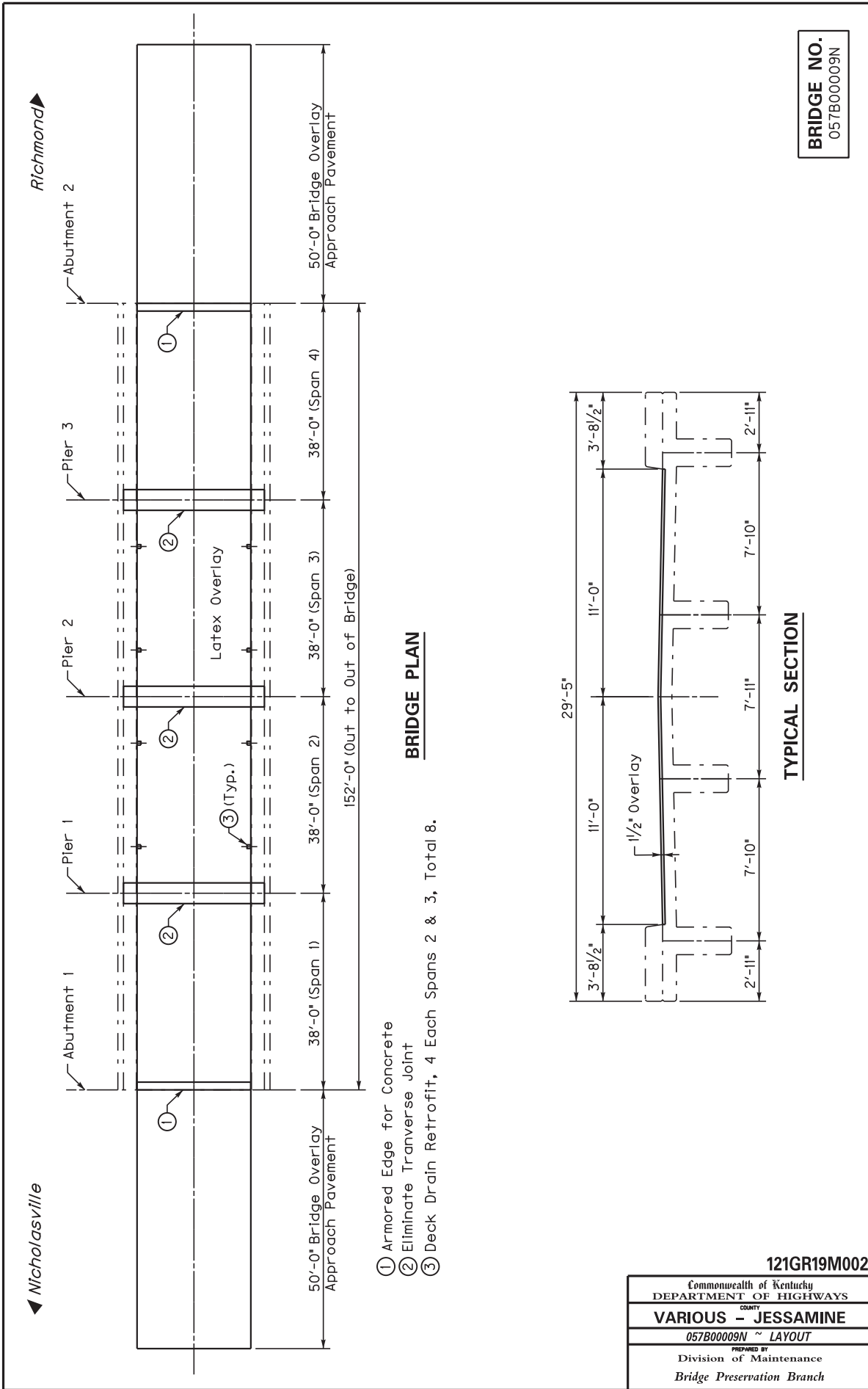
[Note: See Special Note for Concrete Patch Repair]

BRIDGE NO.
 011B00009N



121GR19M002

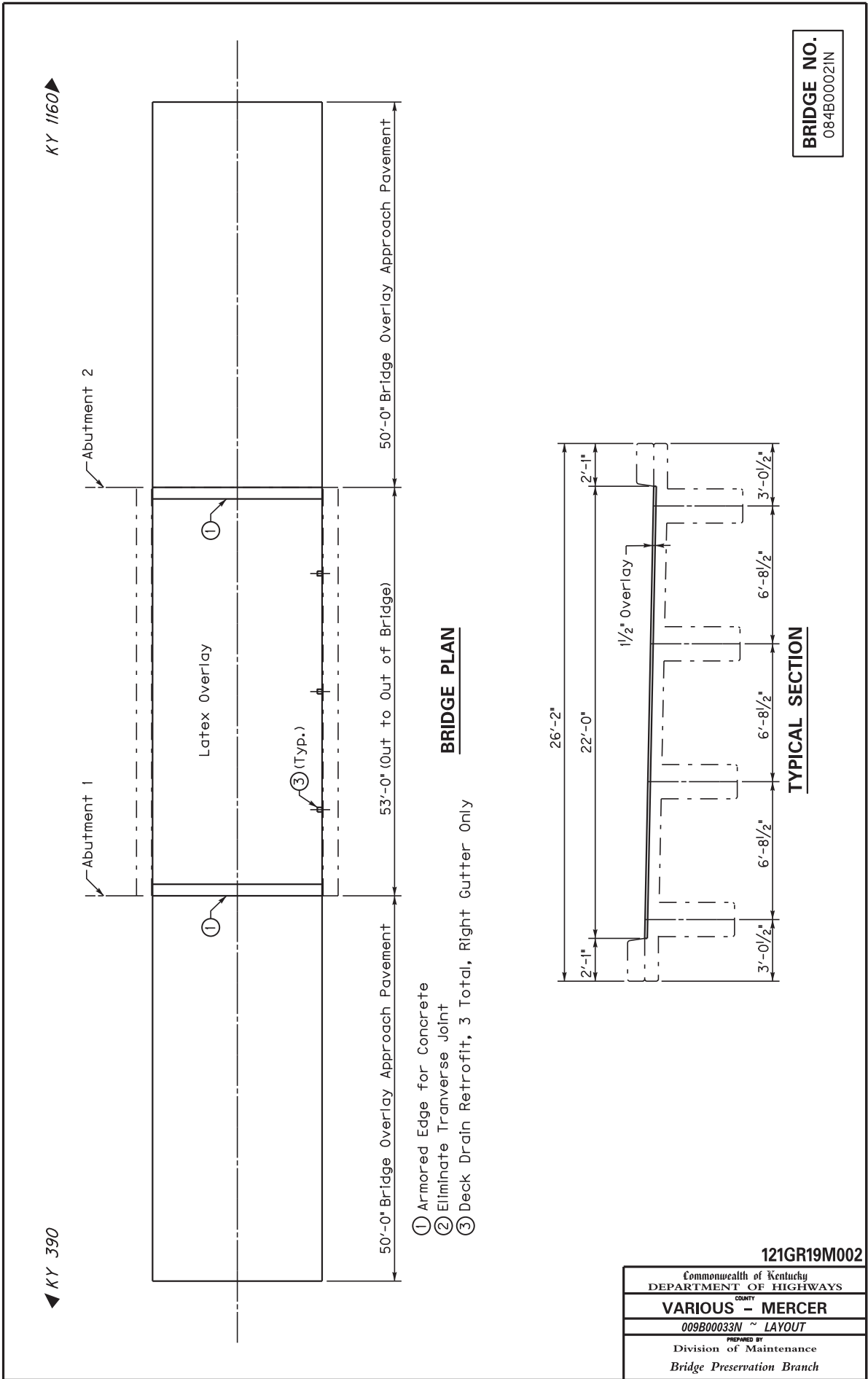
Commonwealth of Kentucky DEPARTMENT OF HIGHWAYS
COUNTY VARIOUS - BOYLE
011B00009N ~ LAYOUT
PREPARED BY Division of Maintenance Bridge Preservation Branch



BRIDGE NO.
 057B00009N

121GR19M002

Commonwealth of Kentucky DEPARTMENT OF HIGHWAYS
COUNTY VARIOUS - JESSAMINE
057B00009N ~ LAYOUT
PREPARED BY Division of Maintenance Bridge Preservation Branch



BRIDGE NO.
 084B0002IN

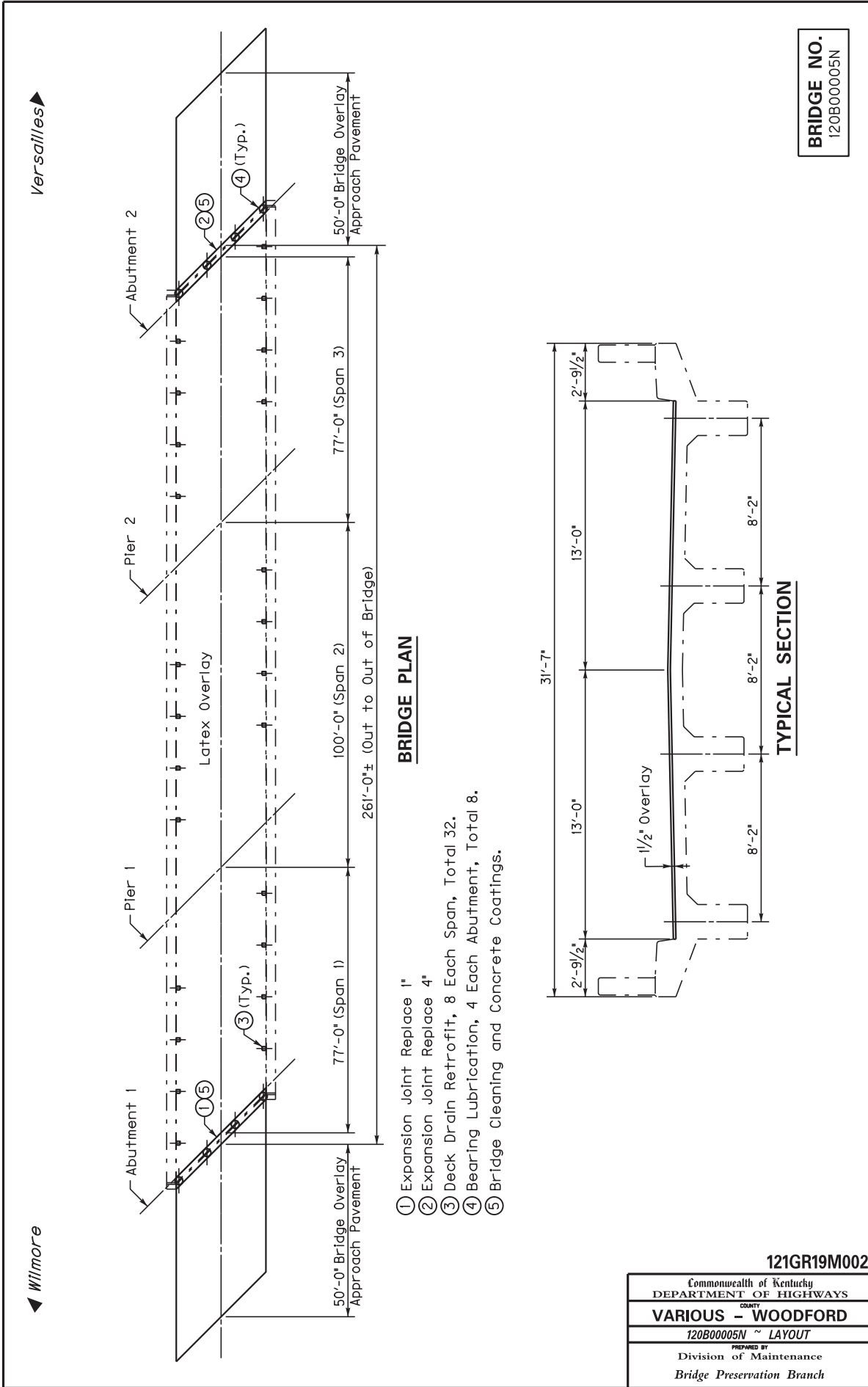
BRIDGE PLAN

TYPICAL SECTION

- ① Armored Edge for Concrete
- ② Eliminate Transverse Joint
- ③ Deck Drain Retrofit, 3 Total, Right Gutter Only

121GR19M002

Commonwealth of Kentucky DEPARTMENT OF HIGHWAYS	
COUNTY VARIOUS - MERCER	
PROJECT NO. 009B00033N ~ LAYOUT	
PREPARED BY Division of Maintenance Bridge Preservation Branch	



BRIDGE NO.
 120B00005N

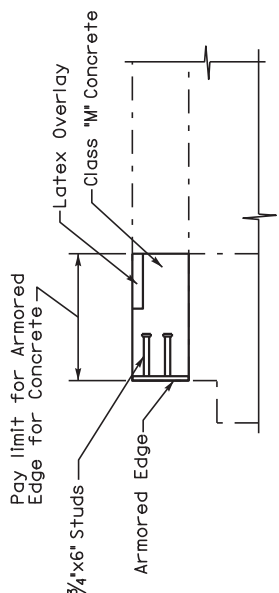
121GR19M002

Commonwealth of Kentucky
 DEPARTMENT OF HIGHWAYS

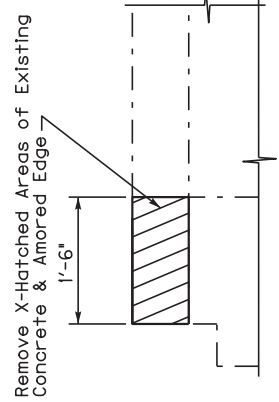
COUNTY
VARIOUS - WOODFORD

120B00005N ~ LAYOUT

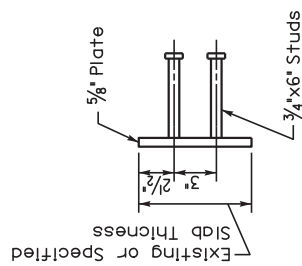
PREPARED BY
 Division of Maintenance
 Bridge Preservation Branch



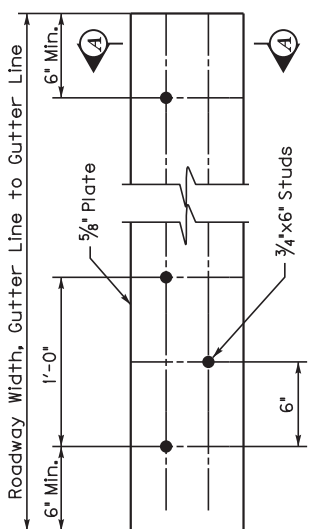
SECTION THROUGH SLAB END
 Proposed



SECTION THROUGH SLAB END
 Existing



SECTION A-A



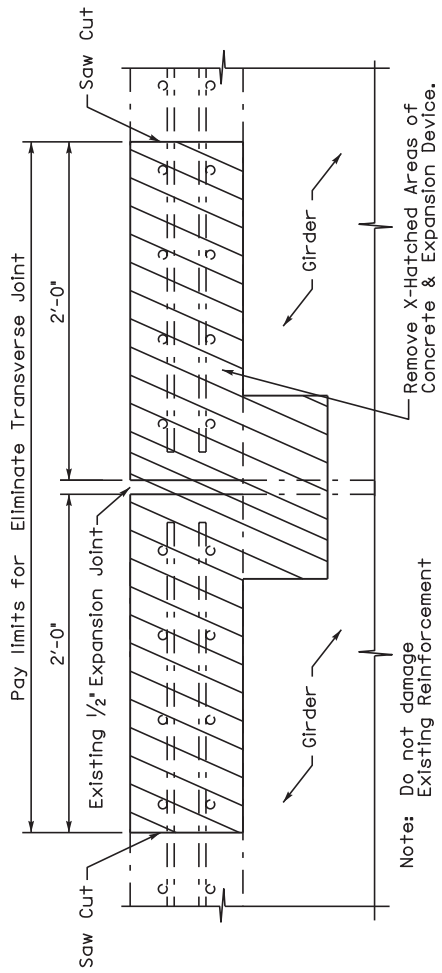
ARMORED EDGE

BRIDGE NO.
 011B00009N
 057B00009N
 084B00021N

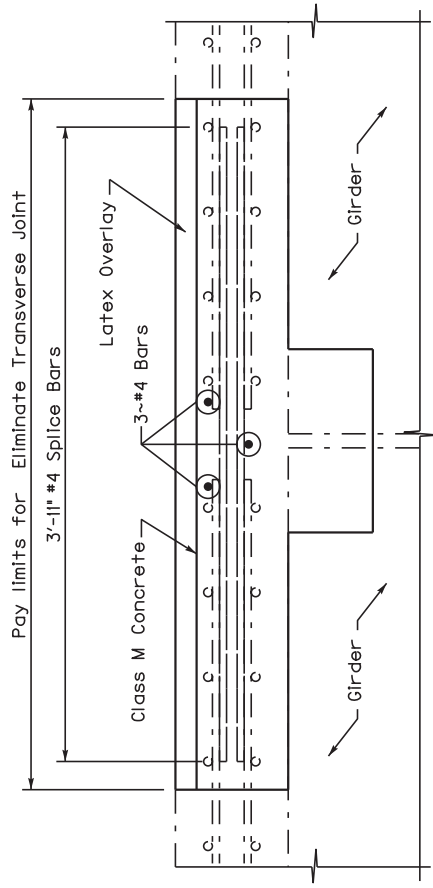
*Note: See Special Note for Replacing Expansion Dams and/or
 Installing Armored Edges for Concrete on Bridges*

121GR19M002

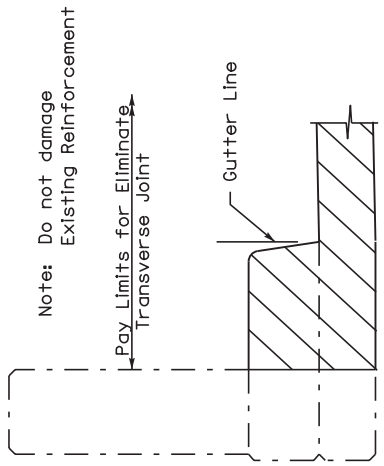
Commonwealth of Kentucky DEPARTMENT OF HIGHWAYS
COUNTY BOYLE-JESSAMINE
PREPARED BY ARMORED EDGE FOR CONCRETE
Division of Maintenance Bridge Preservation Branch



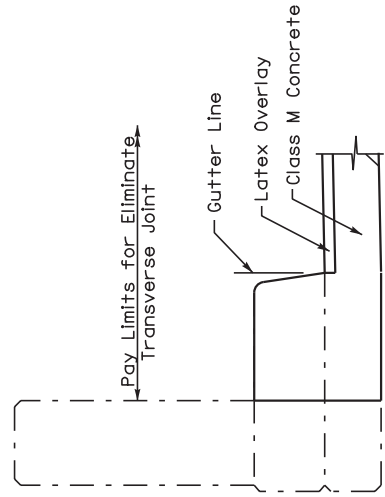
SECTION THROUGH JOINT
 (Existing)



SECTION THROUGH JOINT
 (Proposed)



SECTION THROUGH PAPAPET
 (Existing)



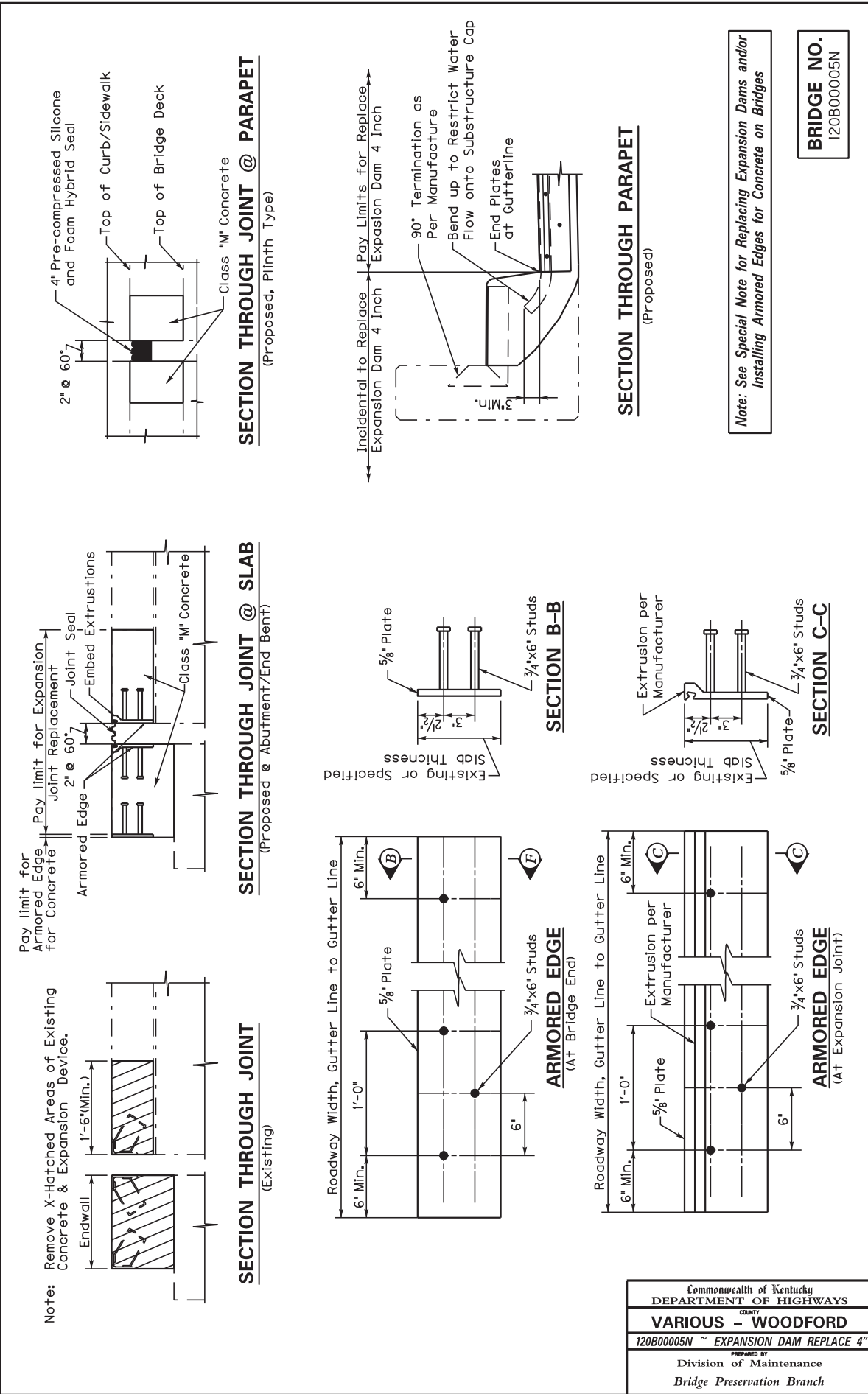
SECTION THROUGH PAPAPET
 (Proposed)

BRIDGE NO.
 011B00009N
 057B00009N

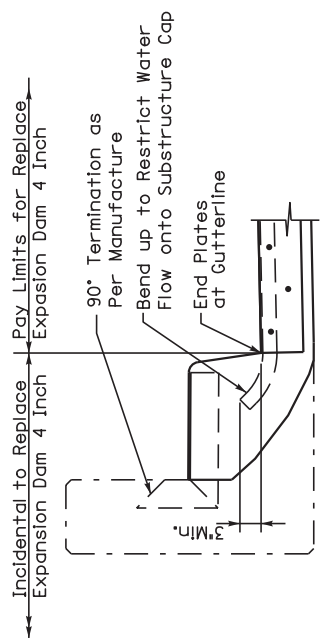
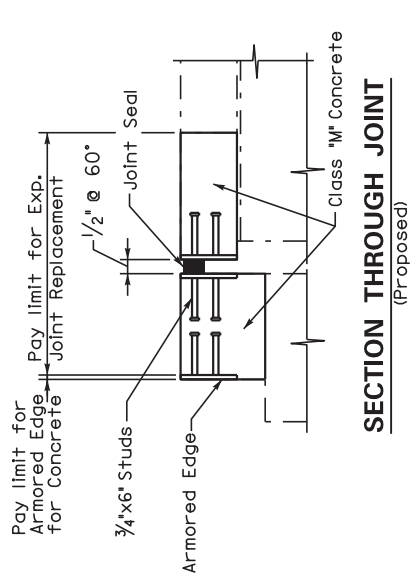
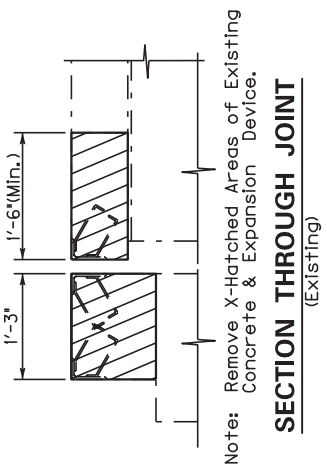
Note: See Special Note for Eliminating Transverse Joints on Bridges

121GR19M002

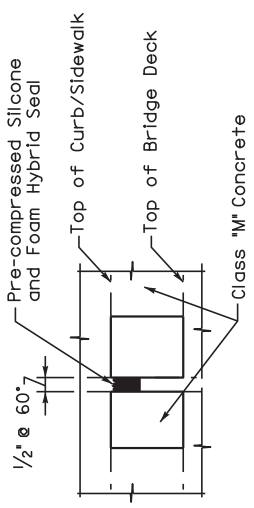
Commonwealth of Kentucky DEPARTMENT OF HIGHWAYS
BOYLE-JESSAMINE
ELIMINATE TRANSVERSE JOINT
Division of Maintenance Bridge Preservation Branch



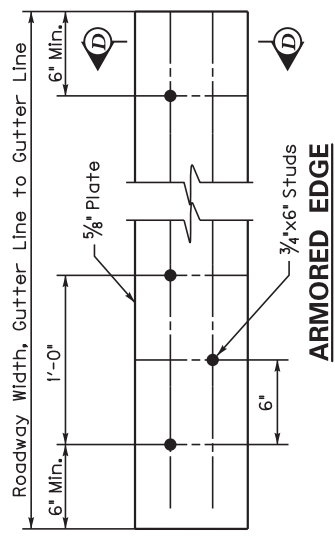
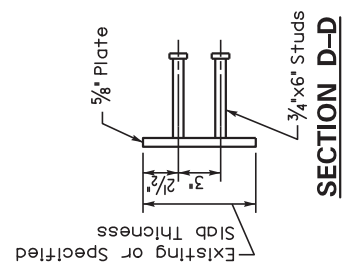
Commonwealth of Kentucky
 DEPARTMENT OF HIGHWAYS
 COUNTY
VARIOUS - WOODFORD
 120B00005N ~ EXPANSION DAM REPLACE 4"
 PREPARED BY
 Division of Maintenance
 Bridge Preservation Branch



SECTION THROUGH PARAPET
 (Proposed, Plinth Type)



SECTION THROUGH JOINT @ PARAPET
 (Proposed, Plinth Type)



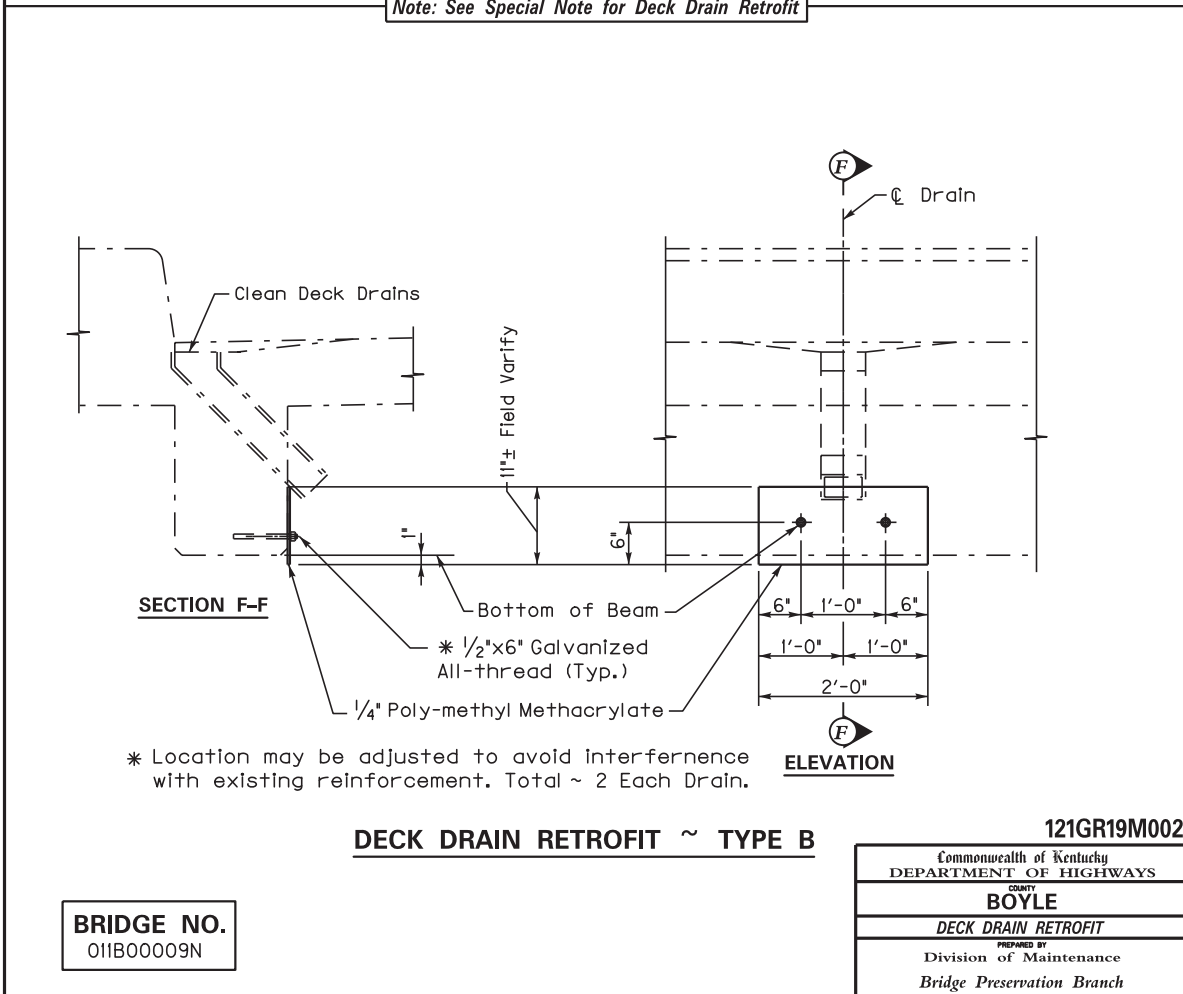
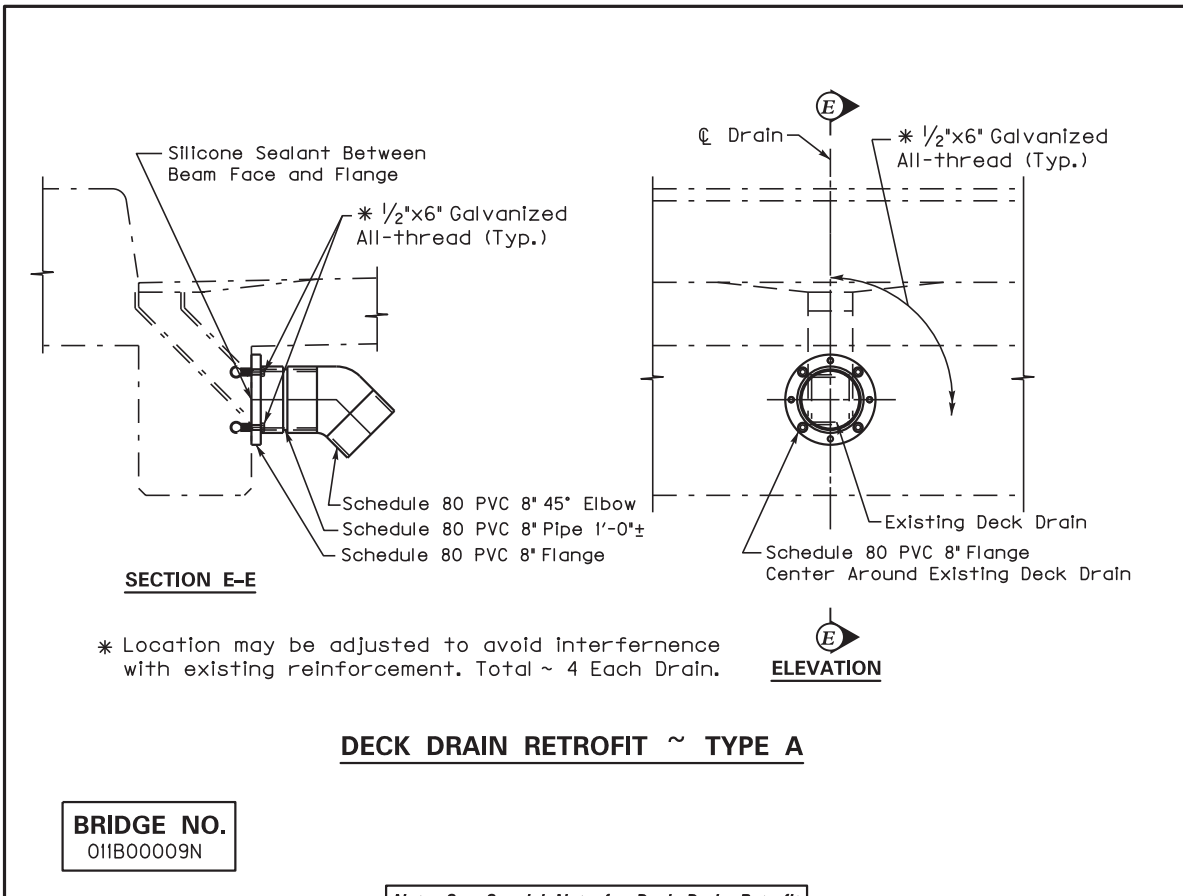
Note: See Special Note for Replacing Expansion Dams and/or Installing Armored Edges for Concrete on Bridges

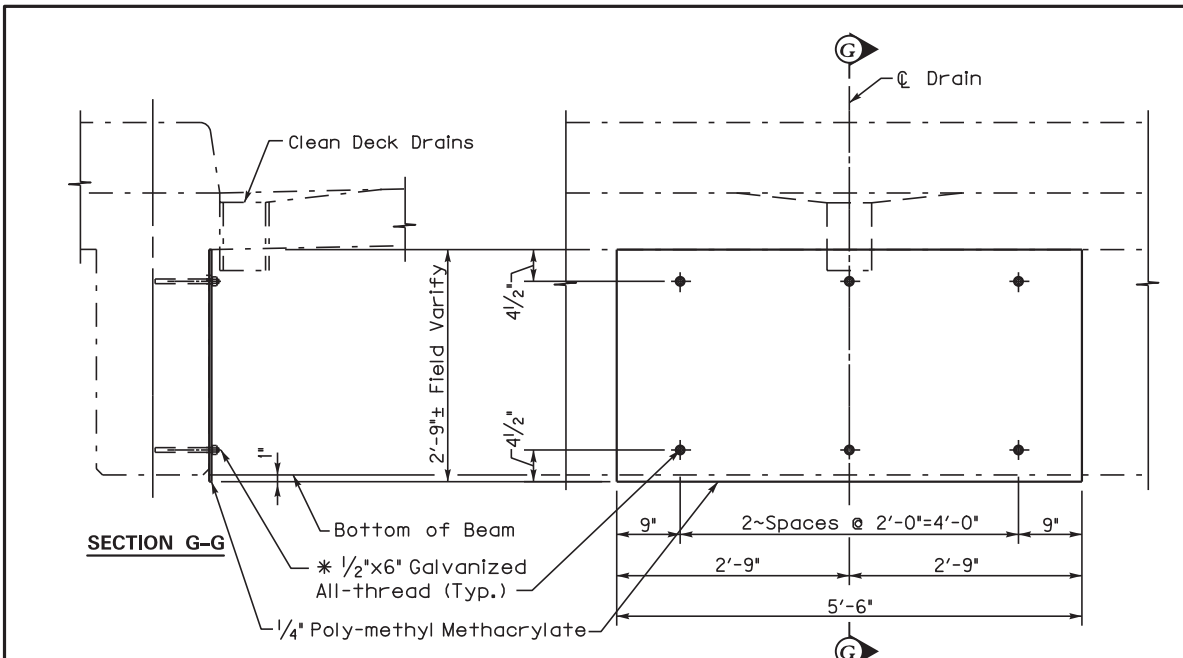
BRIDGE NO.
 120B00005N

121GR19M002

Commonwealth of Kentucky
 DEPARTMENT OF HIGHWAYS
COUNTY
VARIOUS - WOODFORD
 120B00005N ~ EXPANSION DAM REPLACE 1"

PREPARED BY
 Division of Maintenance
 Bridge Preservation Branch



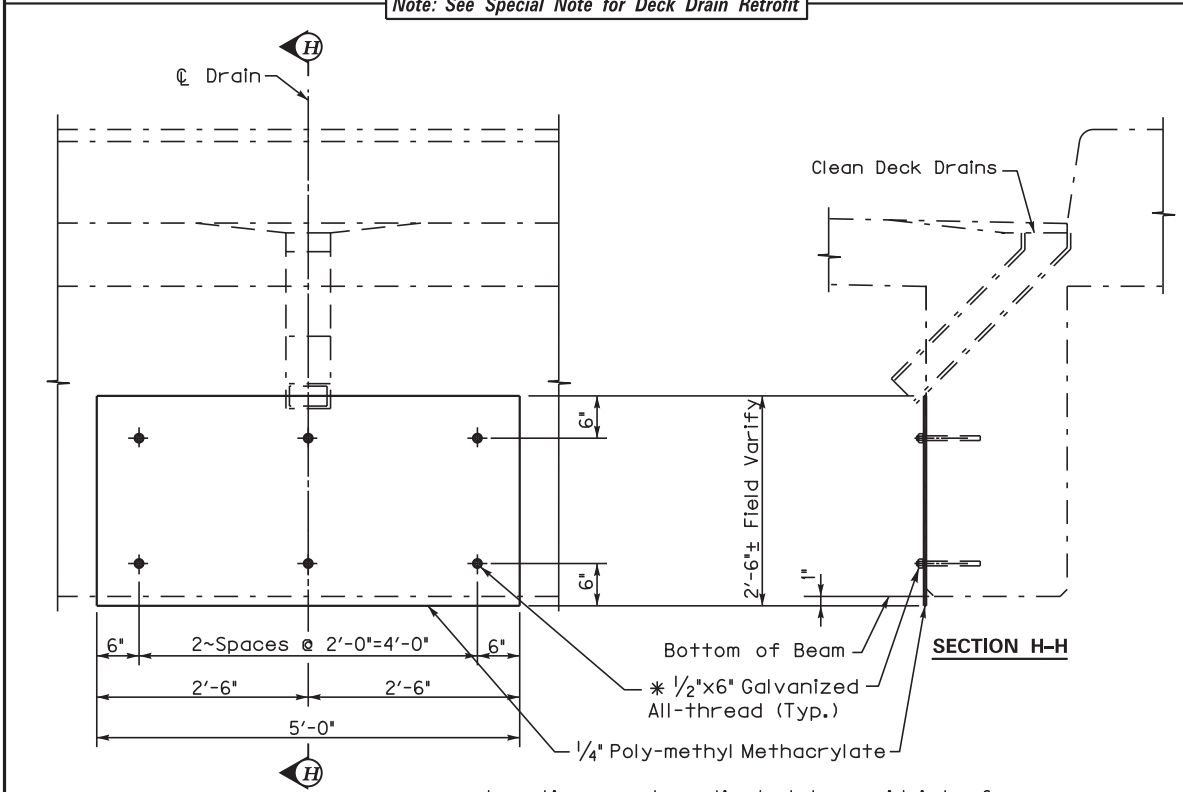


* Location may be adjusted to avoid interference with existing reinforcement. Total ~ 6 Each Drain. **ELEVATION**

BRIDGE NO.
057B00009N

DECK DRAIN RETROFIT

Note: See Special Note for Deck Drain Retrofit



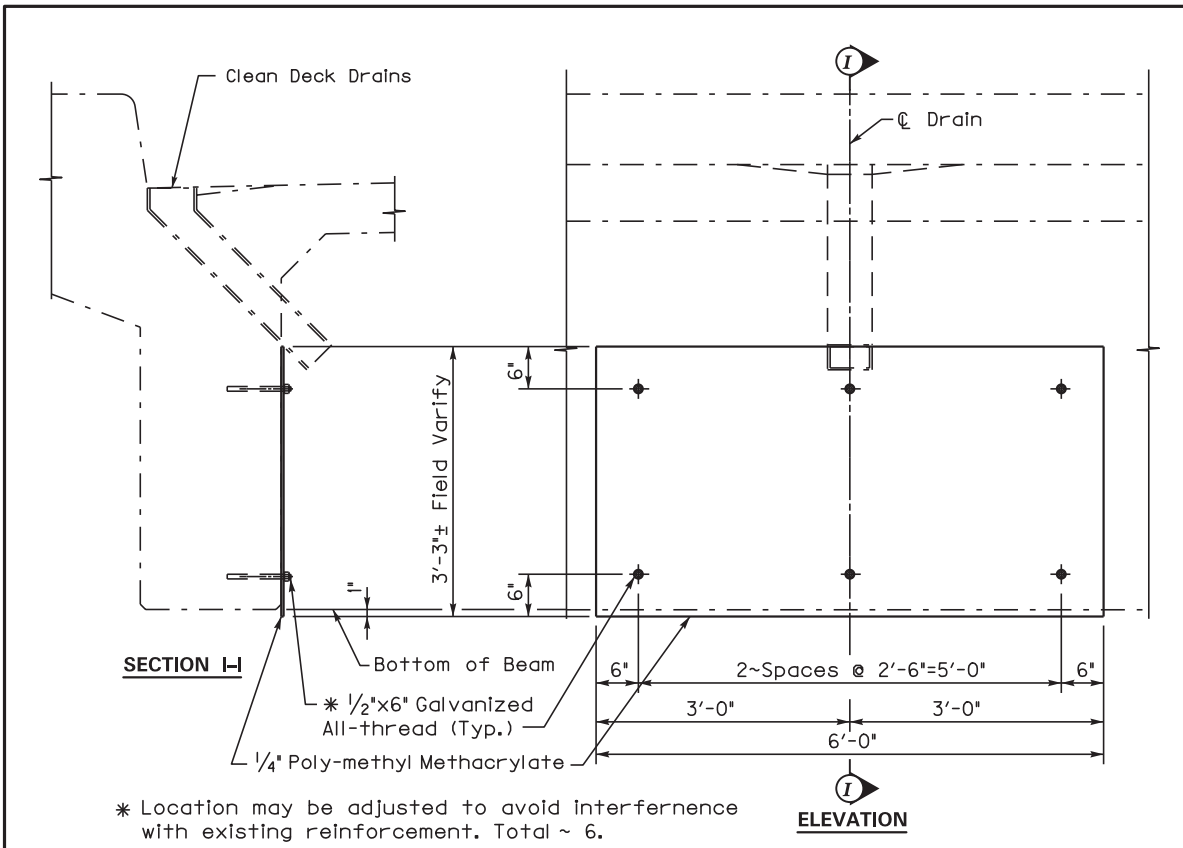
* Location may be adjusted to avoid interference with existing reinforcement. Total ~ 6 Each Drain. **ELEVATION**

DECK DRAIN RETROFIT

BRIDGE NO.
084B00021N

121GR19M002

Commonwealth of Kentucky DEPARTMENT OF HIGHWAYS
COUNTY JESSAMINE-MERCER
DECK DRAIN RETROFIT
PREPARED BY Division of Maintenance Bridge Preservation Branch

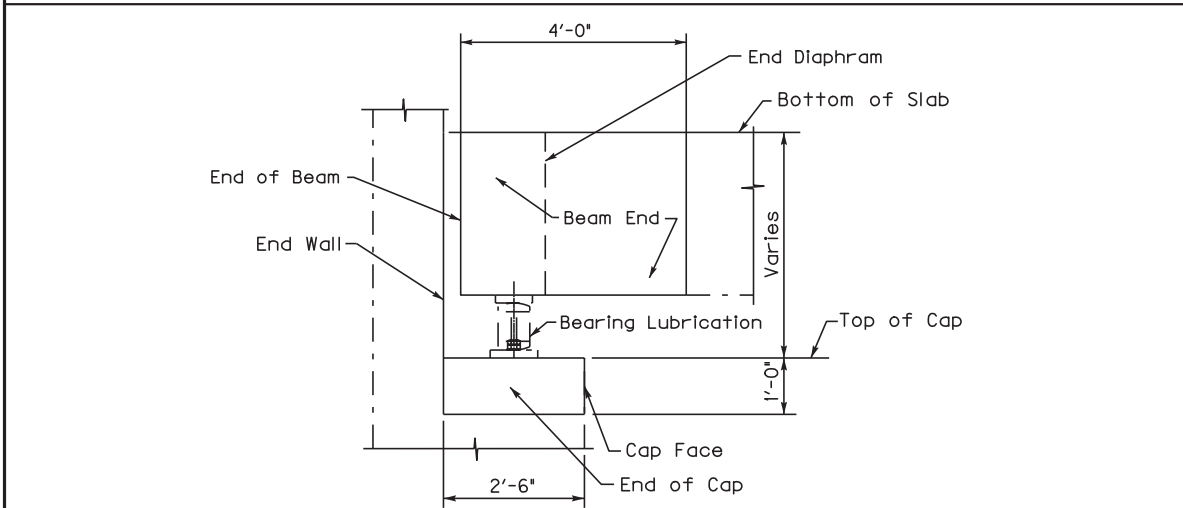


* Location may be adjusted to avoid interference with existing reinforcement. Total ~ 6.

DECK DRAIN RETROFIT

BRIDGE NO.
 120B00005N

Note: See Special Note for Deck Drain Retrofit



Front Face of End Wall, Top and Face of Cap the Entire Length of Cap including Cap Ends, Beam Ends and End Diaphragms shall have debris removed pressure washed and have concrete coating applied as specified within the limits shown.

SECTION THROUGH ABUTMENT AND BEAM END

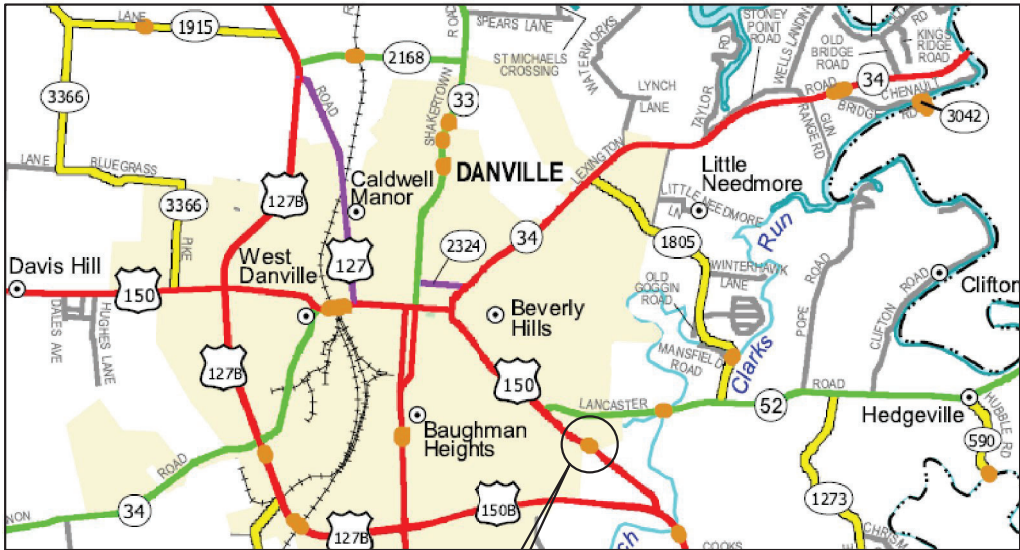
BRIDGE CLEANING AND PREVENTIVE MAINTENANCE

BRIDGE NO.
 120B00005N

Note: See Special Note for Bridge Cleaning and Preventive Maintenance

121GR19M002

Commonwealth of Kentucky DEPARTMENT OF HIGHWAYS
COUNTY WOODFORD
PREPARED BY MISC. DETAILS
Division of Maintenance Bridge Preservation Branch



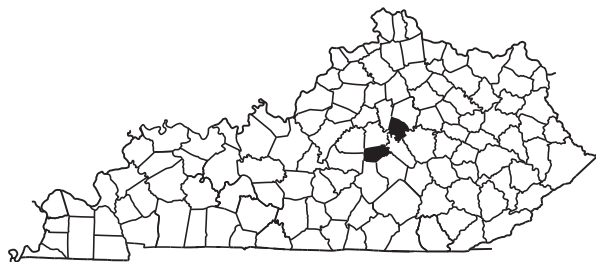
FE02 011 0150 B00009N
US 150 over Clarks Run

LOCATION MAP - BOYLE COUNTY

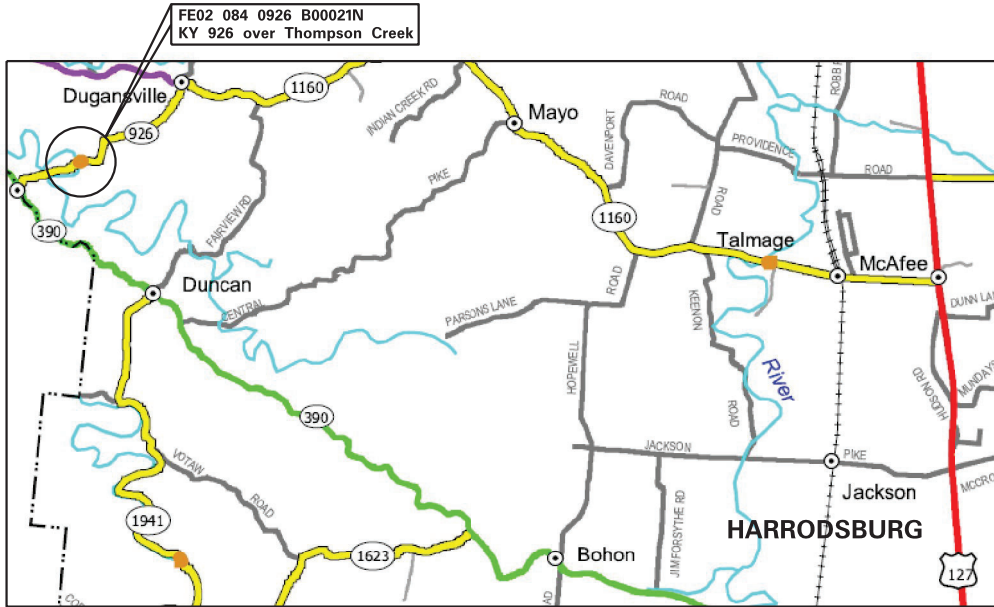


FE02 057 0169 B00009N
KY 169 over Hickman Creek

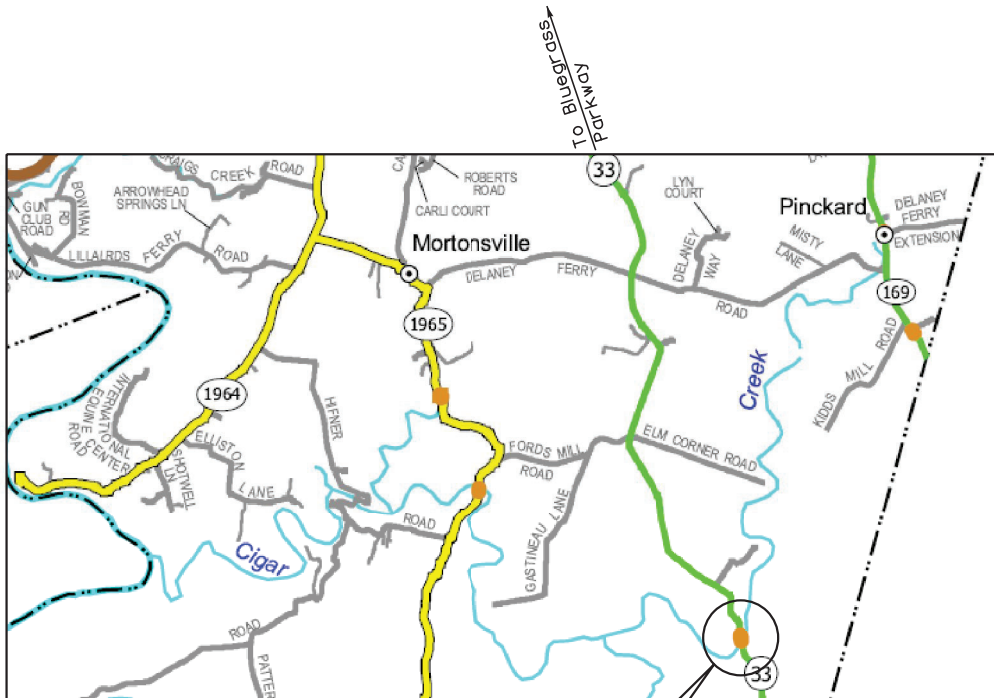
LOCATION MAP - JESSAMINE COUNTY



121GR19M002
Commonwealth of Kentucky DEPARTMENT OF HIGHWAYS
COUNTY BOYLE-JESSAMINE
LOCATION MAP
PREPARED BY Division of Maintenance Bridge Preservation Branch

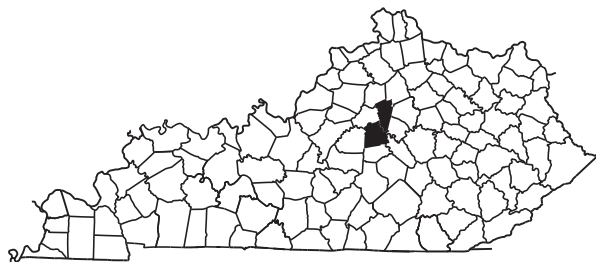


LOCATION MAP - MERCER COUNTY



FE02 120 0033 B00005N
 KY 33 over Clear Creek

LOCATION MAP - WOODFORD COUNTY



121GR19M002
Commonwealth of Kentucky DEPARTMENT OF HIGHWAYS
COUNTY MERCER-WOODFORD
<i>LOCATION MAP</i>
PREPARED BY Division of Maintenance Bridge Preservation Branch



**COMMONWEALTH OF KENTUCKY
TRANSPORTATION CABINET**
Frankfort, Kentucky 40622
www.transportation.ky.gov/

Matthew G. Bevin
Governor

Greg Thomas
Secretary

Asbestos Inspection Report

To: Tom Mathews

District: Central Office

Date: December 18, 2018

Conducted By: O'Dail Lawson

Report Prepared By: O'Dail Lawson

Project and Structure Identification

Project Number: Various CID 192960

Structure ID: Boyle 011B00009N

Structure Location: US 150 over Clarks Run

Sample Description: The samples collected were negative for asbestos.

Inspection Date: December 13, 2018

Results and Recommendations

The results of the samples collected were negative for the presence of asbestos above 1%.
No abatement is required at this time.

It is recommended that this report accompany the 10-Day Notice of Intent for Demolition ([DEP7036 Form](#)) which is to be submitted to the Kentucky Division of Air Quality prior to abatement, demolition, or renovation of any building or structure in the Commonwealth.





Matthew G. Bevin
Governor

COMMONWEALTH OF KENTUCKY
TRANSPORTATION CABINET
Frankfort, Kentucky 40622
www.transportation.ky.gov/

Greg Thomas
Secretary

Asbestos Inspection Report

To: Tom Mathews

District: Central Office

Date: January 3, 2019

Conducted By: O'Dail Lawson

Report Prepared By: O'Dail Lawson

Project and Structure Identification

Project Number: CID 192960

Structure ID: Jessamine 057B00009N

Structure Location: KY-0169 (Union Mill Road) over Hickman Creek

Sample Description: The samples collected were negative for asbestos.

Inspection Date: December 17, 2018

Results and Recommendations

The results of the samples collected were negative for the presence of asbestos above 1%.
No abatement is required at this time.

It is recommended that this report accompany the 10-Day Notice of Intent for Demolition ([DEP7036 Form](#)) which is to be submitted to the Kentucky Division of Air Quality prior to abatement, demolition, or renovation of any building or structure in the Commonwealth.



Chain of Custody Record

Kentucky Transportation Cabinet

200 Mero Street, 5th Floor West
Frankfort, Kentucky 40622
(502) 564-7250 fax (502) 564-5655



O'Dail Lawson odail.lawson@ky.gov KYTC
 Address: 200 Mero Street Frankfort KY
 Phone: 502-564-7250 Fax: 502-564-5655
 PO#:
 Client Information KY TRANS CABINET
 Results Code: ND = None Detected
 FTD = Filter Tampering or Damaged
 N/A = Not Applicable
 Project or Subject Reference **Jessamine 057B000AN**
 KY-0169 over Hickman Creek.
 (unions mill ponds)
 Samplers (signature): *[Signature]*

Sample ID	Sample Description	Collected		Analysis Requested	Grab/Comp.	No. of Cont.	Cont. Type	Preservative
		Date	Time					
9-1	Joint filler (patch)	12/17/18	12:20	Asbestos bulk.	Grey	1	N/A	N/A
9-2	11" (original)	↓	↓		↓	↓		
9-3	1 rowal on sealant	↓	↓		yellow			

Relinquished By: _____ Date/Time: _____
 Received By: *[Signature]* Date/Time: 12/18/18
 Relinquished By: _____ Date/Time: _____
 Received at Lab By: _____ Date/Time: _____



Matthew G. Bevin
Governor

COMMONWEALTH OF KENTUCKY
TRANSPORTATION CABINET
Frankfort, Kentucky 40622
www.transportation.ky.gov/

Greg Thomas
Secretary

Asbestos Inspection Report

To: Tom Mathews

District: Central Office

Date: January 3, 2019

Conducted By: O'Dail Lawson

Report Prepared By: O'Dail Lawson

Project and Structure Identification

Project Number: CID 192960

Structure ID: Mercer 084B00021N

Structure Location: KY-926 (Bethel Road) over Thompson Creek

Sample Description: There were no suspect materials present on this structure.

Inspection Date: December 17, 2018

Results and Recommendations

The results of the samples collected were negative for the presence of asbestos above 1%.
No abatement is required at this time.

It is recommended that this report accompany the 10-Day Notice of Intent for Demolition ([DEP7036 Form](#)) which is to be submitted to the Kentucky Division of Air Quality prior to abatement, demolition, or renovation of any building or structure in the Commonwealth.





Matthew G. Bevin
Governor

COMMONWEALTH OF KENTUCKY
TRANSPORTATION CABINET
Frankfort, Kentucky 40622
www.transportation.ky.gov/

Greg Thomas
Secretary

Asbestos Inspection Report

To: Tom Mathews

District: Central Office

Date: January 3, 2019

Conducted By: O'Dail Lawson

Report Prepared By: O'Dail Lawson

Project and Structure Identification

Project Number: CID 192960

Structure ID: Woodford 120B00005N

Structure Location: KY-33 (Troy Pike) over Clear Creek

Sample Description: The samples collected were negative for asbestos.

Inspection Date: December 17, 2018

Results and Recommendations

The results of the samples collected were negative for the presence of asbestos above 1%.
No abatement is required at this time.

It is recommended that this report accompany the 10-Day Notice of Intent for Demolition ([DEP7036 Form](#)) which is to be submitted to the Kentucky Division of Air Quality prior to abatement, demolition, or renovation of any building or structure in the Commonwealth.



MRS, INC. *MRS, Inc. Analytical Laboratory Division*

332 West Broadway/ Suite # 902
Louisville, Kentucky - 40202 - 2133

Phone # : (502) 495-1212
E-Mail Address: CEOMRSInc@AOL.Com

Client: <u>KY Transportation Cabinet</u>	Project No: <u># 12315 B</u>
Address: <u>200 Mero Street</u>	Sample ID: <u># 5 - 1</u>
<u>Frankfort, KY</u>	Sampled: <u>17-Dec-18</u>
<u>40601</u>	Received: <u>18-Dec-18</u>
Attention : O'Dail Lawson	Analyzed: <u>31-Dec-18 - Point Count -</u>

Bulk Sample Analysis

Sampled by: O'Dail Lawson

Facility/Location: Woodford County - Item # 120B00005N

Field Description: Joint Compound

Laboratory Description:

Thick Black Material

Asbestos Materials:

Chrysotile = 2/400 = 0.50 % (< 1 %) Sample Is Negative

Non-asbestos Fibrous Materials & Matrix Materials:

<u>Cellulose</u>	<u>0.25 %</u>
<u>Binders</u>	<u>99.25 %</u>

Remarks: The sample was analyzed for asbestos content following the EPA Methodology (600/R-93/116). The test relates only to the items tested. This report does not represent endorsement by NVLAP or any agency of the U.S. Government.

Analyst: Winterford Mensah **Reviewed By:** 
Signature

ENVIRONMENTAL TRAINING CONCEPTS, INC
P.O. Box 99603 Louisville, KY 40269
(502)640-2951

Certification Number: ETC-AIR-060518-00303


O'Dail Lawson

has on 06-05-2018, attended and successfully completed the requirements and passed the examination with a score of 70% of better on the entitled course.

ASBESTOS INSPECTOR REFRESHER

Training was in accordance with 40 CFR Part 763 (AHERA) approved by the Commonwealth of Kentucky, the Indiana Department of Environmental Management, Tennessee Department of Environment & Conservation and the Arkansas Department of Environmental Quality. The above student received requisite training for Asbestos Accreditation under Title II of the Toxic Substance Act (TSCA).

Conducted at: 2668 Technology Drive, Louisville, KY


Name - Training Manager

Expiration Date: 06-05-2019


Name - Instructor

MATERIAL SUMMARY

CONTRACT ID: 192960

121GR19M002 - FE02

MB01101501801

BOYLE COUNTY 011B000009N WILDERNESS ROAD MP 15.50
 US 150 OVER CLARKS RUN BRIDGE DECK RESTORATION & WATERPROOFING.

Project Line No	Bid Code	DESCRIPTION	Quantity	Unit
0005	02650	MAINTAIN & CONTROL TRAFFIC - - 011B00009N	1.00	LS
0010	02569	DEMOBILIZATION	1.00	LS
0015	02562	TEMPORARY SIGNS - - 011B00009N	145.00	SQFT
0020	02653	LANE CLOSURE - - 011B00009N	2.00	EACH
0025	04933	TEMP SIGNAL 2 PHASE - - 011B00009N	1.00	EACH
0030	03299	ARMORED EDGE FOR CONCRETE - - 011B00009N	73.50	LF
0035	03304	BRIDGE OVERLAY APPROACH PAVEMENT - - 011B00009N	289.00	SQYD
0040	06514	PAVE STRIPING-PERM PAINT-4 IN - - 011B00009N	928.00	LF
0045	06549	PAVE STRIPING-TEMP REM TAPE-B - - 011B00009N	1,000.00	LF
0050	06550	PAVE STRIPING-TEMP REM TAPE-W - - 011B00009N	2,000.00	LF
0055	06551	PAVE STRIPING-TEMP REM TAPE-Y - - 011B00009N	2,000.00	LF
0060	08150	STEEL REINFORCEMENT - - 011B00009N	960.00	LB
0065	08504	EPOXY SAND SLURRY - - 011B00009N	114.90	SQYD
0070	08534	CONCRETE OVERLAY-LATEX - - 011B00009N	15.90	CUYD
0075	03300	ELIMINATE TRANSVERSE JOINT - - 011B00009N	120.90	LF
0080	08510	REM EPOXY BIT FOREIGN OVERLAY - - 011B00009N	381.00	SQYD
0085	08526	CONC CLASS M FULL DEPTH PATCH - - 011B00009N	4.00	CUYD
0090	22146EN	CONCRETE PATCHING REPAIR - - 011B00009N TYPE A	140.00	SQFT
0095	24094EC	PARTIAL DEPTH PATCHING - - 011B00009N	4.00	CUYD
0100	24692EC	DECK DRAIN RETROFIT - - 011B00009N TYPE A	4.00	EACH
0105	08549	BLAST CLEANING - - 011B00009N	496.00	SQYD
0110	24692EC	DECK DRAIN RETROFIT - - 011B00009N TYPE B	12.00	EACH
0115	22146EN	CONCRETE PATCHING REPAIR - - 011B00009N TYPE B	95.00	SQFT

MATERIAL SUMMARY

CONTRACT ID: 192960

121GR19M002 - FE02

MB05701691801

JESSAMINE COUNTY 057B000009N UNION MILL ROAD MP 07.02
 KY 169 OVER HICKMAN CREEK BRIDGE DECK RESTORATION & WATERPROOFING.

Project Line No	Bid Code	DESCRIPTION	Quantity	Unit
0120	02562	TEMPORARY SIGNS - - 057B00009N	145.00	SQFT
0125	02650	MAINTAIN & CONTROL TRAFFIC - - 057B00009N	1.00	LS
0130	02653	LANE CLOSURE - - 057B00009N	2.00	EACH
0135	03299	ARMORED EDGE FOR CONCRETE - - 057B00009N	44.00	LF
0140	03304	BRIDGE OVERLAY APPROACH PAVEMENT - - 057B00009N	245.00	SQYD
0145	04933	TEMP SIGNAL 2 PHASE - - 057B00009N	1.00	EACH
0150	06514	PAVE STRIPING-PERM PAINT-4 IN - - 057B00009N	1,008.00	LF
0155	06549	PAVE STRIPING-TEMP REM TAPE-B - - 057B00009N	1,000.00	LF
0160	06550	PAVE STRIPING-TEMP REM TAPE-W - - 057B00009N	2,000.00	LF
0165	06551	PAVE STRIPING-TEMP REM TAPE-Y - - 057B00009N	2,000.00	LF
0170	08150	STEEL REINFORCEMENT - - 057B00009N	660.00	LB
0175	08504	EPOXY SAND SLURRY - - 057B00009N	187.20	SQYD
0180	08510	REM EPOXY BIT FOREIGN OVERLAY - - 057B00009N	372.00	SQYD
0185	08526	CONC CLASS M FULL DEPTH PATCH - - 057B00009N	4.00	CUYD
0190	08534	CONCRETE OVERLAY-LATEX - - 057B00009N	15.50	CUYD
0195	08549	BLAST CLEANING - - 057B00009N	559.00	SQYD
0200	24094EC	PARTIAL DEPTH PATCHING - - 057B00009N	4.00	CUYD
0205	24692EC	DECK DRAIN RETROFIT - - 057B00009N	8.00	EACH
0210	02569	DEMOBILIZATION	1.00	LS
0215	03300	ELIMINATE TRANSVERSE JOINT - - 057B00009N	82.00	LF

MATERIAL SUMMARY

CONTRACT ID: 192960

121GR19M002 - FE02

MB08409261801

MERCER COUNTY 084B000021N BETHEL ROAD MP 00.67
 KY 926 OVER THOMPSON CREEK BRIDGE DECK RESTORATION & WATERPROOFING.

Project Line No	Bid Code	DESCRIPTION	Quantity	Unit
0220	02562	TEMPORARY SIGNS - - 084B00021N	145.00	SQFT
0225	02650	MAINTAIN & CONTROL TRAFFIC - - 084B00021N	1.00	LS
0230	02653	LANE CLOSURE - - 084B00021N	2.00	EACH
0235	03299	ARMORED EDGE FOR CONCRETE - - 084B00021N	44.00	LF
0240	03304	BRIDGE OVERLAY APPROACH PAVEMENT - - 084B00021N	245.00	SQYD
0245	04933	TEMP SIGNAL 2 PHASE - - 084B00021N	1.00	EACH
0250	06514	PAVE STRIPING-PERM PAINT-4 IN - - 084B00021N	306.00	LF
0255	06549	PAVE STRIPING-TEMP REM TAPE-B - - 084B00021N	1,000.00	LF
0260	06550	PAVE STRIPING-TEMP REM TAPE-W - - 084B00021N	2,000.00	LF
0265	06551	PAVE STRIPING-TEMP REM TAPE-Y - - 084B00021N	2,000.00	LF
0270	08150	STEEL REINFORCEMENT - - 084B00021N	270.00	LB
0275	08504	EPOXY SAND SLURRY - - 084B00021N	46.10	SQYD
0280	08510	REM EPOXY BIT FOREIGN OVERLAY - - 084B00021N	130.00	SQYD
0285	08526	CONC CLASS M FULL DEPTH PATCH - - 084B00021N	2.00	CUYD
0290	08534	CONCRETE OVERLAY-LATEX - - 084B00021N	5.40	CUYD
0295	08549	BLAST CLEANING - - 084B00021N	176.00	SQYD
0300	24094EC	PARTIAL DEPTH PATCHING - - 084B00021N	2.00	CUYD
0305	24692EC	DECK DRAIN RETROFIT - - 084B00021N	3.00	EACH
0310	02569	DEMOBILIZATION	1.00	LS

MATERIAL SUMMARY

CONTRACT ID: 192960

121GR19M002 - FE02

MB12000331801

WOODFORD COUNTY 084B00005N TROY PIKE MP 04.32
 KY 33 OVER CLEAR CREEK BRIDGE DECK RESTORATION & WATERPROOFING.

Project Line No	Bid Code	DESCRIPTION	Quantity	Unit
0315	02562	TEMPORARY SIGNS - - 120B00005N	145.00	SQFT
0320	02650	MAINTAIN & CONTROL TRAFFIC - - 120B00005N	1.00	LS
0325	02653	LANE CLOSURE - - 120B00005N	2.00	EACH
0330	03293	EXPAN JOINT REPLACE 1 IN - - 120B00005N	36.80	LF
0335	03298	EXPAN JOINT REPLACE 4 IN - - 120B00005N	36.80	LF
0340	03299	ARMORED EDGE FOR CONCRETE - - 120B00005N	73.50	LF
0345	03304	BRIDGE OVERLAY APPROACH PAVEMENT - - 120B00005N	245.00	SQYD
0350	04933	TEMP SIGNAL 2 PHASE - - 120B00005N	1.00	EACH
0355	06514	PAVE STRIPING-PERM PAINT-4 IN - - 120B00005N	1,444.00	LF
0360	06549	PAVE STRIPING-TEMP REM TAPE-B - - 120B00005N	1,000.00	LF
0365	06550	PAVE STRIPING-TEMP REM TAPE-W - - 120B00005N	2,000.00	LF
0370	06551	PAVE STRIPING-TEMP REM TAPE-Y - - 120B00005N	2,000.00	LF
0375	08150	STEEL REINFORCEMENT - - 120B00005N	270.00	LB
0380	08504	EPOXY SAND SLURRY - - 120B00005N	227.20	SQYD
0385	08510	REM EPOXY BIT FOREIGN OVERLAY - - 120B00005N	754.00	SQYD
0390	08526	CONC CLASS M FULL DEPTH PATCH - - 120B00005N	8.00	CUYD
0395	08534	CONCRETE OVERLAY-LATEX - - 120B00005N	31.40	CUYD
0400	08549	BLAST CLEANING - - 120B00005N	981.00	SQYD
0405	24094EC	PARTIAL DEPTH PATCHING - - 120B00005N	8.00	CUYD
0410	24692EC	DECK DRAIN RETROFIT - - 120B00005N	32.00	EACH
0415	24981EC	BRIDGE CLEANING - - 120B00005N	1.00	LS
0420	24982EC	CONCRETE COATING - - 120B00005N	1.00	LS
0425	24983EC	BEARING LUBRICATION - - 120B00005N	8.00	EACH
0430	02569	DEMOBILIZATION	1.00	LS

PART II
SPECIFICATIONS AND STANDARD DRAWINGS

SPECIFICATIONS REFERENCE

Any reference in the plans or proposal to previous editions of the *Standard Specifications for Road and Bridge Construction* and *Standard Drawings* are superseded by *Standard Specifications for Road and Bridge Construction, Edition of 2012* and *Standard Drawings, Edition of 2016*.

SUPPLEMENTAL SPECIFICATIONS

The contractor shall use the Supplemental Specifications that are effective at the time of letting.
The Supplemental Specifications can be found at the following link:

<http://transportation.ky.gov/Construction/Pages/Kentucky-Standard-Specifications.aspx>

STANDARD DRAWINGS THAT APPLY

TRAFFIC
~ TEMPORARY ~
TRAFFIC CONTROL

LANE CLOSURE TWO LANE HIGHWAY
LANE CLOSURE USING TRAFFIC SIGNALS

TTC-110 C.E.
TTC-115 C.E.

BRIDGES
MISCELLANEOUS STANDARDS

BRIDGE RESTORATION AND WATERPROFING
WITH CONCRETE OVERLAYS

BGX-009 C.E.

PART III

EMPLOYMENT, WAGE AND RECORD REQUIREMENTS

**TRANSPORTATION CABINET
DEPARTMENT OF HIGHWAYS**

**LABOR AND WAGE REQUIREMENTS
APPLICABLE TO OTHER THAN FEDERAL-AID SYSTEM PROJECTS**

- I. Application
- II. Nondiscrimination of Employees (KRS 344)

I. APPLICATION

1. These contract provisions shall apply to all work performed on the contract by the contractor with his own organization and with the assistance of workmen under his immediate superintendence and to all work performed on the contract by piecework, station work or by subcontract. The contractor's organization shall be construed to include only workmen employed and paid directly by the contractor and equipment owned or rented by him, with or without operators.

2. The contractor shall insert in each of his subcontracts all of the stipulations contained in these Required Provisions and such other stipulations as may be required.

3. A breach of any of the stipulations contained in these Required Provisions may be grounds for termination of the contract.

3. If the contractor is in control of apprenticeship or other training or retraining, including on-the-job training programs, he shall not discriminate against an individual because of his race, color, religion, national origin, sex, disability or age forty (40) and over, in admission to, or employment in any program established to provide apprenticeship or other training.

4. The contractor will send to each labor union or representative of workers with which he has a collective bargaining agreement or other contract or understanding, a notice to be provided advising the said labor union or workers' representative of the contractor's commitments under this section, and shall post copies of the notice in conspicuous places available to employees and applicants for employment. The contractor will take such action with respect to any subcontract or purchase order as the administrating agency may direct as a means of enforcing such provisions, including sanctions for non-compliance.

Revised: January 25, 2017

II. NONDISCRIMINATION OF EMPLOYEES

**AN ACT OF THE KENTUCKY
GENERAL ASSEMBLY TO PREVENT
DISCRIMINATION IN EMPLOYMENT
KRS CHAPTER 344
EFFECTIVE JUNE 16, 1972**

The contract on this project, in accordance with KRS Chapter 344, provides that during the performance of this contract, the contractor agrees as follows:

1. The contractor shall not fail or refuse to hire, or shall not discharge any individual, or otherwise discriminate against an individual with respect to his compensation, terms, conditions, or privileges of employment, because of such individual's race, color, religion, national origin, sex, disability or age (forty and above); or limit, segregate, or classify his employees in any way which would deprive or tend to deprive an individual of employment opportunities or otherwise adversely affect his status as an employee, because of such individual's race, color, religion, national origin, sex, disability or age forty (40) and over. The contractor agrees to post in conspicuous places, available to employees and applicants for employment, notices to be provided setting forth the provisions of this nondiscrimination clause.

2. The contractor shall not print or publish or cause to be printed or published a notice or advertisement relating to employment by such an employer or membership in or any classification or referral for employment by the employment agency, indicating any preference, limitation, specification, or discrimination, based on race, color, religion, national origin, sex, or age forty (40) and over, or because the person is a qualified individual with a disability, except that such a notice or advertisement may indicate a preference, limitation, or specification based on religion, national origin, sex, or age forty (40) and over, or because the person is a qualified individual with a disability, when religion, national origin, sex, or age forty (40) and over, or because the person is a qualified individual with a disability, is a bona fide occupational qualification for employment.

EXECUTIVE BRANCH CODE OF ETHICS

In the 1992 regular legislative session, the General Assembly passed and Governor Brereton Jones signed Senate Bill 63 (codified as KRS 11A), the Executive Branch Code of Ethics, which states, in part:

KRS 11A.040 (7) provides:

No present or former public servant shall, within six (6) months following termination of his office or employment, accept employment, compensation, or other economic benefit from any person or business that contracts or does business with, or is regulated by, the state in matters in which he was directly involved during the last thirty-six (36) months of his tenure. This provision shall not prohibit an individual from returning to the same business, firm, occupation, or profession in which he was involved prior to taking office or beginning his term of employment, or for which he received, prior to his state employment, a professional degree or license, provided that, for a period of six (6) months, he personally refrains from working on any matter in which he was directly involved during the last thirty-six (36) months of his tenure in state government. This subsection shall not prohibit the performance of ministerial functions, including but not limited to filing tax returns, filing applications for permits or licenses, or filing incorporation papers, nor shall it prohibit the former officer or public servant from receiving public funds disbursed through entitlement programs.

KRS 11A.040 (9) states:

A former public servant shall not represent a person or business before a state agency in a matter in which the former public servant was directly involved during the last thirty-six (36) months of his tenure, for a period of one (1) year after the latter of:

- a) The date of leaving office or termination of employment; or
- b) The date the term of office expires to which the public servant was elected.

This law is intended to promote public confidence in the integrity of state government and to declare as public policy the idea that state employees should view their work as a public trust and not as a way to obtain private benefits.

If you have worked for the executive branch of state government within the past six months, you may be subject to the law's prohibitions. The law's applicability may be different if you hold elected office or are contemplating representation of another before a state agency.

Also, if you are affiliated with a firm which does business with the state and which employs former state executive-branch employees, you should be aware that the law may apply to them.

In case of doubt, the law permits you to request an advisory opinion from the Executive Branch Ethics Commission, 3 Fountain Place, Frankfort, Kentucky 40601; telephone (502) 564-7954.

Revised: January 27, 2017

Kentucky Equal Employment Opportunity Act of 1978

The requirements of the Kentucky Equal Employment Opportunity Act of 1978 (KRS 45.560-45.640) shall apply to this Contract. The apparent low Bidder will be required to submit EEO forms to the Division of Construction Procurement, which will then forward to the Finance and Administration Cabinet for review and approval. No award will become effective until all forms are submitted and EEO/CC has certified compliance. The required EEO forms are as follows:

- EEO-1: Employer Information Report
- Affidavit of Intent to Comply
- Employee Data Sheet
- Subcontractor Report

These forms are available on the Finance and Administration's web page under ***Vendor Information, Standard Attachments and General Terms*** at the following address:
<https://www.eProcurement.ky.gov>.

Bidders currently certified as being in compliance by the Finance and Administration Cabinet may submit a copy of their approval letter in lieu of the referenced EEO forms.

For questions or assistance please contact the Finance and Administration Cabinet by email at **finance.contractcompliance@ky.gov** or by phone at 502-564-2874.

EMPLOYEE RIGHTS UNDER THE FAIR LABOR STANDARDS ACT

THE UNITED STATES DEPARTMENT OF LABOR WAGE AND HOUR DIVISION

FEDERAL MINIMUM WAGE

\$7.25

 PER HOUR

BEGINNING JULY 24, 2009

OVERTIME PAY At least 1½ times your regular rate of pay for all hours worked over 40 in a workweek.

CHILD LABOR An employee must be at least **16** years old to work in most non-farm jobs and at least **18** to work in non-farm jobs declared hazardous by the Secretary of Labor.

Youths **14** and **15** years old may work outside school hours in various non-manufacturing, non-mining, non-hazardous jobs under the following conditions:

No more than

- **3** hours on a school day or **18** hours in a school week;
- **8** hours on a non-school day or **40** hours in a non-school week.

Also, work may not begin before **7 a.m.** or end after **7 p.m.**, except from June 1 through Labor Day, when evening hours are extended to **9 p.m.** Different rules apply in agricultural employment.

TIP CREDIT Employers of “tipped employees” must pay a cash wage of at least \$2.13 per hour if they claim a tip credit against their minimum wage obligation. If an employee’s tips combined with the employer’s cash wage of at least \$2.13 per hour do not equal the minimum hourly wage, the employer must make up the difference. Certain other conditions must also be met.

ENFORCEMENT The Department of Labor may recover back wages either administratively or through court action, for the employees that have been underpaid in violation of the law. Violations may result in civil or criminal action.

Employers may be assessed civil money penalties of up to \$1,100 for each willful or repeated violation of the minimum wage or overtime pay provisions of the law and up to \$11,000 for each employee who is the subject of a violation of the Act’s child labor provisions. In addition, a civil money penalty of up to \$50,000 may be assessed for each child labor violation that causes the death or serious injury of any minor employee, and such assessments may be doubled, up to \$100,000, when the violations are determined to be willful or repeated. The law also prohibits discriminating against or discharging workers who file a complaint or participate in any proceeding under the Act.

ADDITIONAL INFORMATION

- Certain occupations and establishments are exempt from the minimum wage and/or overtime pay provisions.
- Special provisions apply to workers in American Samoa and the Commonwealth of the Northern Mariana Islands.
- Some state laws provide greater employee protections; employers must comply with both.
- The law requires employers to display this poster where employees can readily see it.
- Employees under 20 years of age may be paid \$4.25 per hour during their first 90 consecutive calendar days of employment with an employer.
- Certain full-time students, student learners, apprentices, and workers with disabilities may be paid less than the minimum wage under special certificates issued by the Department of Labor.

For additional information:



1-866-4-USWAGE

(1-866-487-9243)

TTY: 1-877-889-5627



WWW.WAGEHOUR.DOL.GOV

PART IV
INSURANCE

INSURANCE

The Contractor shall procure and maintain the following insurance in addition to the insurance required by law:

- 1) Commercial General Liability-Occurrence form – not less than \$2,000,000 General aggregate, \$2,000,000 Products & Completed Aggregate, \$1,000,000 Personal & Advertising, \$1,000,000 each occurrence.
- 2) Automobile Liability- \$1,000,000 per accident
- 3) Employers Liability:
 - a) \$100,000 Each Accident Bodily Injury
 - b) \$500,000 Policy limit Bodily Injury by Disease
 - c) \$100,000 Each Employee Bodily Injury by Disease
- 4) The insurance required above must be evidenced by a Certificate of Insurance and this Certificate of Insurance must contain one of the following statements:
 - a) "policy contains no deductible clauses."
 - b) "policy contains _____ (amount) deductible property damage clause but company will pay claim and collect the deductible from the insured."
- 5) KENTUCKY WORKMEN'S COMPENSATION INSURANCE. The contractor shall furnish evidence of coverage of all his employees or give evidence of self-insurance by submitting a copy of a certificate issued by the Workmen's Compensation Board.

The cost of insurance is incidental to all contract items. All subcontractors must meet the same minimum insurance requirements.

PART V
BID ITEMS

PROPOSAL BID ITEMS

192960

Page 1 of 4

Report Date 12/26/18

Section: 0001 - BRIDGES

LINE	BID CODE	ALT	DESCRIPTION	QUANTITY	UNIT	UNIT PRIC	FP	AMOUNT
0010	02562		TEMPORARY SIGNS - 011B00009N	145.00	SQFT		\$	
0020	02650		MAINTAIN & CONTROL TRAFFIC - 011B00009N	1.00	LS		\$	
0030	02653		LANE CLOSURE - 011B00009N	2.00	EACH		\$	
0040	03299		ARMORED EDGE FOR CONCRETE - 011B00009N	73.50	LF		\$	
0050	03300		ELIMINATE TRANSVERSE JOINT - 011B00009N	120.90	LF		\$	
0060	03304		BRIDGE OVERLAY APPROACH PAVEMENT - 011B00009N	289.00	SQYD		\$	
0070	04933		TEMP SIGNAL 2 PHASE - 011B00009N	1.00	EACH		\$	
0080	06514		PAVE STRIPING-PERM PAINT-4 IN - 011B00009N	928.00	LF		\$	
0090	06549		PAVE STRIPING-TEMP REM TAPE-B - 011B00009N	1,000.00	LF		\$	
0100	06550		PAVE STRIPING-TEMP REM TAPE-W - 011B00009N	2,000.00	LF		\$	
0110	06551		PAVE STRIPING-TEMP REM TAPE-Y - 011B00009N	2,000.00	LF		\$	
0120	08150		STEEL REINFORCEMENT - 011B00009N	960.00	LB		\$	
0130	08504		EPOXY SAND SLURRY - 011B00009N	114.90	SQYD		\$	
0140	08510		REM EPOXY BIT FOREIGN OVERLAY - 011B00009N	381.00	SQYD		\$	
0150	08526		CONC CLASS M FULL DEPTH PATCH - 011B00009N	4.00	CUYD		\$	
0160	08534		CONCRETE OVERLAY-LATEX - 011B00009N	15.90	CUYD		\$	
0170	08549		BLAST CLEANING - 011B00009N	496.00	SQYD		\$	
0180	22146EN		CONCRETE PATCHING REPAIR - 011B00009N TYPE A	140.00	SQFT		\$	
0190	22146EN		CONCRETE PATCHING REPAIR - 011B00009N TYPE B	95.00	SQFT		\$	
0200	24094EC		PARTIAL DEPTH PATCHING - 011B00009N	4.00	CUYD		\$	
0210	24692EC		DECK DRAIN RETROFIT - 011B00009N TYPE A	4.00	EACH		\$	
0220	24692EC		DECK DRAIN RETROFIT - 011B00009N TYPE B	12.00	EACH		\$	

Section: 0002 - BRIDGES

LINE	BID CODE	ALT	DESCRIPTION	QUANTITY	UNIT	UNIT PRIC	FP	AMOUNT
0230	02562		TEMPORARY SIGNS - 057B00009N	145.00	SQFT		\$	
0240	02650		MAINTAIN & CONTROL TRAFFIC - 057B00009N	1.00	LS		\$	

PROPOSAL BID ITEMS

192960

Page 2 of 4

Report Date 12/26/18

LINE	BID CODE	ALT	DESCRIPTION	QUANTITY	UNIT	UNIT PRIC	FP	AMOUNT
0250	02653		LANE CLOSURE - 057B00009N	2.00	EACH		\$	
0260	03299		ARMORED EDGE FOR CONCRETE - 057B00009N	44.00	LF		\$	
0270	03300		ELIMINATE TRANSVERSE JOINT - 057B00009N	82.00	LF		\$	
0280	03304		BRIDGE OVERLAY APPROACH PAVEMENT - 057B00009N	245.00	SQYD		\$	
0290	04933		TEMP SIGNAL 2 PHASE - 057B00009N	1.00	EACH		\$	
0300	06514		PAVE STRIPING-PERM PAINT-4 IN - 057B00009N	1,008.00	LF		\$	
0310	06549		PAVE STRIPING-TEMP REM TAPE-B - 057B00009N	1,000.00	LF		\$	
0320	06550		PAVE STRIPING-TEMP REM TAPE-W - 057B00009N	2,000.00	LF		\$	
0330	06551		PAVE STRIPING-TEMP REM TAPE-Y - 057B00009N	2,000.00	LF		\$	
0340	08150		STEEL REINFORCEMENT - 057B00009N	660.00	LB		\$	
0350	08504		EPOXY SAND SLURRY - 057B00009N	187.20	SQYD		\$	
0360	08510		REM EPOXY BIT FOREIGN OVERLAY - 057B00009N	372.00	SQYD		\$	
0370	08526		CONC CLASS M FULL DEPTH PATCH - 057B00009N	4.00	CUYD		\$	
0380	08534		CONCRETE OVERLAY-LATEX - 057B00009N	15.50	CUYD		\$	
0390	08549		BLAST CLEANING - 057B00009N	559.00	SQYD		\$	
0400	24094EC		PARTIAL DEPTH PATCHING - 057B00009N	4.00	CUYD		\$	
0410	24692EC		DECK DRAIN RETROFIT - 057B00009N	8.00	EACH		\$	

Section: 0003 - BRIDGES

LINE	BID CODE	ALT	DESCRIPTION	QUANTITY	UNIT	UNIT PRIC	FP	AMOUNT
0420	02562		TEMPORARY SIGNS - 084B00021N	145.00	SQFT		\$	
0430	02650		MAINTAIN & CONTROL TRAFFIC - 084B00021N	1.00	LS		\$	
0440	02653		LANE CLOSURE - 084B00021N	2.00	EACH		\$	
0450	03299		ARMORED EDGE FOR CONCRETE - 084B00021N	44.00	LF		\$	
0460	03304		BRIDGE OVERLAY APPROACH PAVEMENT - 084B00021N	245.00	SQYD		\$	
0470	04933		TEMP SIGNAL 2 PHASE - 084B00021N	1.00	EACH		\$	
0480	06514		PAVE STRIPING-PERM PAINT-4 IN - 084B00021N	306.00	LF		\$	
0490	06549		PAVE STRIPING-TEMP REM TAPE-B - 084B00021N	1,000.00	LF		\$	

PROPOSAL BID ITEMS

192960

Page 3 of 4

Report Date 12/26/18

LINE	BID CODE	ALT	DESCRIPTION	QUANTITY	UNIT	UNIT PRIC	FP	AMOUNT
0500	06550		PAVE STRIPING-TEMP REM TAPE-W - 084B00021N	2,000.00	LF		\$	
0510	06551		PAVE STRIPING-TEMP REM TAPE-Y - 084B00021N	2,000.00	LF		\$	
0520	08150		STEEL REINFORCEMENT - 084B00021N	270.00	LB		\$	
0530	08504		EPOXY SAND SLURRY - 084B00021N	46.10	SQYD		\$	
0540	08510		REM EPOXY BIT FOREIGN OVERLAY - 084B00021N	130.00	SQYD		\$	
0550	08526		CONC CLASS M FULL DEPTH PATCH - 084B00021N	2.00	CUYD		\$	
0560	08534		CONCRETE OVERLAY-LATEX - 084B00021N	5.40	CUYD		\$	
0570	08549		BLAST CLEANING - 084B00021N	176.00	SQYD		\$	
0580	24094EC		PARTIAL DEPTH PATCHING - 084B00021N	2.00	CUYD		\$	
0590	24692EC		DECK DRAIN RETROFIT - 084B00021N	3.00	EACH		\$	

Section: 0004 - BRIDGES

LINE	BID CODE	ALT	DESCRIPTION	QUANTITY	UNIT	UNIT PRIC	FP	AMOUNT
0600	02562		TEMPORARY SIGNS - 120B00005N	145.00	SQFT		\$	
0610	02650		MAINTAIN & CONTROL TRAFFIC - 120B00005N	1.00	LS		\$	
0620	02653		LANE CLOSURE - 120B00005N	2.00	EACH		\$	
0630	03293		EXPAN JOINT REPLACE 1 IN - 120B00005N	36.80	LF		\$	
0640	03298		EXPAN JOINT REPLACE 4 IN - 120B00005N	36.80	LF		\$	
0650	03299		ARMORED EDGE FOR CONCRETE - 120B00005N	73.50	LF		\$	
0660	03304		BRIDGE OVERLAY APPROACH PAVEMENT - 120B00005N	245.00	SQYD		\$	
0670	04933		TEMP SIGNAL 2 PHASE - 120B00005N	1.00	EACH		\$	
0680	06514		PAVE STRIPING-PERM PAINT-4 IN - 120B00005N	1,444.00	LF		\$	
0690	06549		PAVE STRIPING-TEMP REM TAPE-B - 120B00005N	1,000.00	LF		\$	
0700	06550		PAVE STRIPING-TEMP REM TAPE-W - 120B00005N	2,000.00	LF		\$	
0710	06551		PAVE STRIPING-TEMP REM TAPE-Y - 120B00005N	2,000.00	LF		\$	
0720	08150		STEEL REINFORCEMENT - 120B00005N	270.00	LB		\$	
0730	08504		EPOXY SAND SLURRY - 120B00005N	227.20	SQYD		\$	
0740	08510		REM EPOXY BIT FOREIGN OVERLAY - 120B00005N	754.00	SQYD		\$	

PROPOSAL BID ITEMS

192960

Page 4 of 4

Report Date 12/26/18

LINE	BID CODE	ALT	DESCRIPTION	QUANTITY	UNIT	UNIT PRIC	FP	AMOUNT
0750	08526		CONC CLASS M FULL DEPTH PATCH - 120B00005N	8.00	CUYD		\$	
0760	08534		CONCRETE OVERLAY-LATEX - 120B00005N	31.40	CUYD		\$	
0770	08549		BLAST CLEANING - 120B00005N	981.00	SQYD		\$	
0780	24094EC		PARTIAL DEPTH PATCHING - 120B00005N	8.00	CUYD		\$	
0790	24692EC		DECK DRAIN RETROFIT - 120B00005N	32.00	EACH		\$	
0800	24981EC		BRIDGE CLEANING - 120B00005N	1.00	LS		\$	
0810	24982EC		CONCRETE COATING - 120B00005N	1.00	LS		\$	
0820	24983EC		BEARING LUBRICATION - 120B00005N	8.00	EACH		\$	

Section: 0005 - DEMOB

LINE	BID CODE	ALT	DESCRIPTION	QUANTITY	UNIT	UNIT PRIC	FP	AMOUNT
0830	02569		DEMOBILIZATION	1.00	LS		\$	